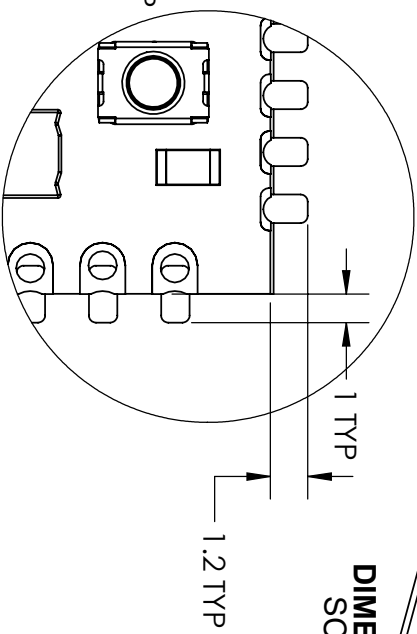
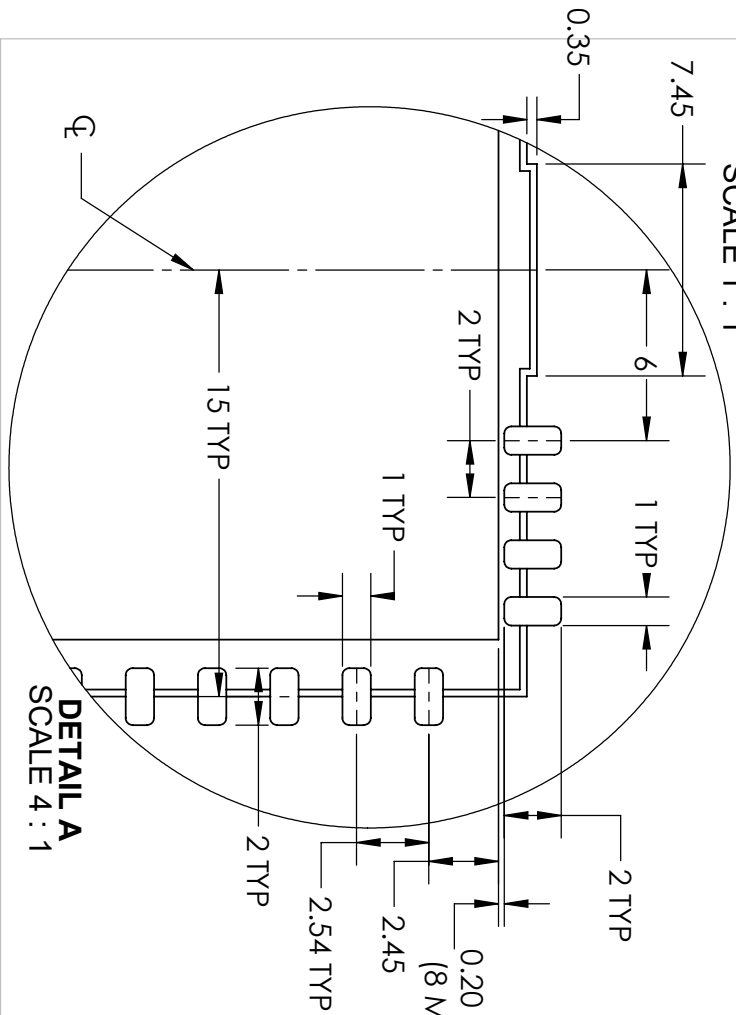
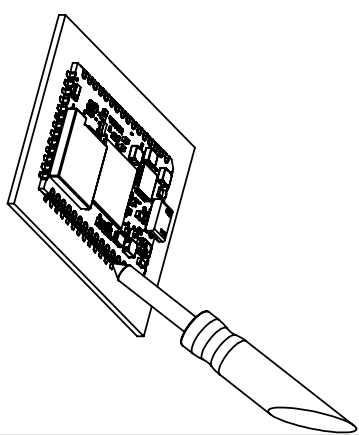
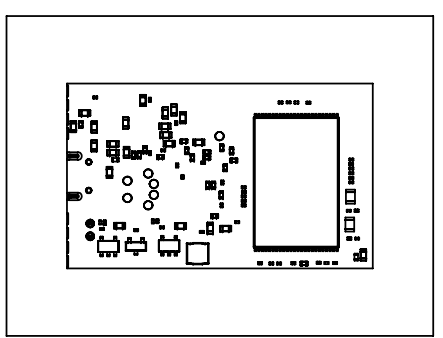
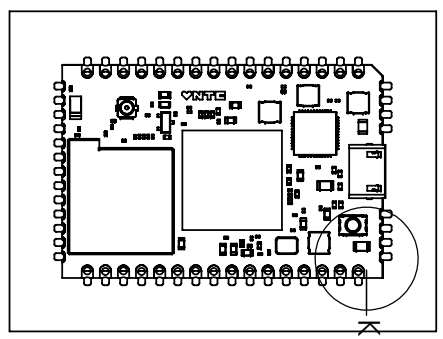
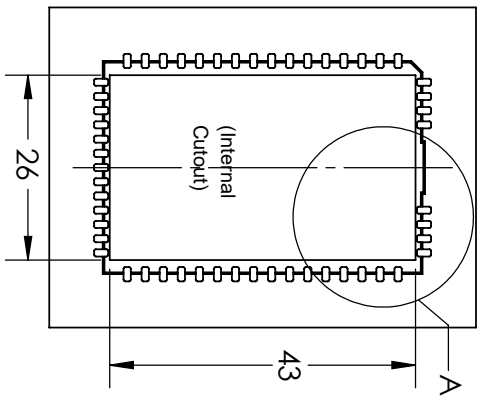


C.H.I.P. Pro Carrier Board - Hand Solder Footprint



NEXT/THING COMPANY

TITLE: C.H.I.P. Pro Carrier PCB Footprint		SHEET 2 OF 3		MATERIAL: N/A	
PART NO.: N/A		UNITS: mm		FINISH: N/A	
DATE: 6/6/2017		TOLERANCE: +/- 0.1 mm		COLOR: N/A	
REVISION: V1.0		CONTACT:		PHONE NO.:	
EMAIL: pro@nextthing.co					