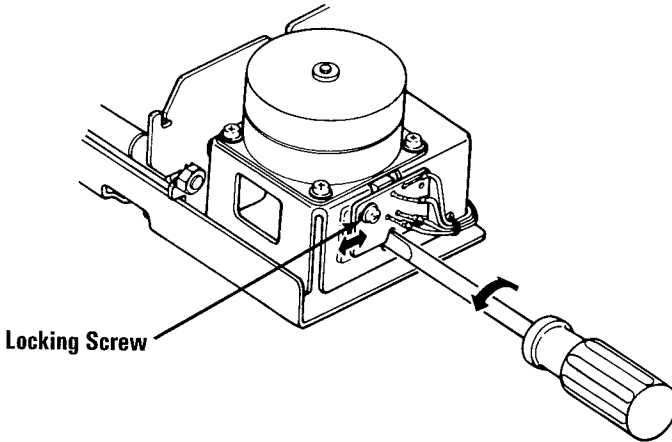


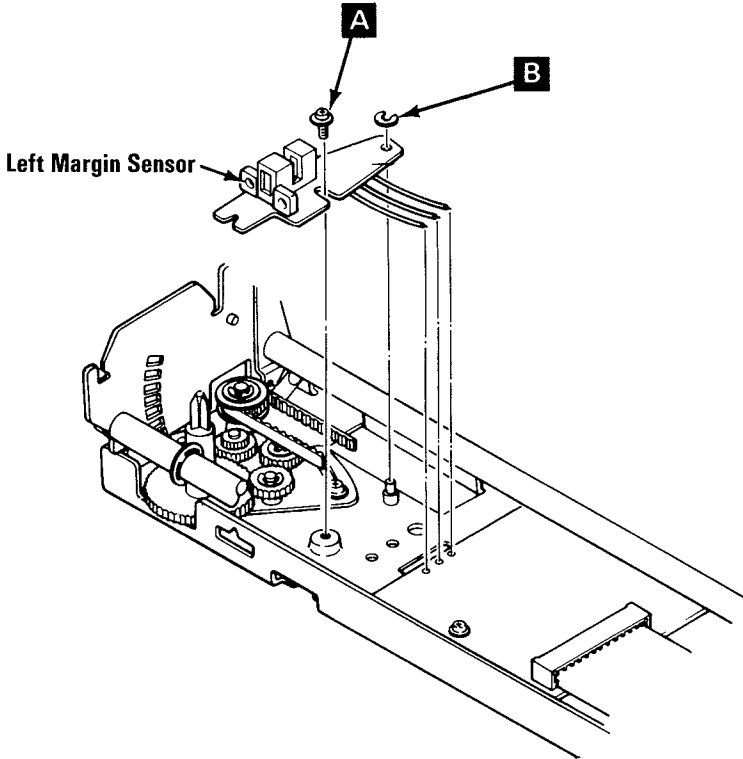
22. Tighten the printer timing sensor locking screw and recheck step 21. Realign if necessary.



Adjustments of PTS Sensor Board

23. Run the "Printer Offline Diagnostic Test" and observe the speed in both directions.
24. If the buzzer sounds the printer timing sensor board is set incorrectly. Repeat the procedure starting at step 18.
25. If the speed is different between forward and reverse printing, perform the following steps.
 - a. Place the positive (+) lead of the voltage meter on the yellow wire solder connection on the printer timing sensor board.
 - b. Loosen the printer timing sensor board locking screw.
 - c. Move the printer timing sensor board until another up level location is observed and repeat the procedure from step 21.
26. If it is the same speed in both directions, the adjustment is complete.

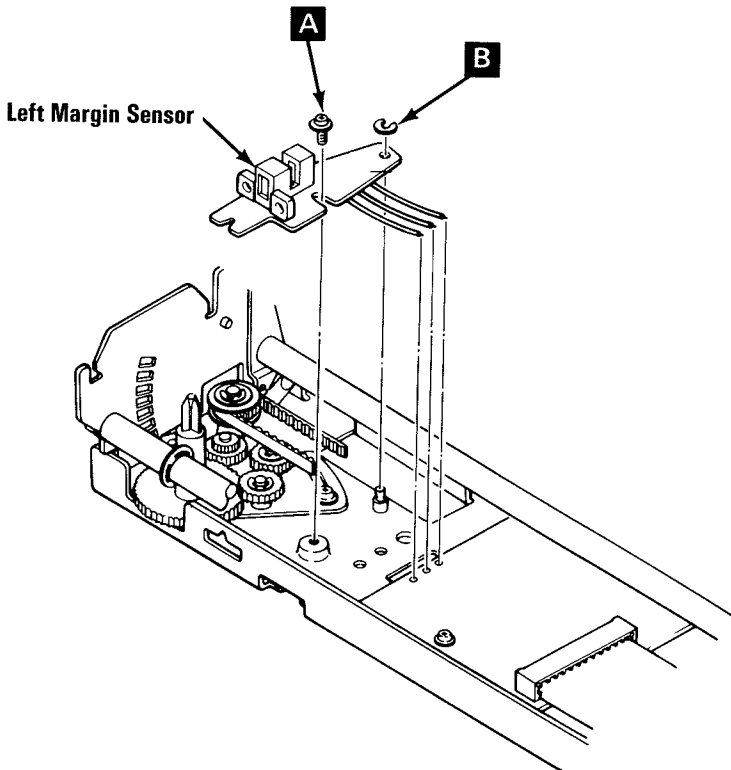
1. Set printer Power switch to OFF; unplug printer power cord from wall outlet and disconnect printer cable.
2. Remove forms.
3. Remove forms rack (5640).
4. Remove access cover (5630).
5. Remove ribbon cartridge.
6. Remove top cover (5630).
7. Move carriage to right frame.
8. Remove retaining screw **A** and retaining clip **B**.
9. Unsolder three wires from left margin sensor.
10. Lift left margin sensor from printer.



Left Margin Sensor Replacement

5670

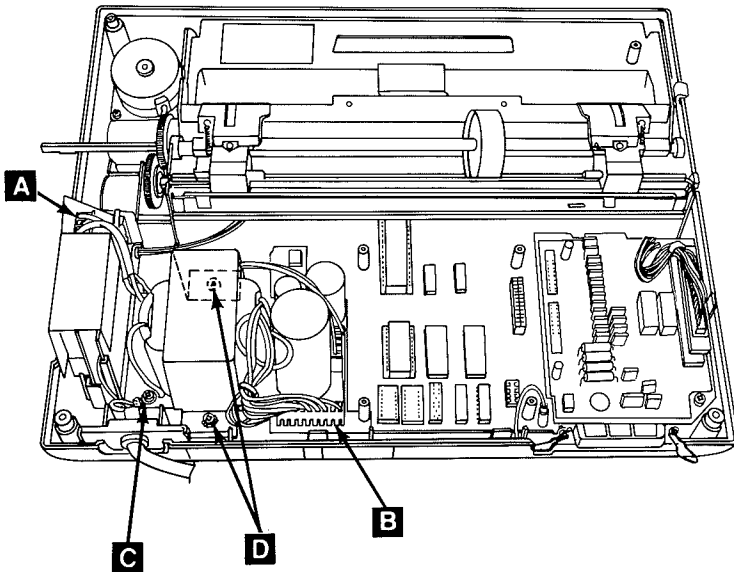
1. Solder three wires from terminal board to left margin sensor.
2. Position left margin sensor pivot hole over post.
3. Replace retaining screw **A** and retaining clip **B**.
4. Readjust left margin sensor (5670).
5. Replace top cover (5630).
6. Replace ribbon cartridge.
7. Replace access cover (5630).
8. Replace forms rack (5640).



1. Set printer Power switch to OFF; unplug printer power cord from wall outlet and disconnect printer cable.
2. Remove forms.
3. Remove forms rack (5640).
4. Remove access cover (5630).
5. Remove top cover (5630).

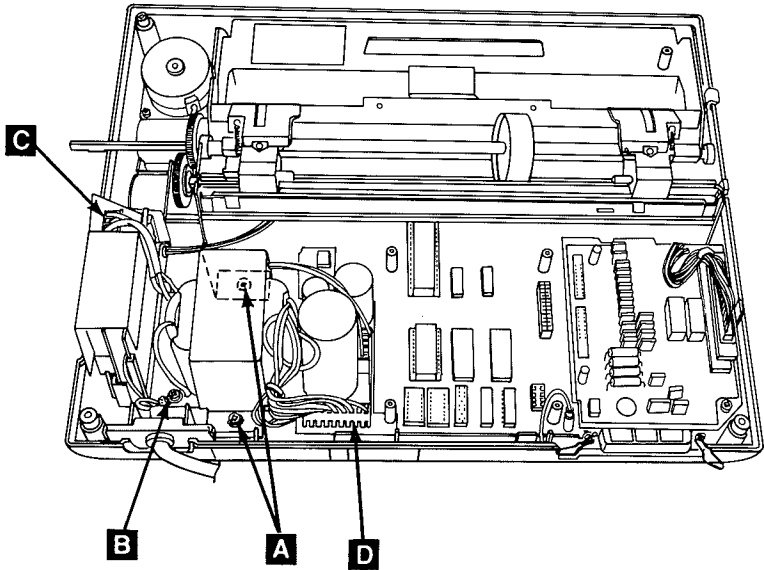
DANGER: Static Voltage May Be Present On The Fuse-Filter Card. Use Caution In This Area.

6. Unplug connector **A** from fuse-filter card.
7. Unplug connector **B** from control circuit card.
8. Remove screw **C** from transformer ground wire.
9. Remove two screws **D** from base of transformer.
10. Lift transformer from base.



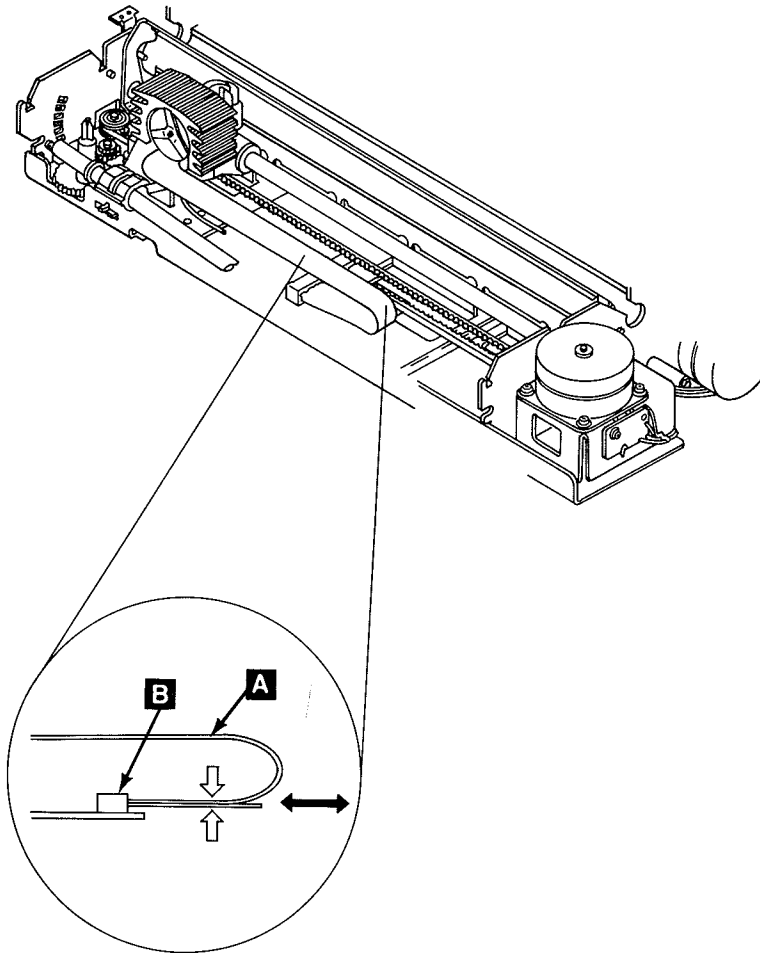
Power Transformer Replacement 5675

1. Place transformer on base in area next to fuse-filter card (note positioning of two connectors).
2. Install two base mounting screws **A**.
3. Install screw in ground wire **B**.
4. Plug connector **C** into fuse-filter card.
5. Plug connector **D** into control circuit card.

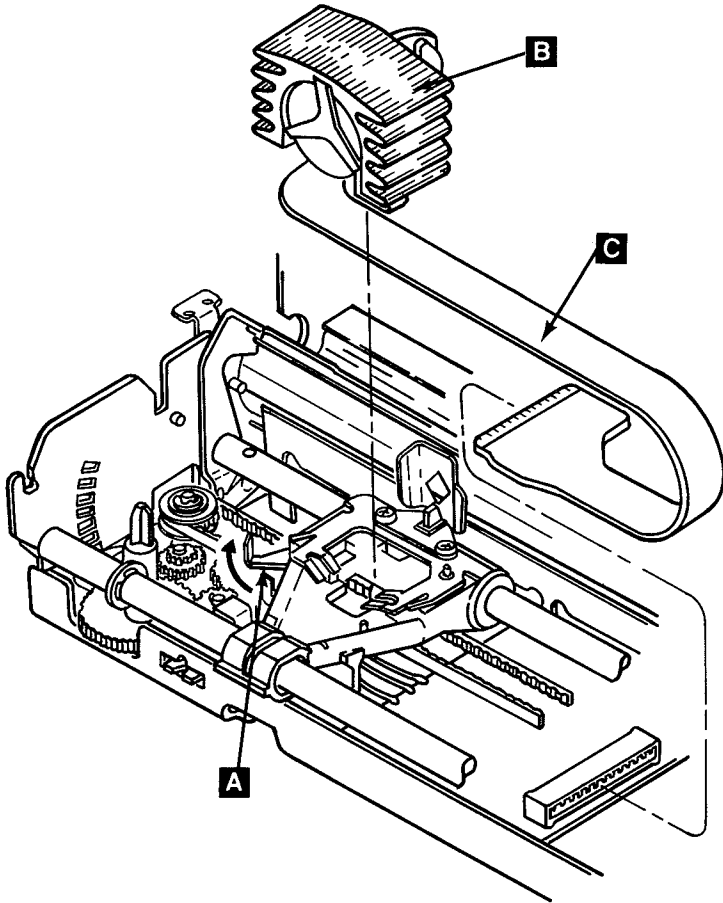


6. Replace top cover (5630).
7. Replace access cover (5630).
8. Replace forms rack (5640).

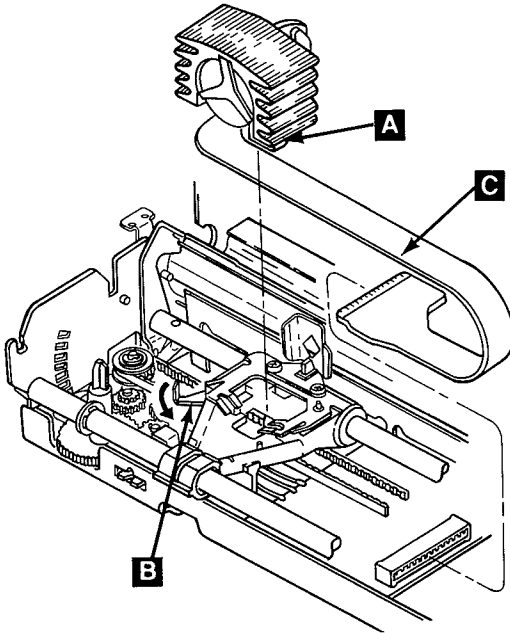
1. Set printer Power switch to OFF; unplug printer power cord from wall outlet and disconnect printer cable.
2. Remove forms rack (5640).
3. Remove access cover (5630).
4. Remove ribbon cartridge.
5. Remove top cover (5630).
6. Pull print head cable **A** from connector **B**.



7. Pivot print head lock lever **A** clockwise.
8. Lift print head **B** and cable **C** from carriage.



1. Insert feet **A** on print head into opening on carriage.
2. Pivot lock lever **B** counterclockwise while pressing down on print head.
3. Connect print head cable **C** at connector.
4. Replace top cover (5630).
5. Replace ribbon cartridge.
6. Replace access cover (5630).
7. Replace forms rack (5640).



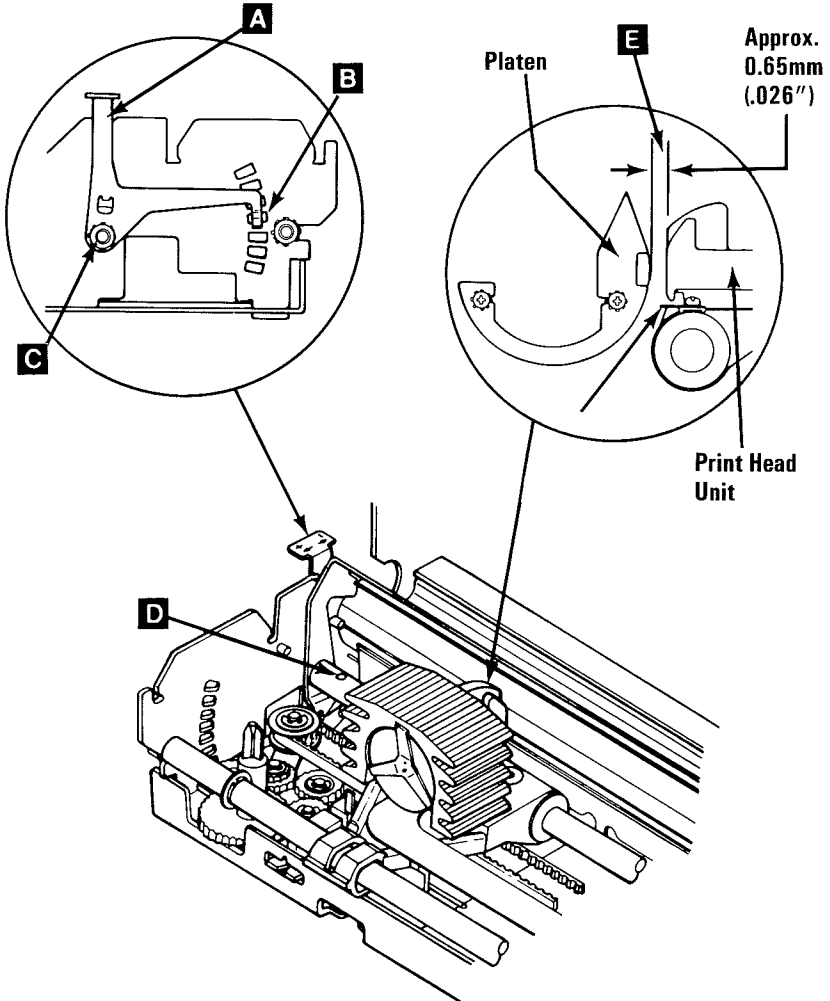
Note: Broken wires may be the result of other problems. If a print head has been replaced because of a broken wire, perform the following steps to prevent damaging the newly installed print head.

1. Remove the top cover. Disconnect CN6 on the driver control card. Check for 22 ohms resistance between pin CN6-10 (male end) and pins CN6-1 through 9. Replace the print mechanism assembly if there are any shorts or opens.
2. Power on. Check for +24 Vdc at pins CN6-1 through 9 on driver card (use ground pin for common lead). If any pin has +24 Vdc, replace the control cards. If all pins read 0 Vdc, power off and reconnect CN6. Print head circuitry is functional.

Print Head Gap Adjustment

5680

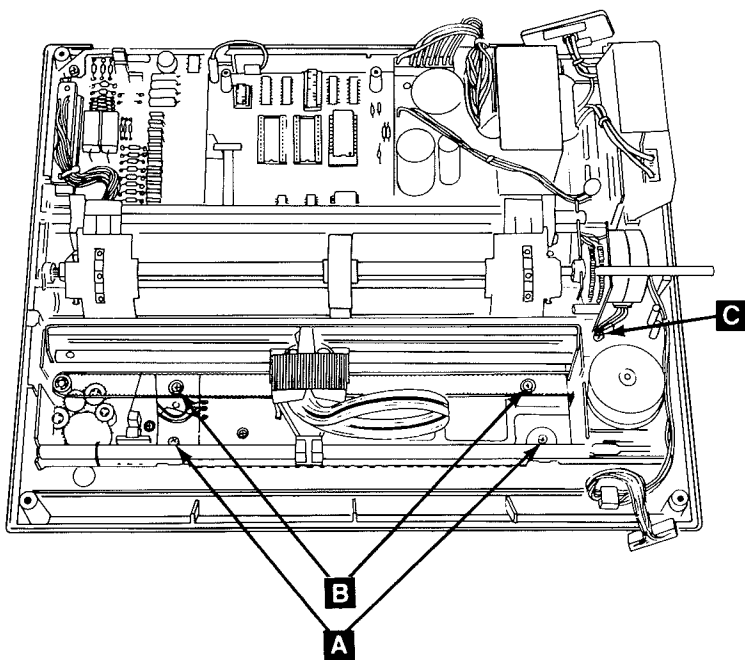
1. Remove print mechanism assembly (5685).
2. Set print head gap adjusting lever **A** to the fourth position **B**.
3. Loosen nut **C**.
4. Rotate carriage shaft **D** to obtain .65mm gap (.026") between print head and platen **E**.
5. Tighten nut **C**.
6. Replace print mechanism assembly (5685).



Print Mechanism Assembly Removal

5685

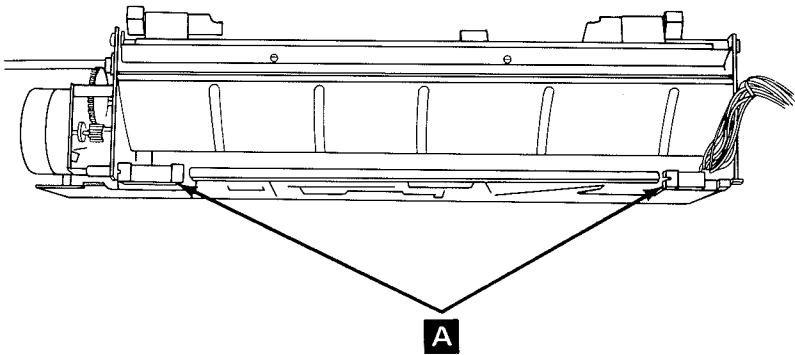
1. Set printer Power switch to OFF; unplug printer power cord from wall outlet and disconnect printer cable.
2. Remove forms.
3. Remove forms rack (5640).
4. Remove access cover (5630).
5. Remove ribbon cartridge.
6. Remove top cover (5630).
7. Remove driver circuit card (5620).
8. Remove control circuit card (5615).
9. Remove two screws **A** from base of Print Mechanism assembly.
10. Remove shipping screws **B** if still installed.
11. Remove screw **C** from ground strap.
12. Lift print mechanism assembly from base cover.



Print Mechanism Assembly Replacement

5685

1. Verify that the rubber grommets **A** are in position shown.

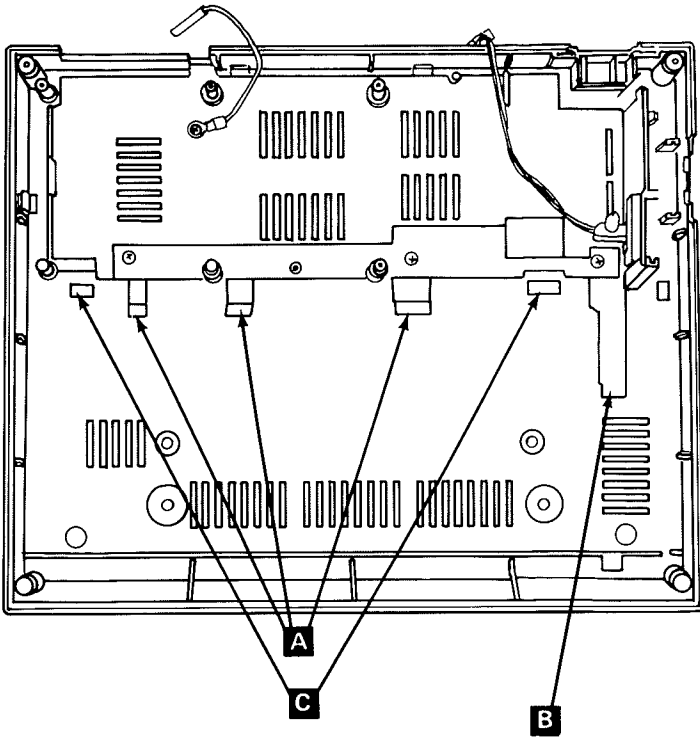


(Rear View)

Print Mechanism Assembly Replacement (cont.)

5685

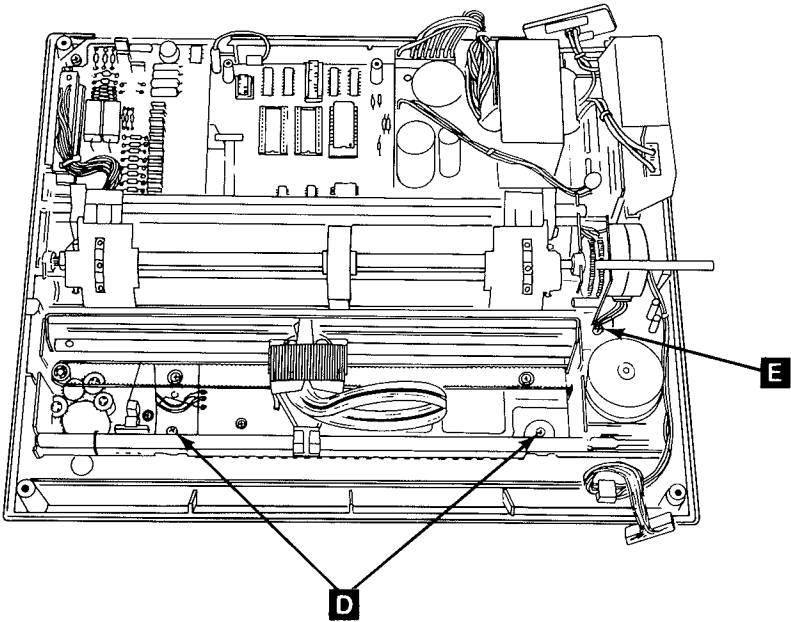
2. Place print mechanism assembly on base cover.
3. Slide print mechanism assembly toward the rear over three grounding tabs **A** and under ground strap **B**.
4. Position rubber grommets around plastic stops **C**.



Print Mechanism Assembly Replacement (cont.)

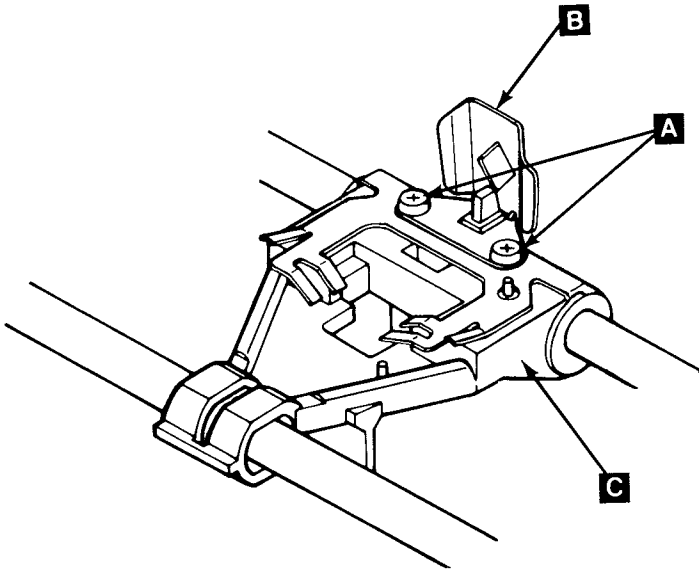
5685

5. Install two screws **D**.



6. Install screw **E** in ground strap.
7. Replace control circuit card (5615).
8. Replace driver circuit card (5620).
9. Replace top cover (5630).
10. Replace ribbon cartridge.
11. Replace access cover (5630).
12. Replace forms rack (5640).

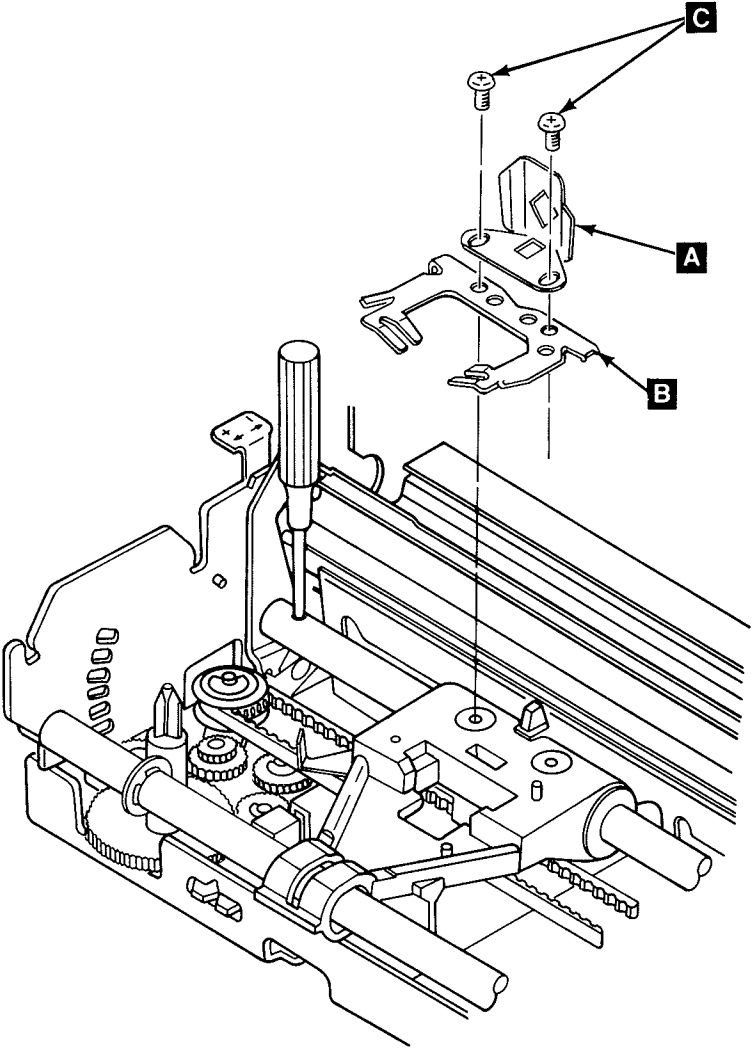
1. Set printer Power switch to OFF; unplug printer power cord from wall outlet and disconnect printer cable.
2. Remove forms.
3. Remove forms rack (5640).
4. Remove ribbon cartridge.
5. Remove access cover (5630).
6. Remove top cover (5630).
7. Remove print head (5680).
8. Remove two screws **A** at base of ribbon shield **B**.
9. Lift shield straight up from carriage **C**.



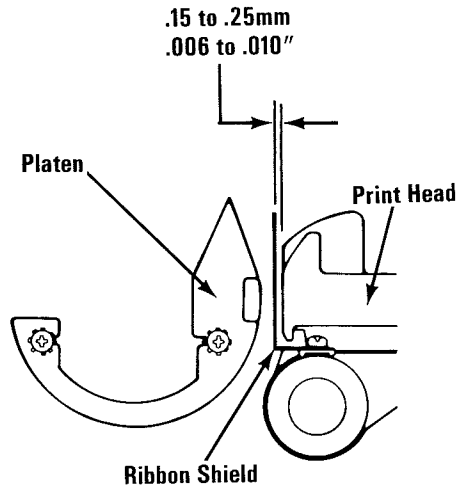
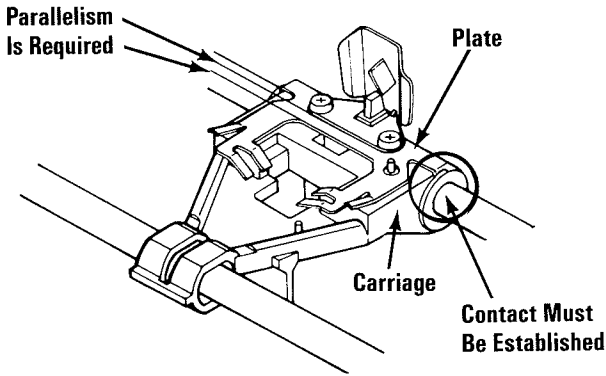
Ribbon Shield Replacement

5690

1. Position shield **A** and plate **B** on print head carriage.
2. Insert screws **C** . (Do not tighten.)



3. Position shield and plate as shown. Tighten screws.



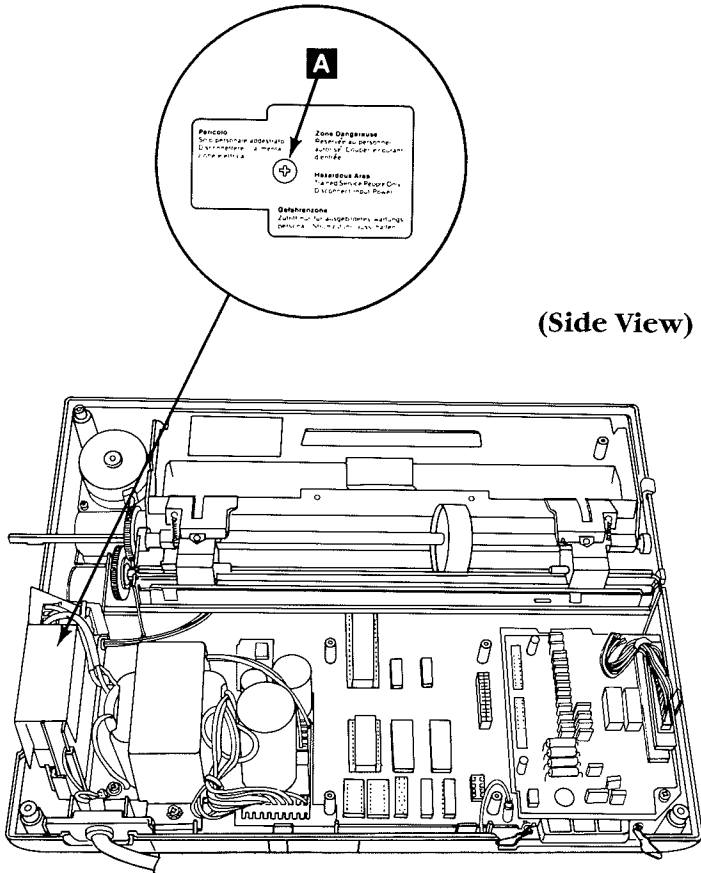
(Left View)

4. Replace print head (5680).
5. Replace top cover (5630).
6. Replace ribbon cartridge.
7. Replace access cover (5630).
8. Replace forms rack (5640).

1. Set printer Power switch to OFF; unplug Printer power cord from wall outlet and disconnect printer cable.
2. Remove forms.
3. Remove forms rack (5640).
4. Remove access cover (5630).
5. Remove top cover (5630).

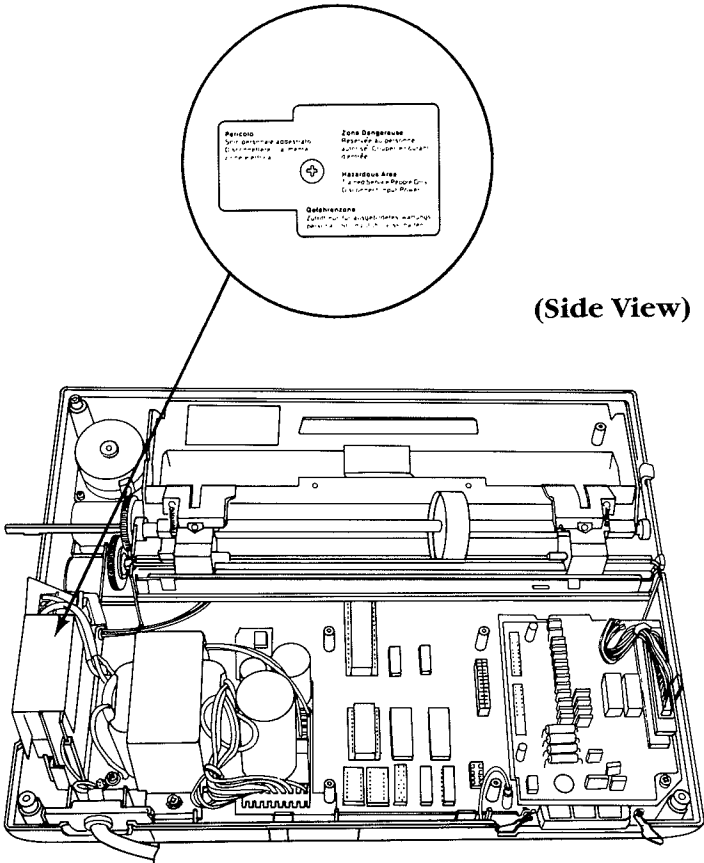
DANGER: Static voltage may be present on the fuse-filter card. Use caution in this area.

6. Loosen screw **A**.
7. Lift safety shield from fuse-filter card.



DANGER: Static voltage may be present on the fuse-filter card.
Use caution in this area.

1. Position safety shield on fuse-filter card.
2. Install screw .



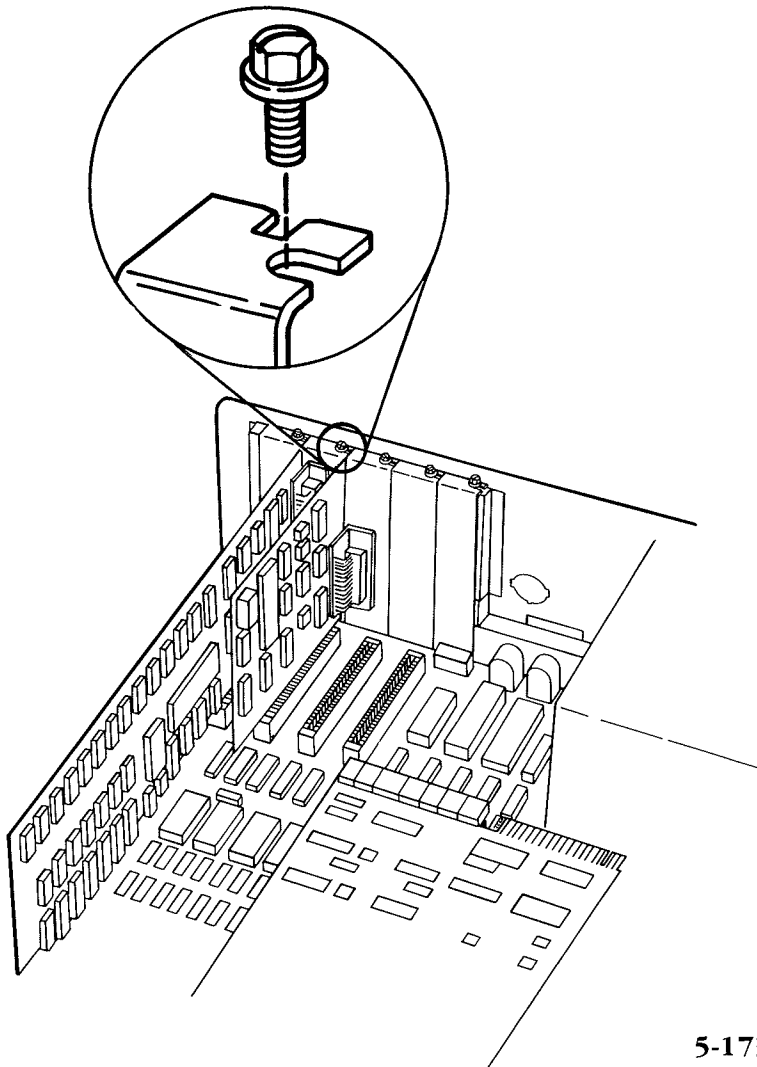
3. Replace top cover (5630).
4. Replace access cover (5630).
5. Replace forms rack (5640).

Option Adapters

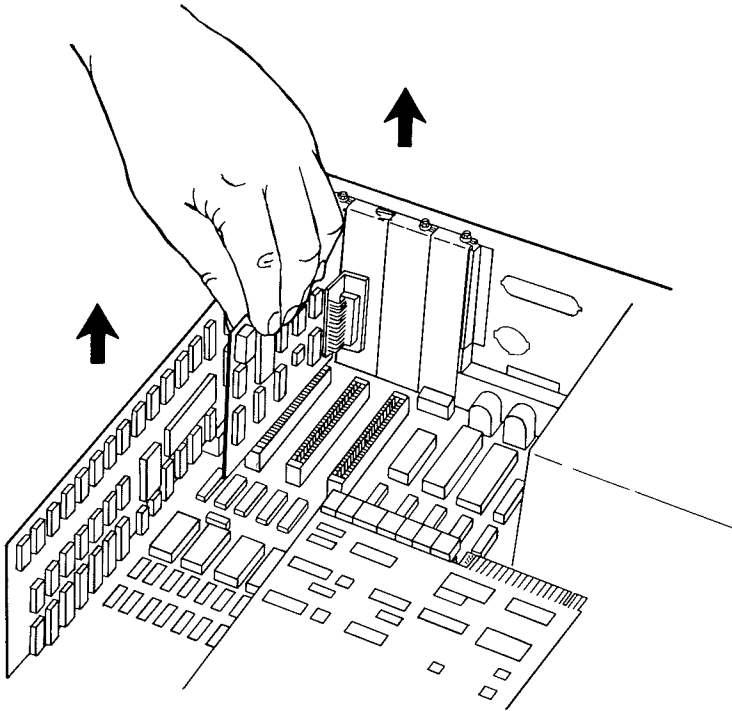
Option Adapters Removal

5800

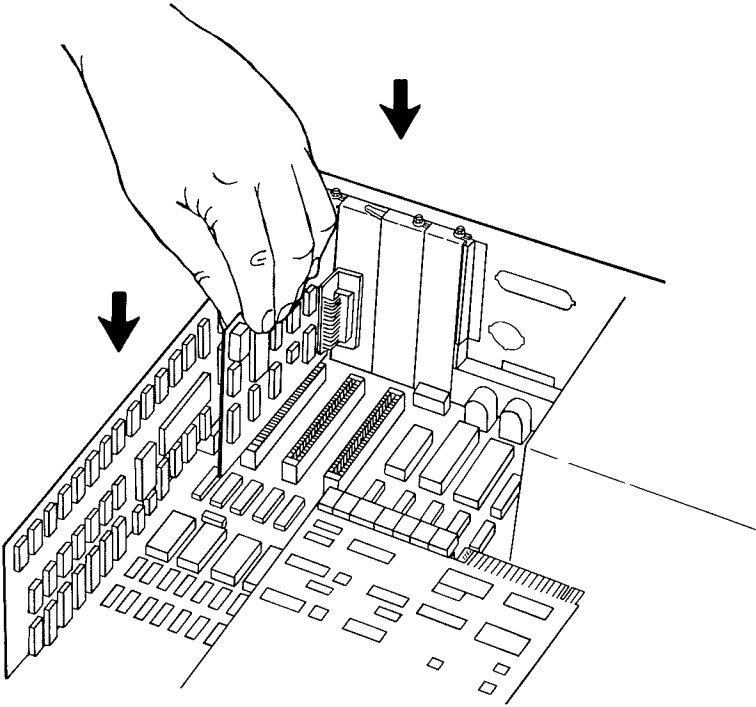
1. Set the Power switch on the system unit (and expansion unit, if attached) to Off.
2. Unplug the system unit's (and expansion unit's) power cord(s) from the wall outlet and disconnect all cables from rear of the unit(s).
3. Remove the unit cover (5900).
4. Remove the option adapter mounting screw.



- 5. Grasp the option adapter by the top corners and lift straight up.

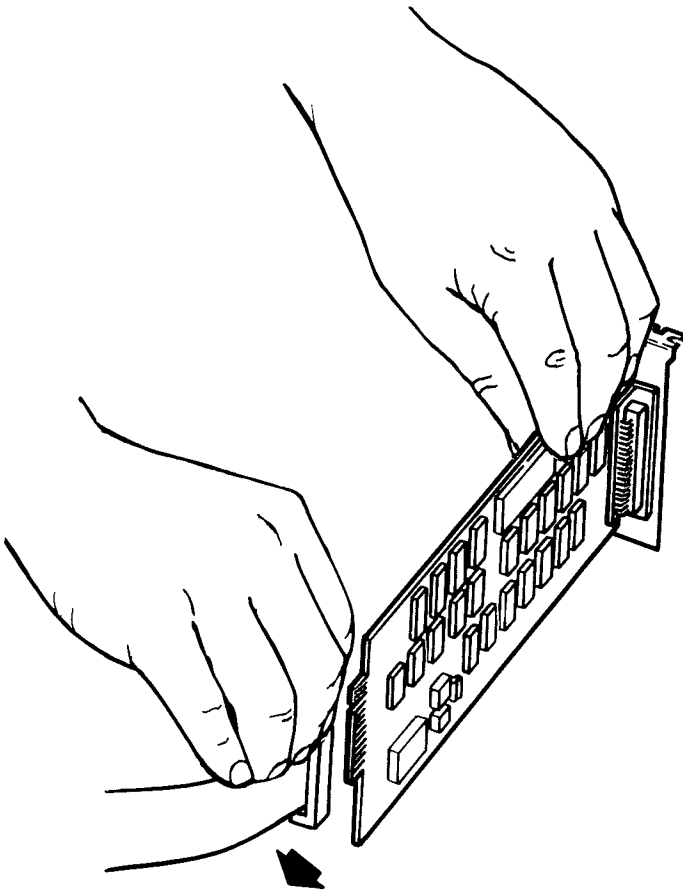


1. Insert the option adapter into an option expansion slot. Press down firmly on the option adapter to seat the connector.



2. Install the option adapter mounting screw.
3. Replace the unit cover (5900).

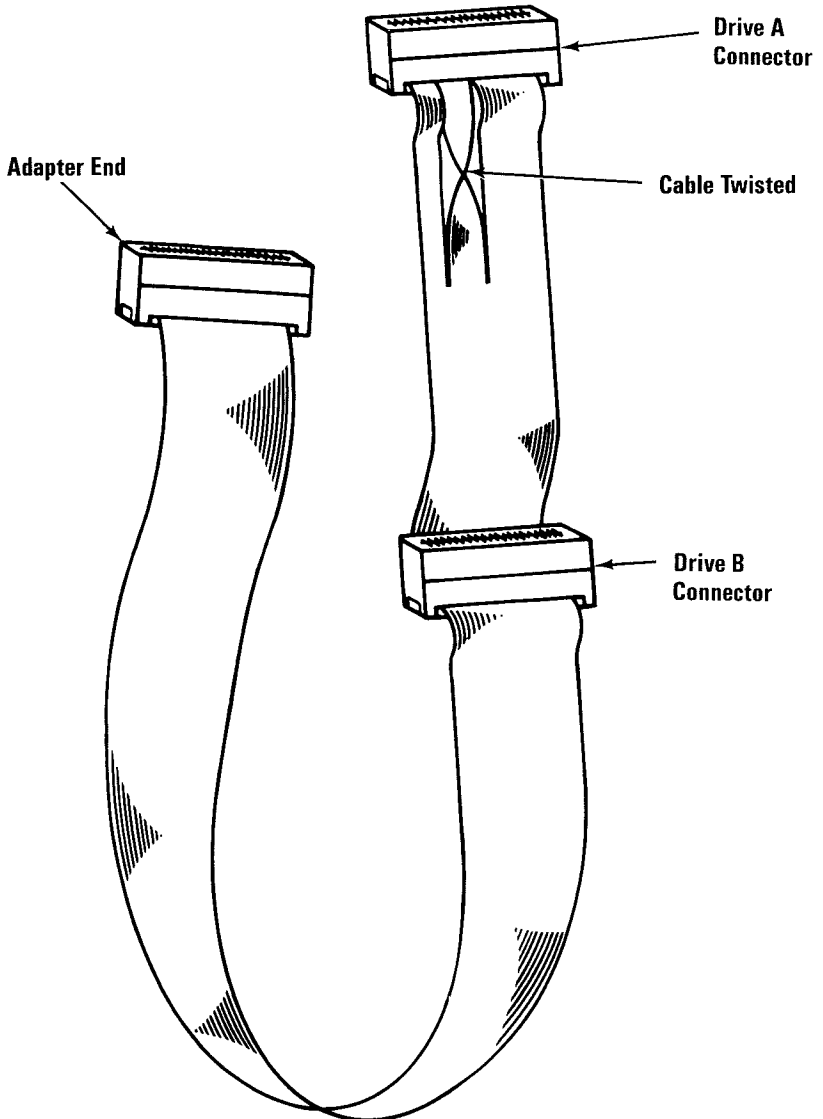
1. Set the Power switch on the system unit (and expansion unit, if attached) to Off.
2. Unplug system unit's (and expansion unit's) power cord(s) from the wall outlet and disconnect all cables from rear of the unit(s).
3. Remove unit cover (5900).
4. Remove the diskette adapter mounting screw.
5. Grasp the diskette adapter by the top corners and lift straight up.
6. Disconnect the signal cable from the diskette adapter.



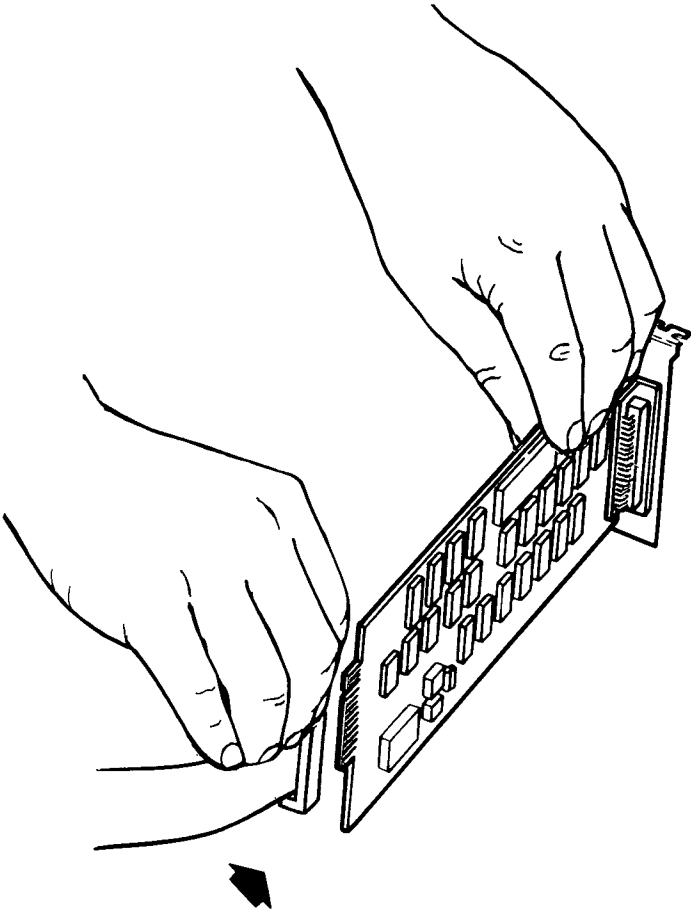
Diskette Drive Adapter Replacement

5810

1. Familiarize yourself with the signal cable before installing the connector.



2. Connect the adapter end of the signal cable to the diskette adapter.

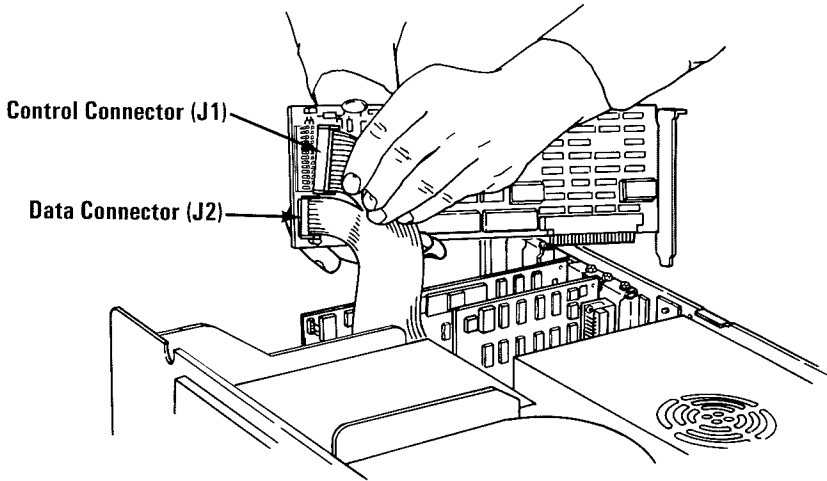


3. Insert the diskette adapter into the option expansion slot. Press down firmly on the diskette adapter to seat the connector.
4. Install the diskette adapter mounting screw.
5. Replace the unit cover (5900).

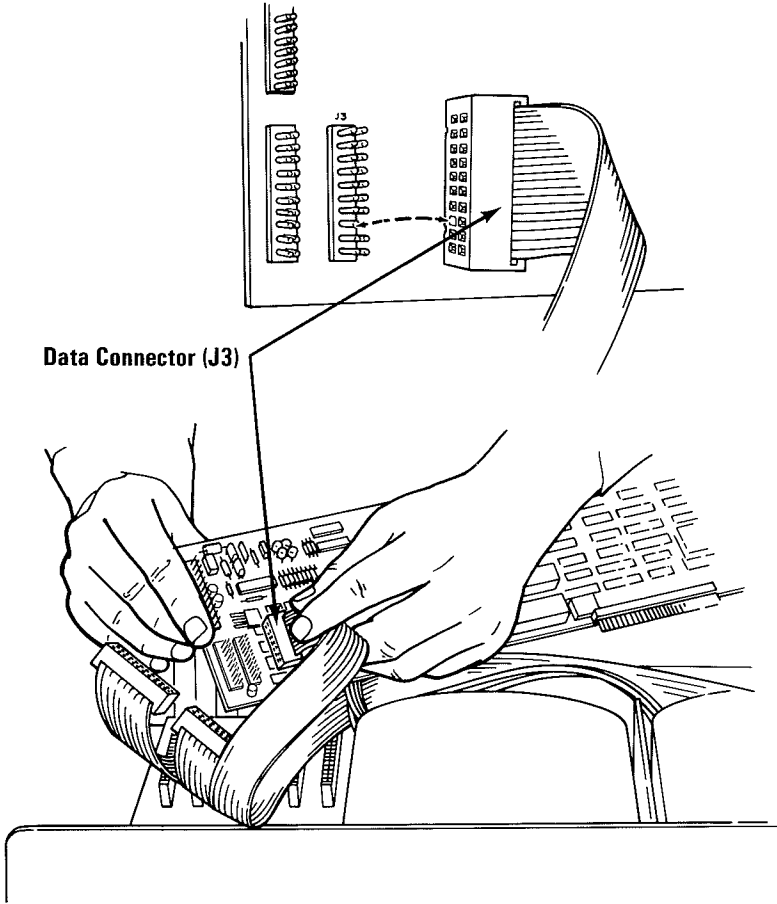
Fixed Disk Drive Adapter Removal

5820

1. Set the Power switch on the system unit (and expansion unit, if attached) to Off.
2. Unplug the system unit's (and expansion unit's) power cord(s) from the wall outlet and disconnect all cables from the rear of the unit(s).
3. Remove the expansion unit cover (5900).
4. Remove the disk adapter mounting screw (5800).
5. Grasp the disk adapter by the top corners and lift straight up.
6. Remove the J2 data connector and the J1 control connector.



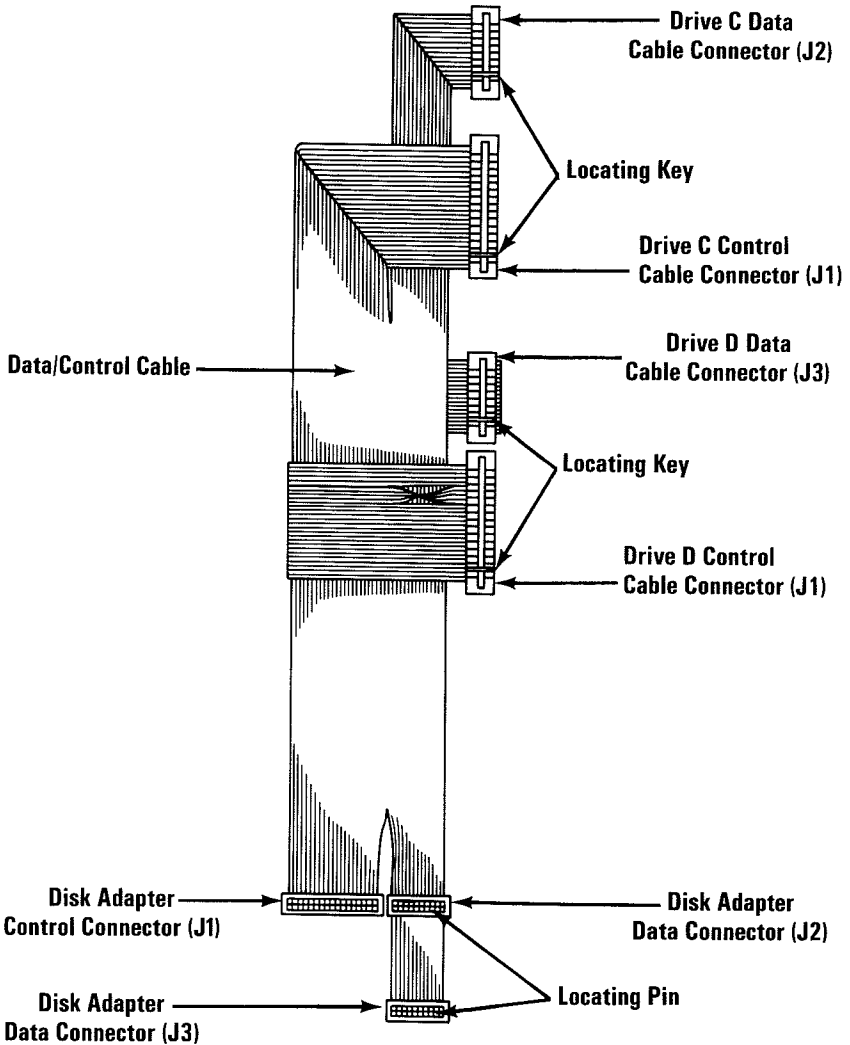
7. If two fixed disk drives are installed, remove the J3 data connector.



Fixed Disk Drive Adapter Replacement

5820

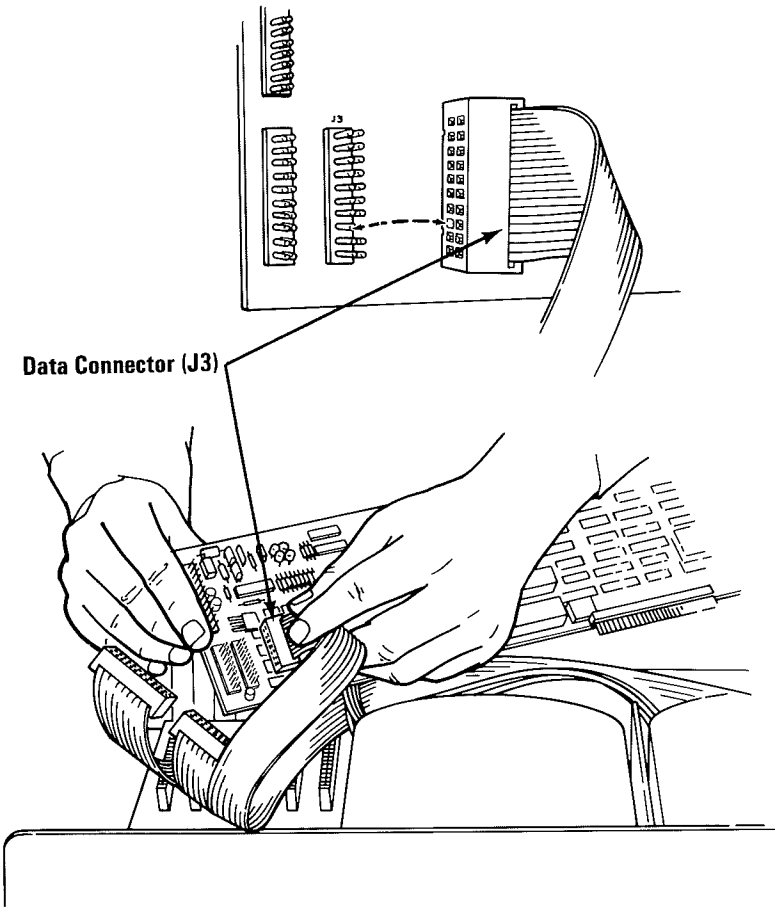
1. Familiarize yourself with the data/control cable before starting the installation.



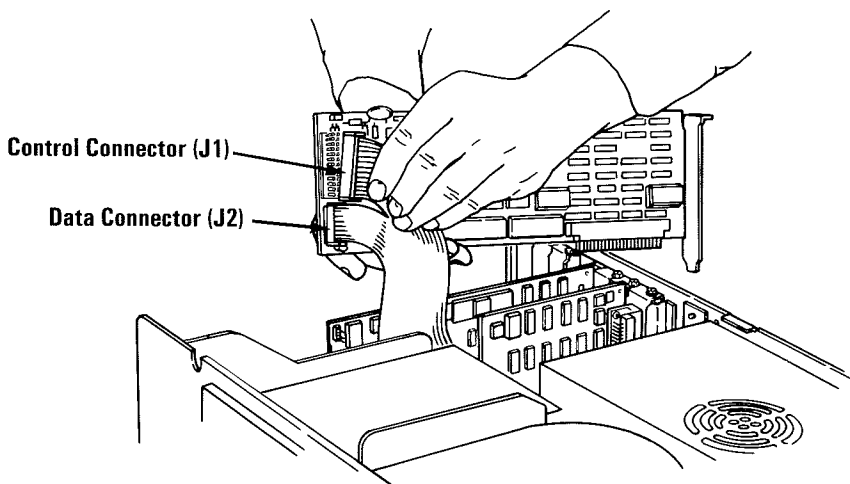
Fixed Disk Drive Adapter Replacement (cont.)

5820

2. If two fixed disk drives are installed, connect the J3 data connector.



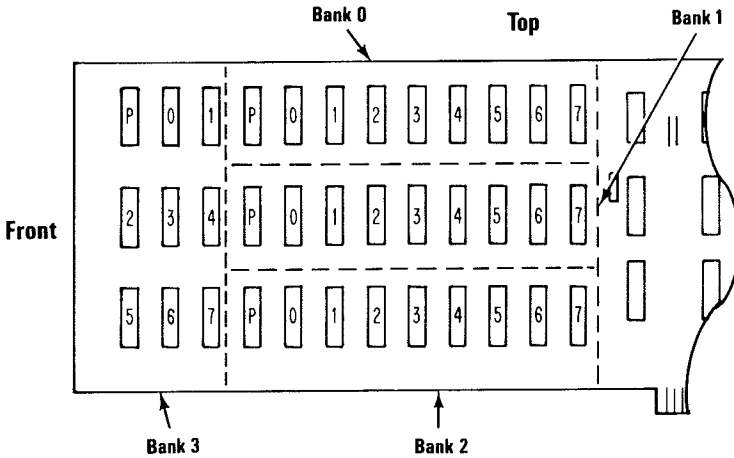
3. Connect the J1 control connector and the J2 data connector.



4. Insert the disk adapter into the option expansion slot. Press down firmly on the disk adapter to seat the connector.
5. Install the disk adapter mounting screw.
6. Replace the unit cover (5900).

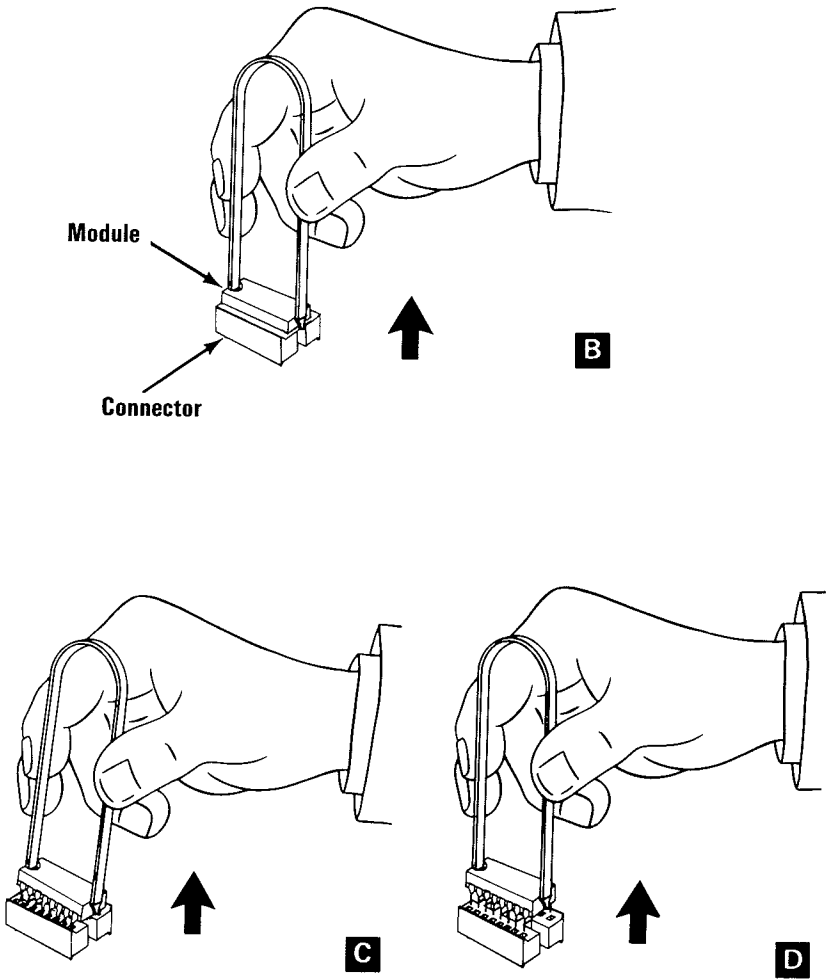
1. Set the Power switch on the system unit (and expansion unit, if attached) to Off.
2. Set all external Power switches to Off (printer, display, etc.).
3. Unplug system unit's (and expansion unit's) line cord(s) from the wall outlet.
4. Disconnect all cables from the rear of the system unit.
5. Remove the system unit cover (5900).
6. Remove the 64/256KB Memory Option Adapter (5800).
7. Locate the module in bank 0, bank 1, bank 2, or bank 3 to be removed. (If you are not certain which module needs to be replaced, refer to PIC 3-200-1, "Memory" to determine which module is failing.)

Note: If the module to be replaced is on the system board, see Memory Module Removal (5920).



64KB Memory Module Removal (cont.) 5830

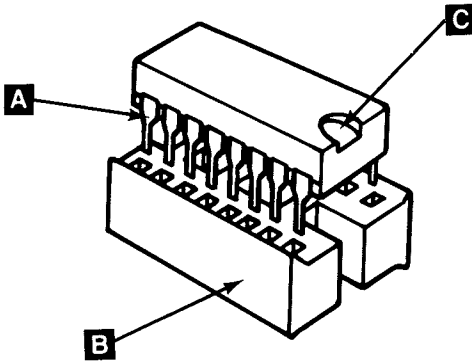
8. To separate the module from the connector, grasp the module as shown in **B**. Lift in a two step motion, as shown in **C** and **D**, to avoid bending pins.



64KB Memory Module Replacement

5830

1. Align the module pins **A** with the connector **B** and firmly press the module into place. Notch **C** on the module should be aligned with the notch in the connector.
2. Replace all option adapters (**5800**). Use the notes you made in the removal procedure to replace the option adapters in the right slots.
3. Replace the system unit cover (**5900**).
4. Recable the system.

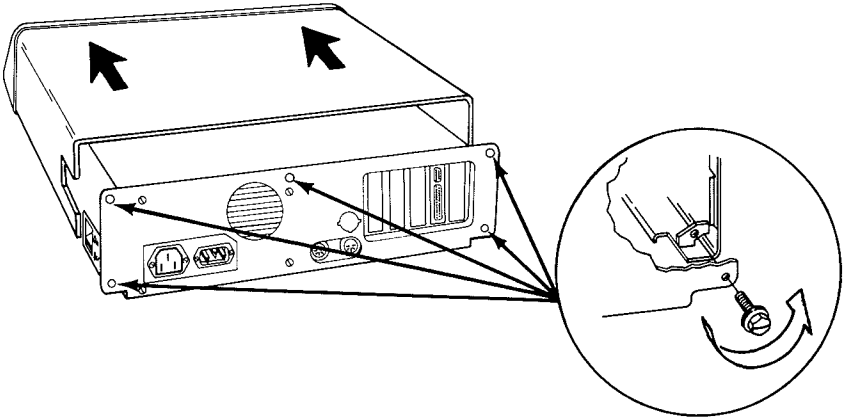


System Unit

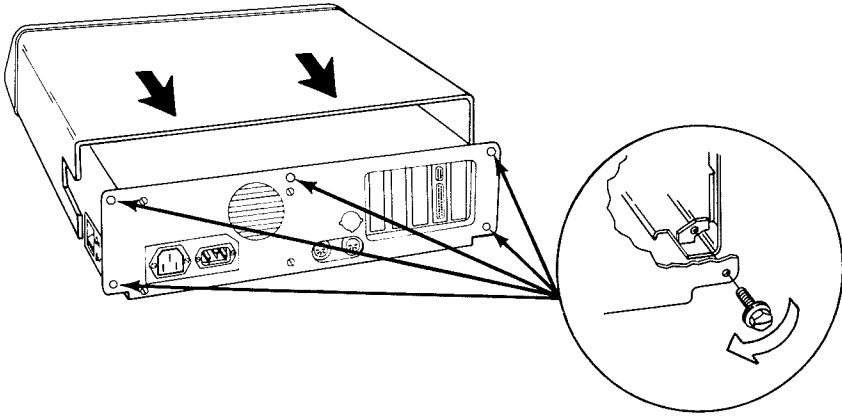
Cover Removal

5900

1. Set the system unit Power switch to Off, then unplug power cord and disconnect all cables from the rear of the unit.
2. Set all external options away from the work surface.
3. Remove the cover mounting screws and slide the cover towards the front until it clears the unit.



1. Slide the cover towards the rear of the unit.
2. Align the mounting screws with the threaded tabs and tighten.
3. Reconnect the cables to the system unit.

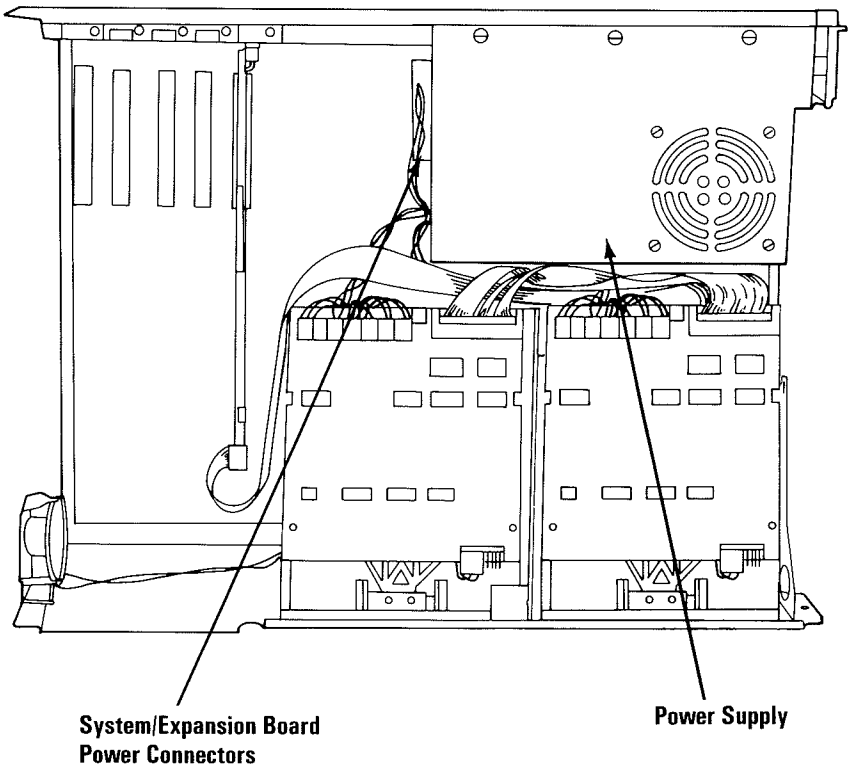


Power Supply Removal

5910

1. Set the Power switch on the system unit (and the expansion unit, if attached) to Off.
2. Unplug system unit's (and expansion unit's) power cord(s) from the wall outlet, then unplug the power cord from the rear of the system/expansion unit.
3. Remove the system/expansion unit cover (5900).
4. Disconnect the system/expansion board power connectors by grasping the connectors and pulling straight up.

WARNING: Do not pull on the wires when disconnecting connectors.

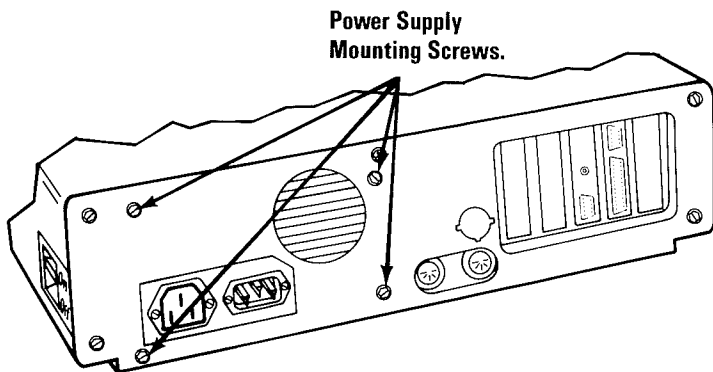


**System Unit
(Top View)**

5. Disconnect the fixed disk drive/diskette drive power connectors. See Section 4, "Locations."
6. Remove the four power supply mounting screws.

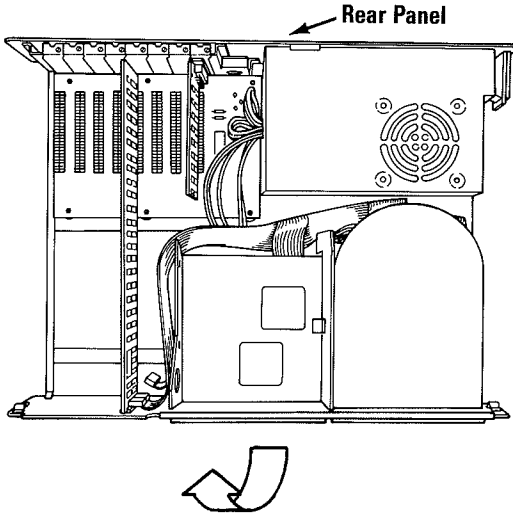
If you are replacing the system unit power supply, continue with step 11.

If you are replacing the expansion unit power supply, continue with step 7.

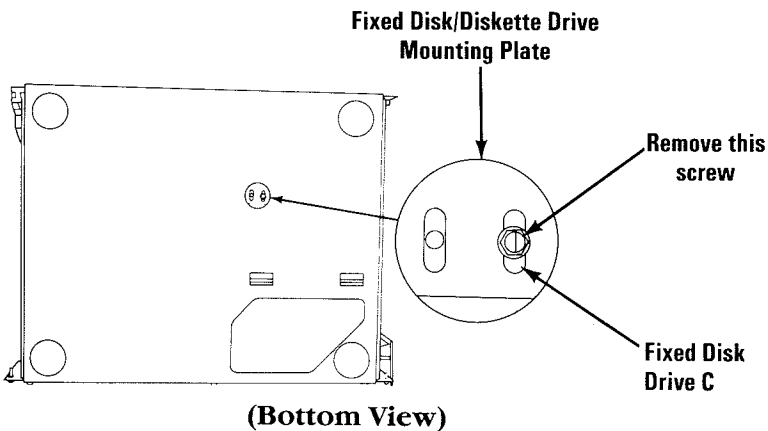


(Rear View)

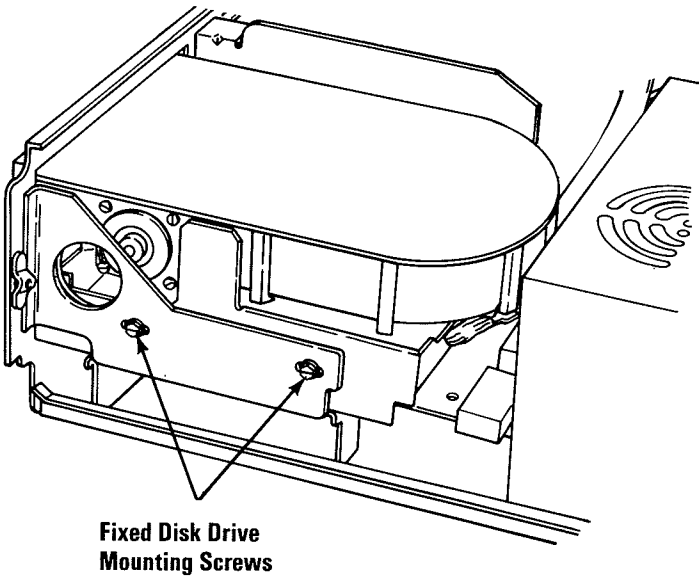
7. Hold the expansion unit by the front panel and tilt up until it rests on the rear panel.



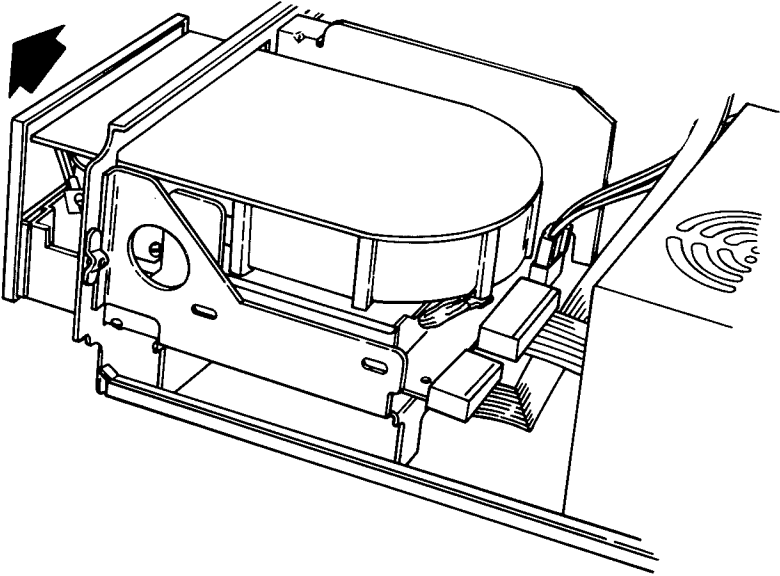
8. Remove the fixed disk mounting plate screw (turn counterclockwise) with a flat-blade screwdriver or 3/16" nutdriver.



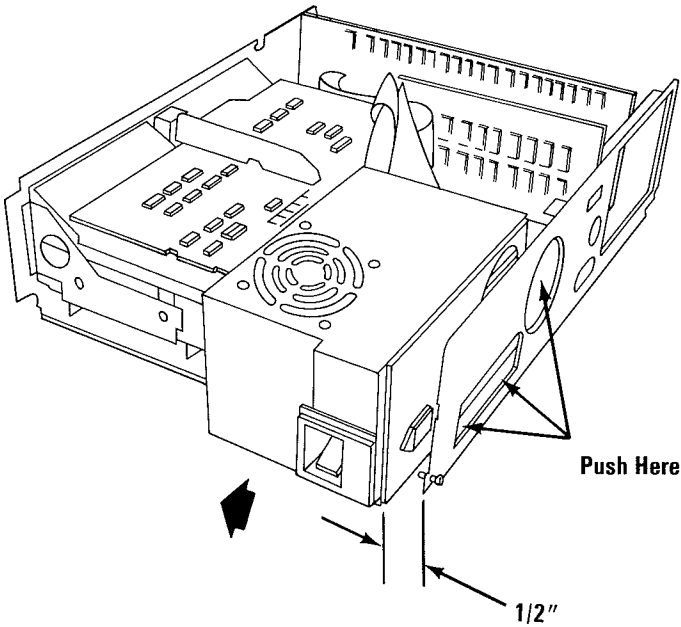
9. Remove the 2 fixed disk drive mounting screws.



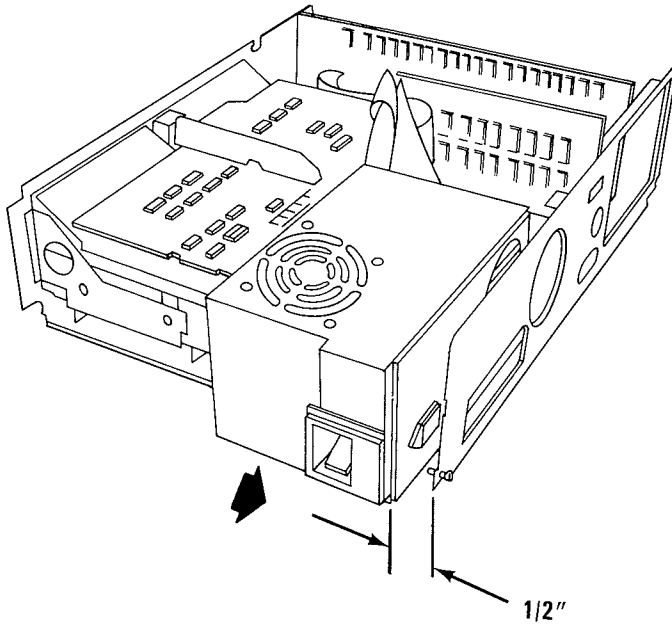
- 10. Slide the fixed disk drive assembly to the front of the machine about one inch.



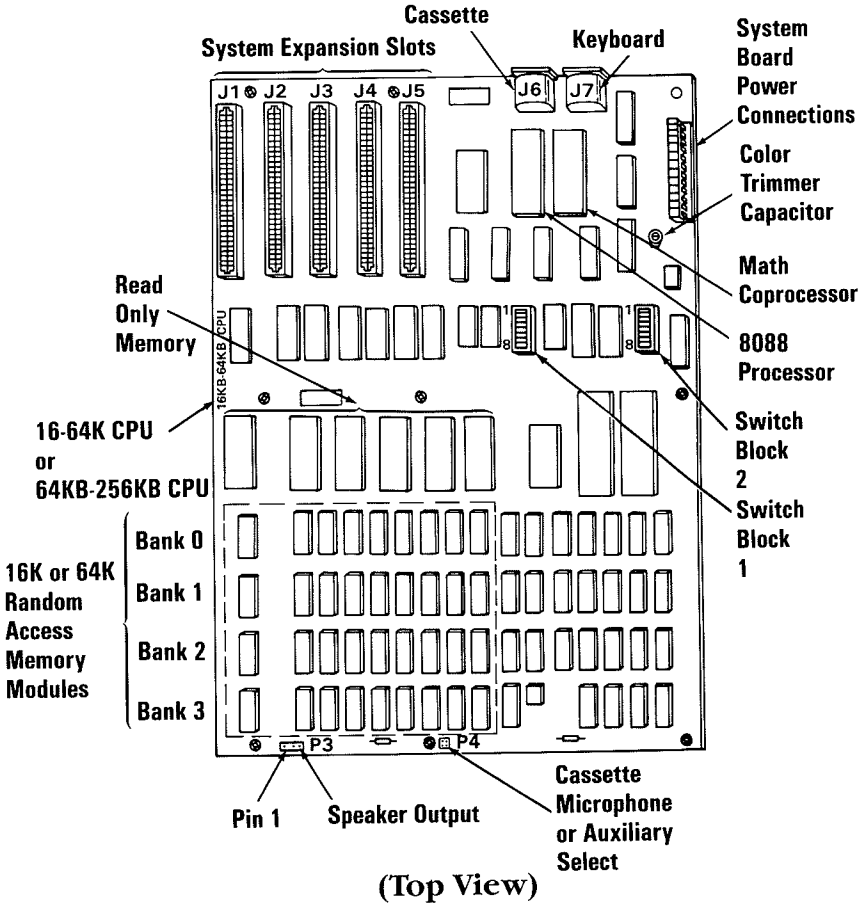
- 11. Push the power supply forward about 1/2" lift up and remove.



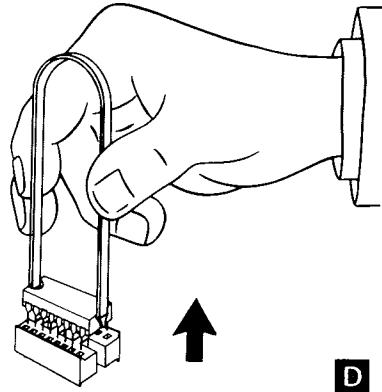
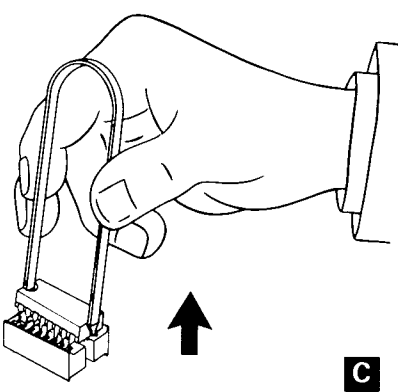
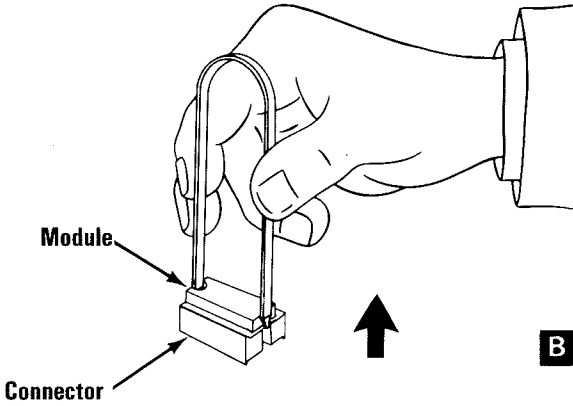
1. Position the power supply about 1/2" from the rear of the system/expansion unit back plate and slide into position.
2. Align the screw holes in the power supply with the rear frame.
3. Replace and tighten the four power supply mounting screws.
4. Reinstall the fixed disk drive if removed (expansion unit), and reconnect the fixed disk drive/diskette drive power connectors.
5. Reinstall the system/expansion board power connectors.
6. Replace fixed disk drive (5200).
7. Replace unit cover (5900).
8. Reconnect cables to the unit.



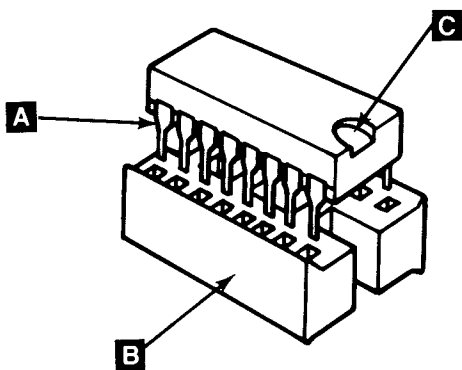
1. Set the Power switch on the system unit (and the expansion unit, if attached) to Off.
2. Set all external Power switches to off (printer, display, etc.).
3. Unplug system unit's (and expansion unit's) line cord(s) from the wall outlet.
4. Disconnect all cables from the rear of the system unit.
5. Remove the system unit cover (5900).
6. Remove all the option adapters from the system unit (5800). Make a note of the slot from which you remove each adapter.
7. Locate the module to be removed. (If you are not certain which module needs to be replaced see PIC 3-200-1, "Memory" to determine which module is failing.)



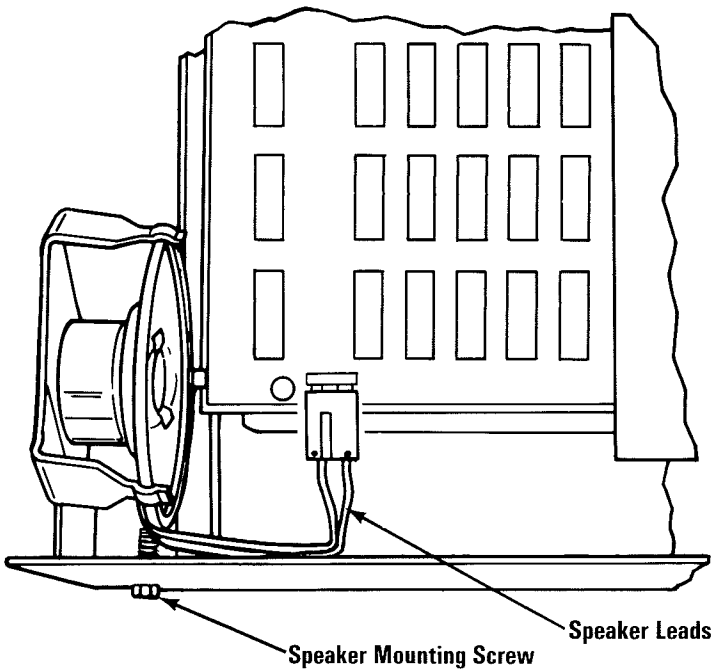
8. To separate the module from the connector, grasp the module as shown in **B** . Lift in a two step motion, as shown in **C** and **D** , to avoid bending pins.



1. Align the module pins **A** with the connector **B** and firmly press the module into place. Notch **C** on the module should be aligned with the notch in the connector.
2. Replace all option adapters (**5800**). Use the notes you made in the removal procedure to replace the option adapters in the right slots.
3. Replace the system unit cover (**5900**).
4. Recable the system.

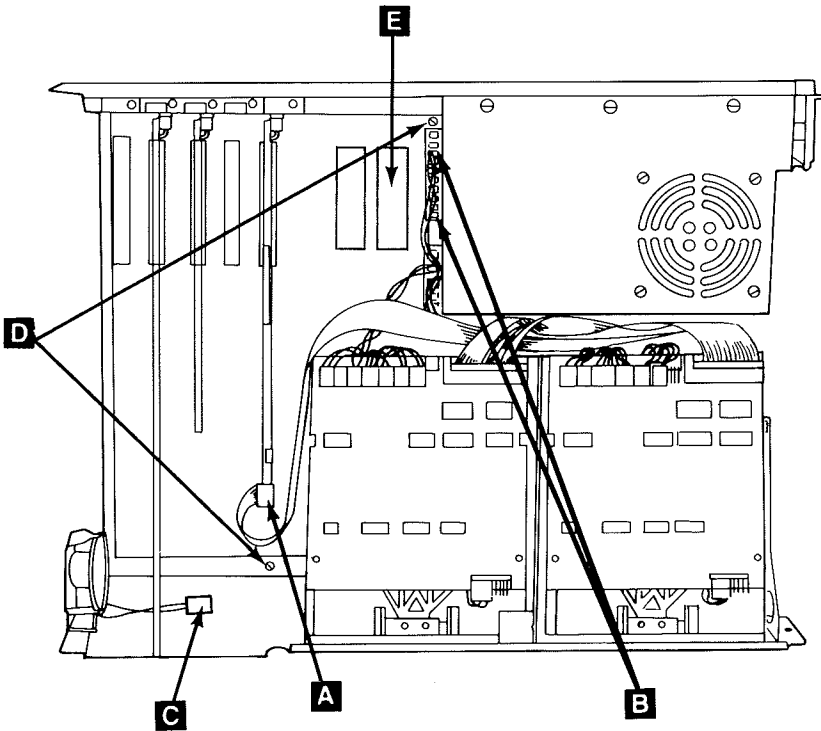


1. Set system unit Power switch to Off.
2. Remove system unit power cord from the wall outlet.
3. Remove the system unit cover (5900).
4. Disconnect the speaker leads.
5. Remove the speaker mounting screw.
6. Remove the speaker.

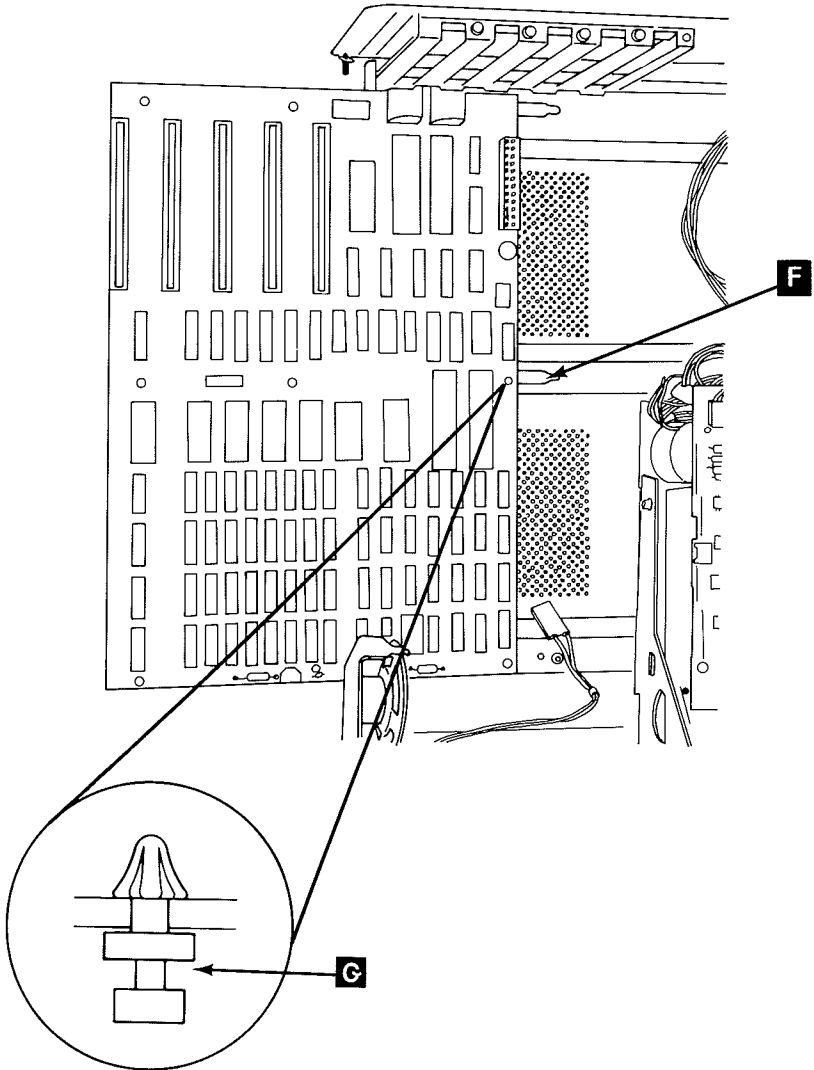


(Top View)

1. Set the Power switch on the system unit (and expansion unit, if attached) to Off.
2. Unplug system unit's (and expansion unit's if attached) power cord(s) from the wall outlet and disconnect all cables from the rear of the system unit.
3. Remove system unit cover (5900).
4. Remove all option adapters (5800) (5810).
5. Disconnect diskette drive signal cable **A** and system board power connectors **B**.
6. Remove the Math Coprocessor, if installed (5950) **E**.
7. Remove speaker connector **C**.
8. Remove system board mounting screws **D**.

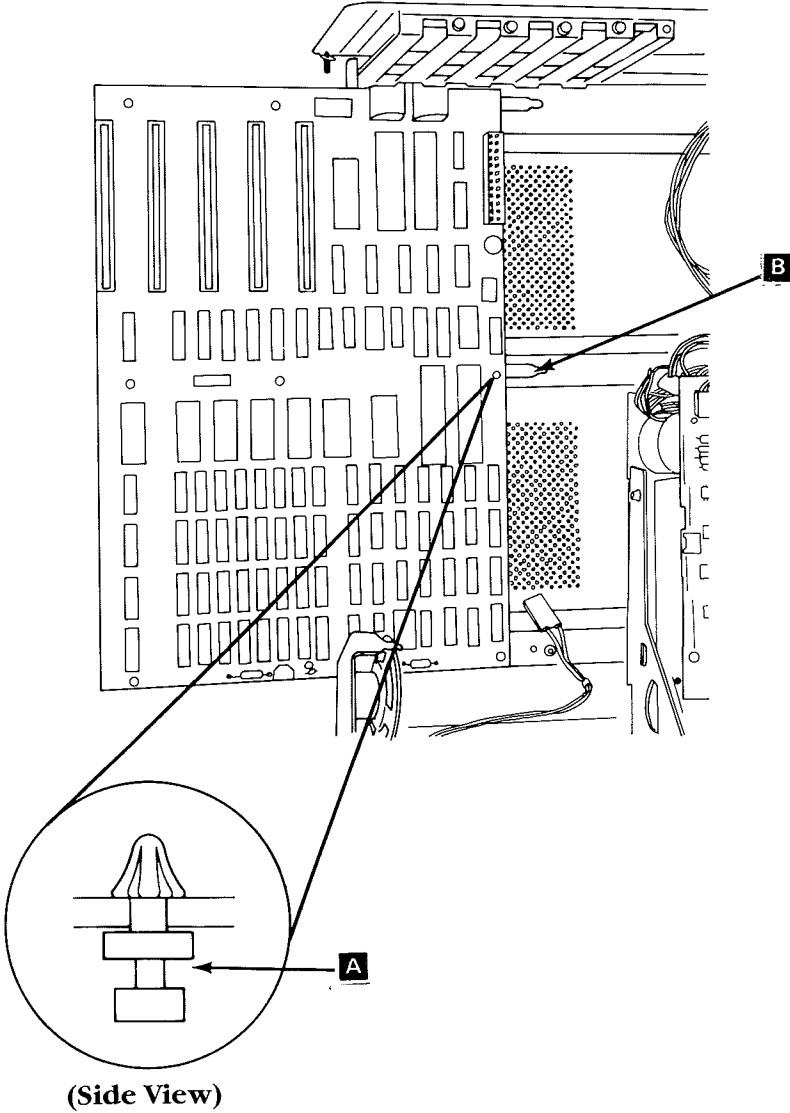


- Slide the system board away from the power supply (approximately 1/2" until stand-offs **G** can be lifted from mounting slots **F**).
- Lift the system board up and out of the system unit.

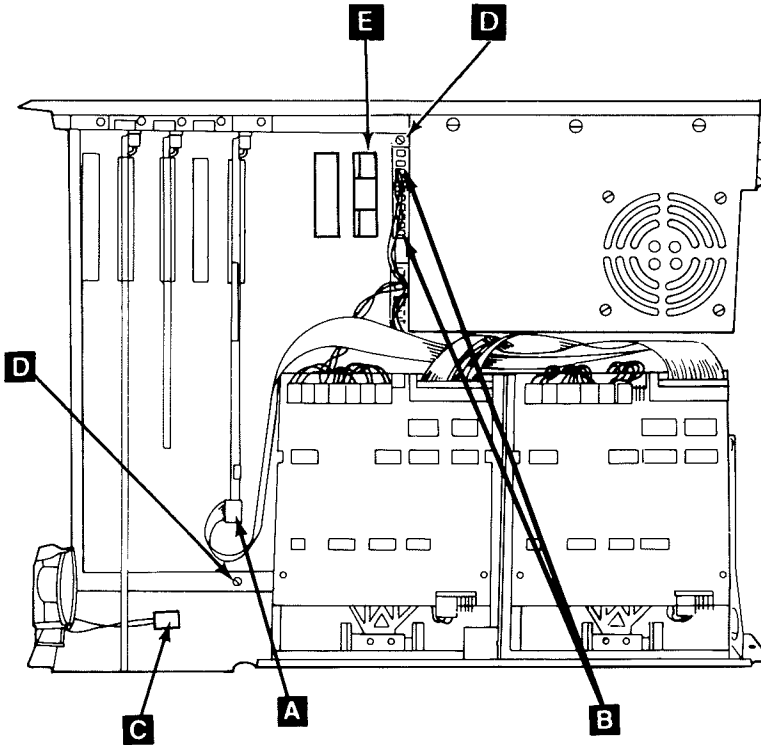


(Side View)

1. Position the stand-offs **A** on the system board into the mounting slots **B**.



2. Slide the system board toward the power supply until the holes for the two mounting screws are aligned.
3. Install the two system board mounting screws **D**.
4. Install the speaker connector **C**.
5. Install the Math Coprocessor, if removed (5950) **E**.
6. Install the system board power connectors **B**.
7. Install the option adapters (5800).
8. Install the diskette drive signal cable **A**.
9. Install the system unit cover (5900).
10. Reconnect all cables to the rear of the system unit.

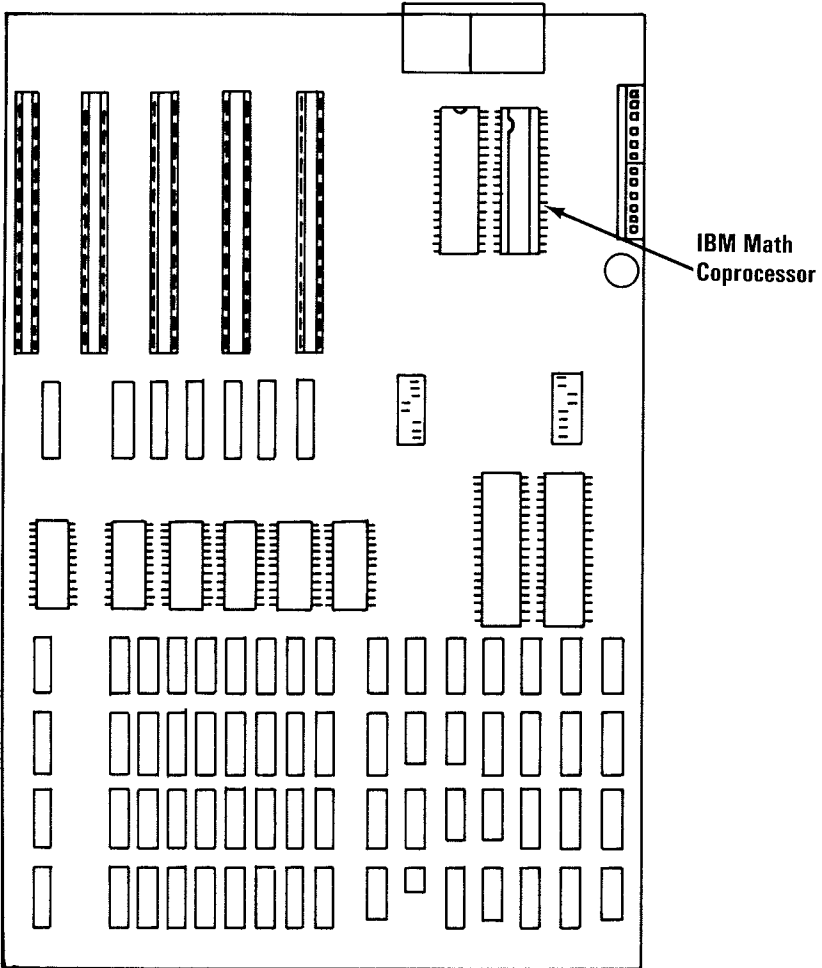


WARNING: The pins on the coprocessor are easily bent. Be careful not to bend the pins when removing the coprocessor.

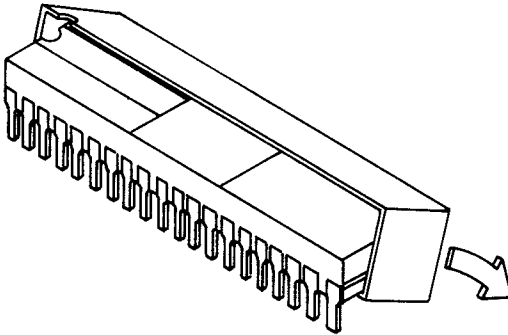
The coprocessor is static sensitive. Maintain personal grounding by touching the system unit frame with one hand while removing the coprocessor.

1. Set the Power switch on the system unit (and the expansion unit, if attached) to Off.
2. Set all external Power switches to off (printer, TV, etc).
3. Unplug the system unit's (and expansion unit's) power cord(s) from the wall outlet.
4. Disconnect all cables from the rear of the system unit.
5. Remove the system unit cover (**5900**).

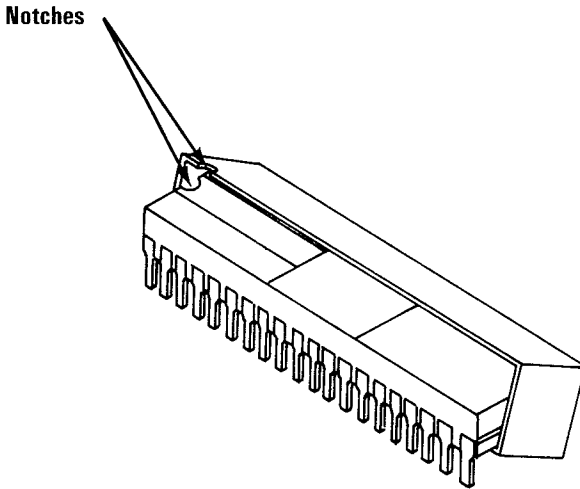
6. Unplug the power supply connectors from the system board and position them out of the way.
7. Locate the Math Coprocessor on the system board shown below.



- 8. Using a module puller, carefully remove the coprocessor.
- 9. Remove the safety protector.

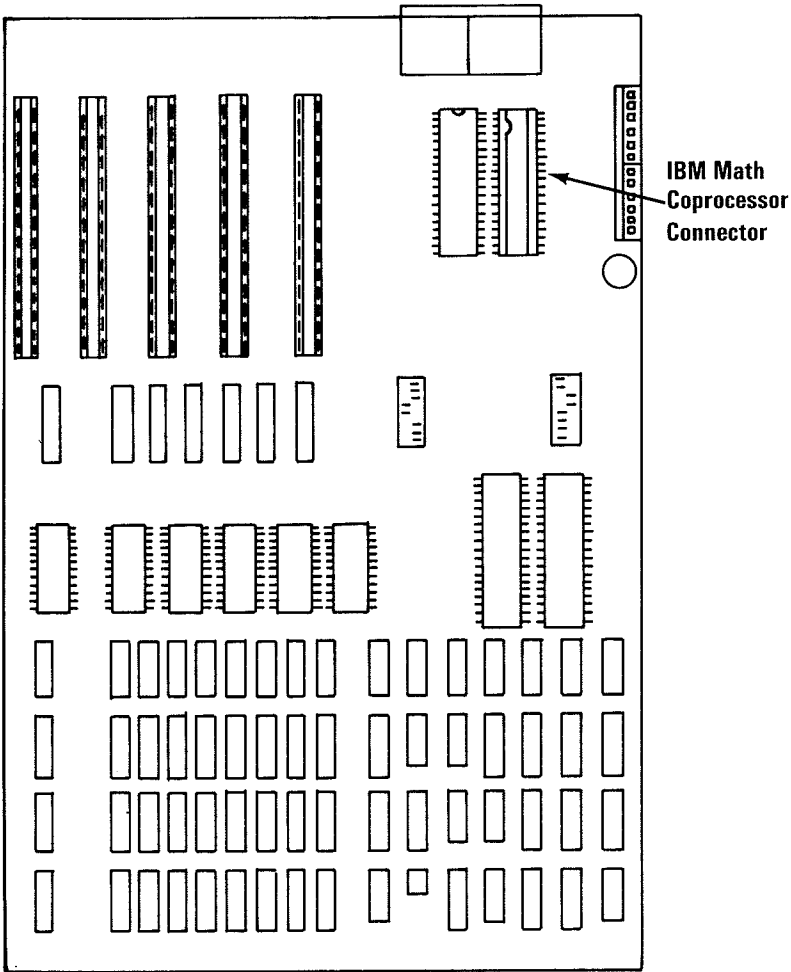


1. Install the safety protector on the coprocessor. Make sure the notches in the safety protector are on the same end as the notch in the coprocessor. The overlapped portions of the safety protector should be on the bottom or pin side of the coprocessor (5970).



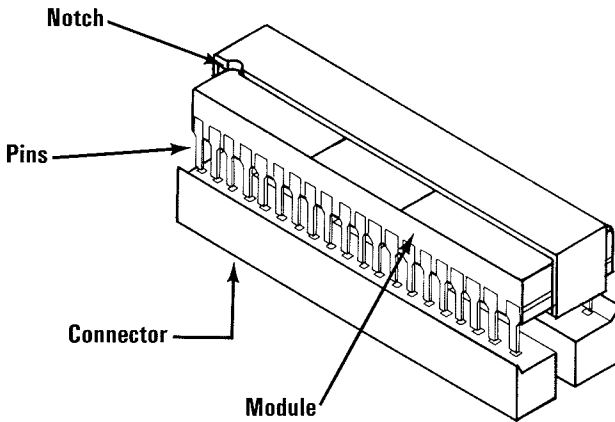
Math Coprocessor Replacement (cont.) 5950

2. Locate the Math Coprocessor connector on the system board shown below.



Math Coprocessor Replacement (cont.) 5950

3. Carefully align the pins on the coprocessor with its connector and firmly press the coprocessor in place. Be sure the notch on the safety protector is facing toward the 8088 processor.
4. Check to be sure the switch block 1 switch 2 on the system board, is in the OFF position.



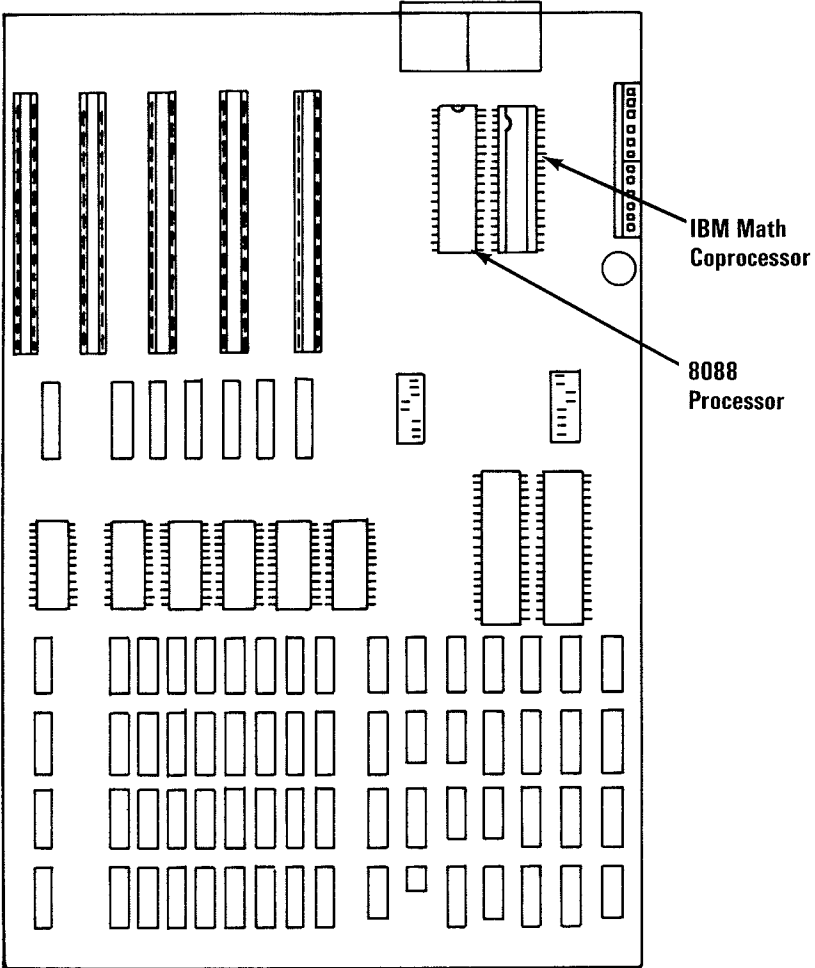
5. Reconnect the power supply connectors.
6. Replace the system unit cover (5900).
7. Reconnect all cables.

Warning: The pins on the processor module are easily bent. Be careful not to bend the pins when removing the processor.

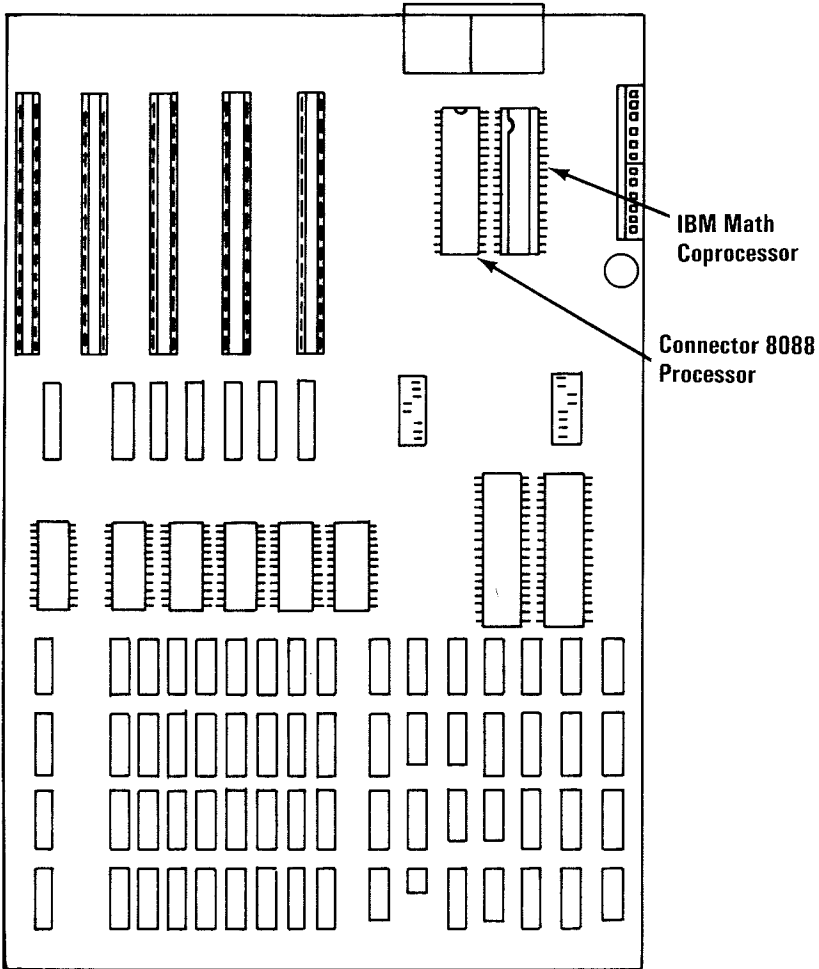
The processor is static sensitive. Maintain personal grounding, by touching the system unit frame with one hand, while removing the processor.

1. Set the Power switch on the system unit (and the expansion unit, if attached) to Off.
2. Set all external Power switches to off (printer, TV, etc.).
3. Unplug the system unit's (and expansion unit's) power cord(s) from the wall outlet.
4. Remove the system unit cover (**5900**).

- 5. Unplug the power supply connectors from the system board and position them out of the way.
- 6. Locate the processor on the system board shown below.
- 7. Using a module puller, carefully remove the processor.



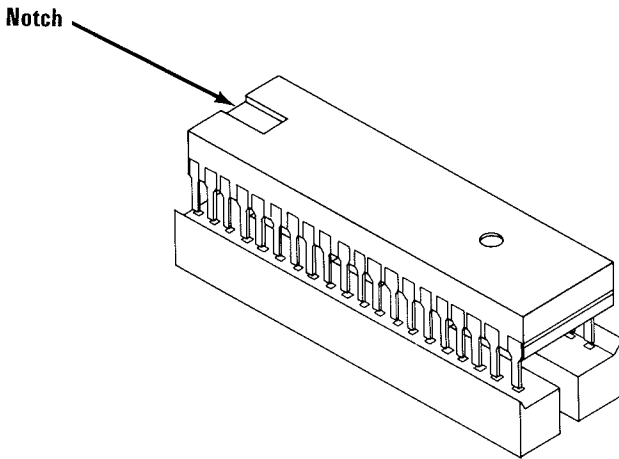
1. Locate the 8088 processor connector on the system board shown below.



Warning: The pins on the processor module are easily bent. Be careful not to bend the pins when installing the processor.

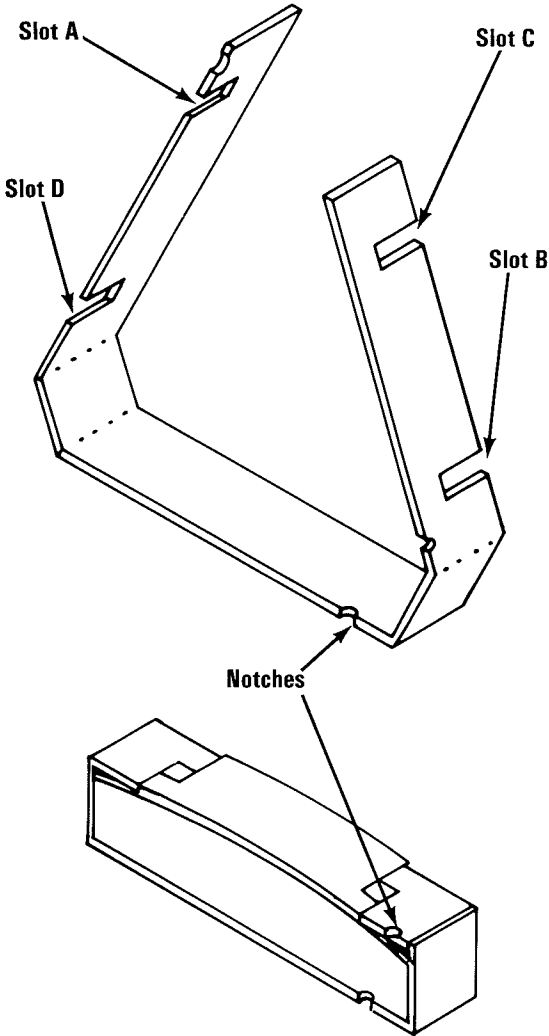
The processor is also static sensitive. Maintain personal grounding, by touching the system frame with one hand, while installing the processor.

2. Carefully align the pins on the processor with its connector and firmly press the processor in place. Be sure the notch on the 8088 processor is facing the rear of the system board.



3. Replace the system unit cover (5900).
4. Reconnect all cables.

1. Assemble the safety protector as shown in the figure below.
2. Insert slot A into B then insert C into slot D.



SECTION 6. SWITCH SETTINGS

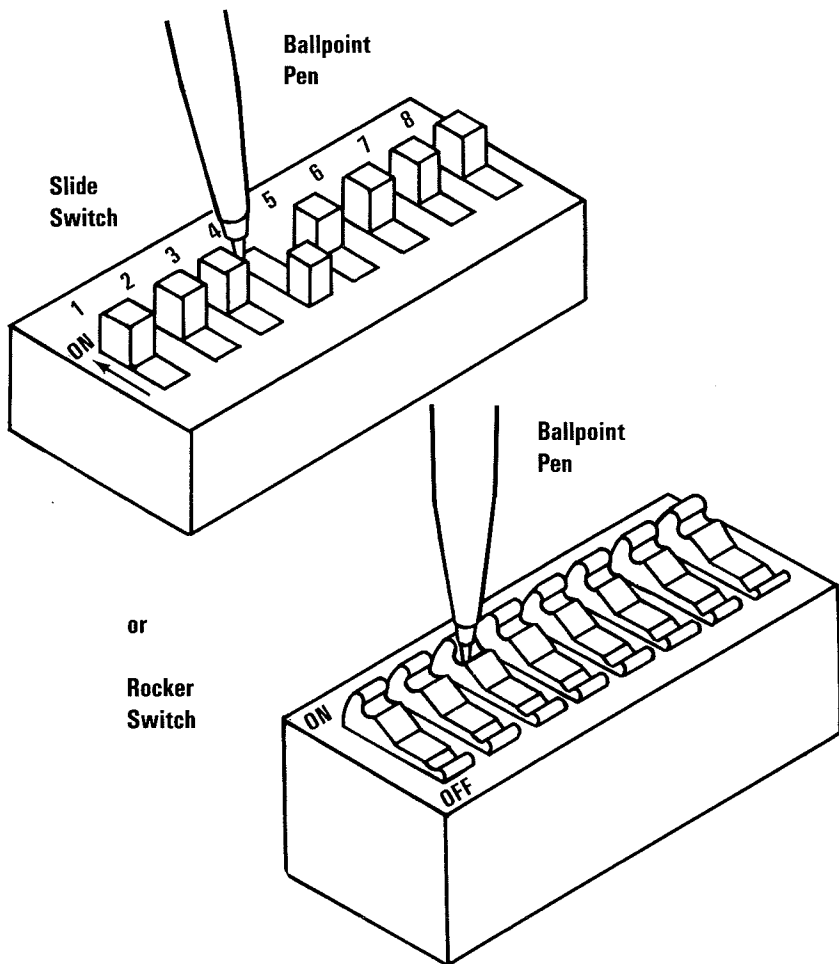
| | |
|---|------|
| System Board Switch Settings | 6-3 |
| System Board Switches | 6-3 |
| Monitor Type Switch Settings | 6-4 |
| 5 1/4" Diskette Drive Switch Setting | 6-4 |
| Extender Card Switch Settings | 6-5 |
| Memory Option Switch Settings | 6-6 |
| (16KB-64KB CPU) System Board | 6-6 |
| (64KB-256KB CPU) System Board | 6-25 |

Note: The system board type (16KB-64KB CPU or 64KB-256KB CPU) is printed on the left edge of the system board. See Section 4, "Locations."

Switches in your system are set to reflect the addition of memory and other installed options. Switches are located on the system board, extender card, and memory expansion options.

The switches are dual inline pin (dip) switches that can be easily set with a ballpoint pen. Refer to the diagrams below to familiarize yourself with the different types of switches that may be used in your system.

Refer to the charts on the following pages to determine the correct switch setting for your system.

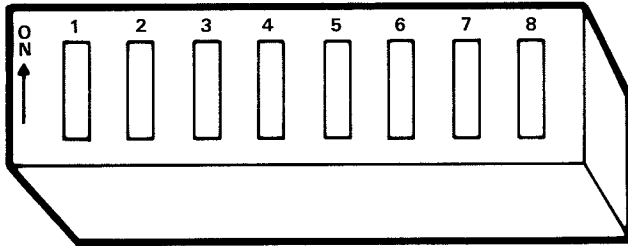


Note: Set a rocker switch by pressing down the rocker to the desired position.

System Board Switch Settings

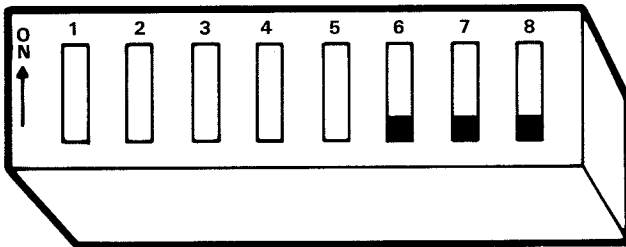
The switches on the system board are set as shown in the following figure. These settings are necessary for the system to address the attached components, and to specify the amount of memory installed on the system board.

Switch Block 1



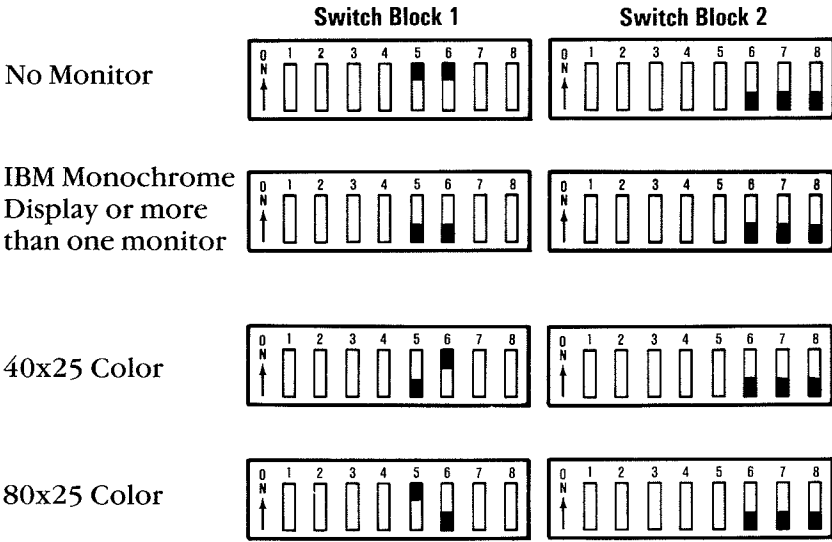
| Position | Function |
|----------|---|
| 1-7-8 | Number of 5 1/4" Diskette Drives Installed |
| 2 | Math Coprocessor: ON if coprocessor is installed (must be OFF is coprocessor is not installed) |
| 3-4 | Amount of memory on the system board |
| 5-6 | Type(s) of display adapter(s) installed |

Switch Block 2



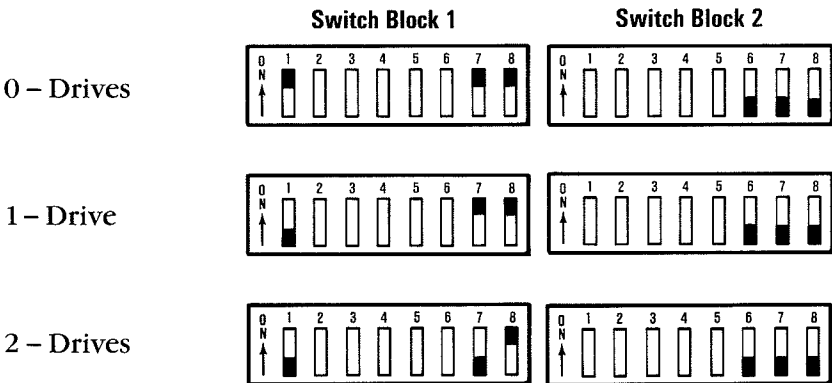
| Position | Function |
|-----------|------------------------------------|
| 1-2-3-4-5 | Amount of memory options installed |
| 6-7-8 | Always in the OFF position |

Monitor Type Switch Settings







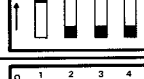

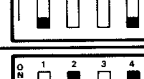



Note: The 80x25 color setting, when used with home television and various monitors, can cause loss of character/quality.

5 1/4" Diskette Drive Switch Settings

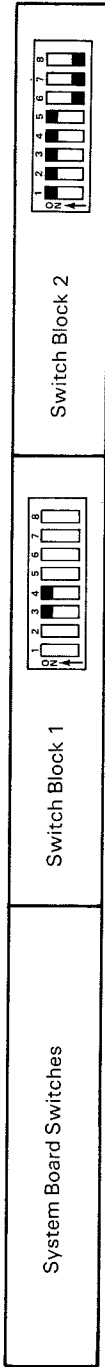


Extender Card Switch Settings

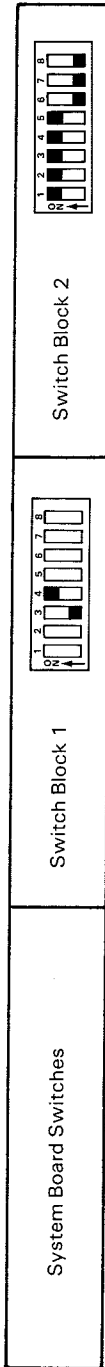
| System Memory | Extender Card Switch Block | Memory Segment |
|---------------|---|----------------|
| 16K to 64K |  | 1 |
| 96K to 128K |  | 2 |
| 160K to 192K |  | 3 |
| 224K to 256K |  | 4 |
| 288K to 320K |  | 5 |
| 352K to 384K |  | 6 |
| 416K to 448K |  | 7 |
| 480K to 512K |  | 8 |
| 544K to 576K |  | 9 |
| 608K to 640K |  | A |

Memory Switch Settings (16KB-64KB CPU) System Board

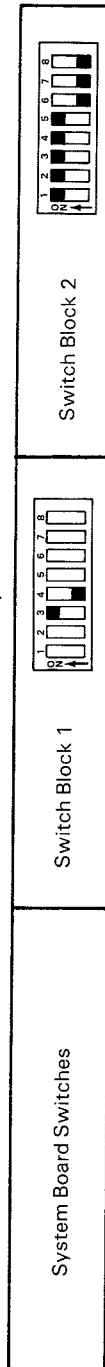
16K Total Memory



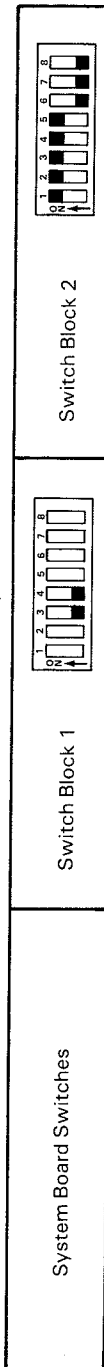
32K Total Memory



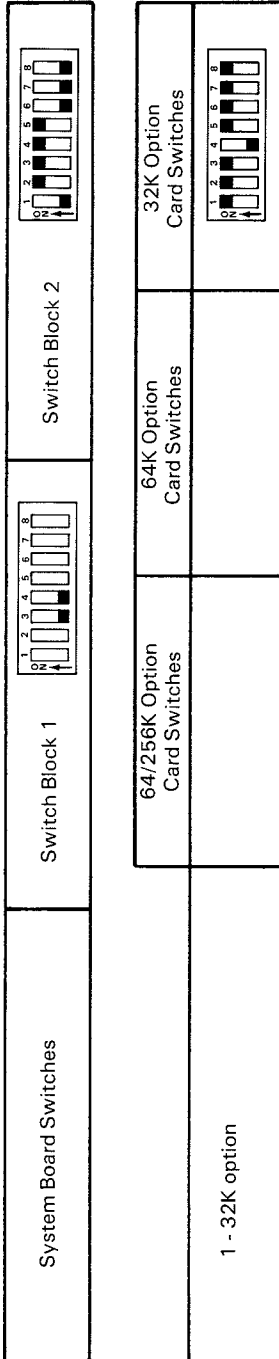
48K Total Memory




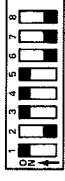

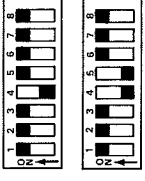
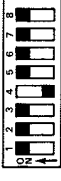
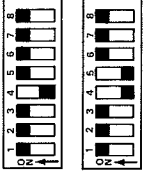
64K Total Memory



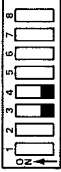



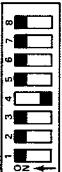

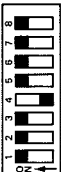


**96K Total Memory
32K + (64K on System Board)**








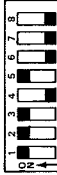
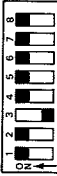
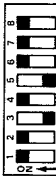



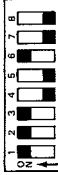
**128K Total Memory
64K + (64K on System Board)**

| System Board Switches | Switch Block 1  | Switch Block 2  |
|---------------------------------------|---|---|
| | 64/256K Option Card Switches  | 32K Option Card Switches  |
| 1 - 64/256K option with 64K installed | | |
| 1 - 64K option | |  |
| 2 - 32K options | |  |


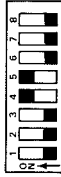




**160K Total Memory
96K + (64K on System Board)**

| System Board Switches | Switch Block 1  | Switch Block 2  |
|---|---|---|
| 1 - 64/256K option with 64K installed 1 - 32K option | 64/256K Option Card Switches  | 32K Option Card Switches  |
| 1 - 64K option 1 - 32K option | 64K Option Card Switches  | 32K Option Card Switches  |
| 3 - 32K options | | 32K Option Card Switches    |


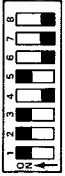

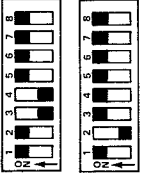
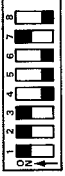
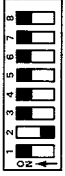

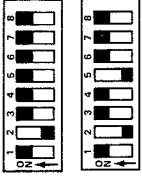
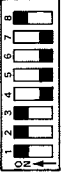
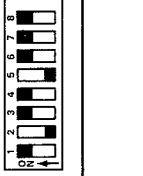
**192K Total Memory
128K + (64K on System Board)**

| System Board Switches | Switch Block 1 | Switch Block 2 |
|--|---|---|
| <p>1 - 64/256K option with 64K option installed 1 - 64K option</p> | <p>64/256K Option Card Switches</p>  | <p>64K Option Card Switches</p>  |
| <p>2 - 64K options</p> |    | |
| <p>1 - 64/256K option with 64K installed 2 - 32K options</p> |  | <p>32K Option Card Switches</p>   |
| <p>1 - 64K option 2 - 32K options</p> | |    |
| <p>1 - 64/256K option with 128K installed</p> |  | |





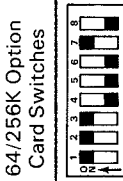
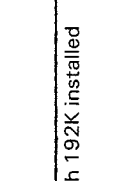



**288K Total Memory
224K + (64K on System Board)**

| | | |
|---|--|--|
| System Board Switches |  <p align="center">Switch Block 1</p> |  <p align="center">Switch Block 2</p> |
| <p>1 - 64/256K option with 192K installed 1 - 32K option</p> | <p align="center">64/256K Option Card Switches</p>  | <p align="center">64K Option Card Switches</p>  |
| <p>1 - 64/256K option with 128K installed 1 - 64K option 1 - 32K option</p> |  | <p align="center">32K Option Card Switches</p>  |


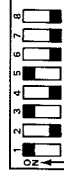



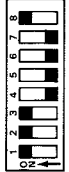


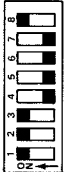

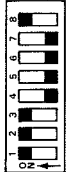


**320K Total Memory
256K + (64K on System Board)**

| System Board Switches | Switch Block 1  | Switch Block 2  |
|---|---|---|
| <p>1 - 64/256K option with 128K installed 2 - 64K options</p> | <p>64/256K Option Card Switches </p> | <p>64K Option Card Switches </p> |
| <p>1 - 64/256K option with 192K installed 1 - 64K option</p> | <p>64/256K Option Card Switches </p> | <p>64K Option Card Switches </p> |
| <p>1 - 64/256K option with 192K installed 2 - 32K options</p> | <p>64/256K Option Card Switches </p> | <p>32K Option Card Switches </p> |
| <p>1 - 64/256K option with 256K installed</p> | <p>64/256K Option Card Switches </p> | <p>32K Option Card Switches </p> |

**352K Total Memory
288K + (64K on System Board)**

| | | | |
|---|---|---|---|
| System Board Switches |  | Switch Block 2 |  |
| Switch Block 1 |  | Switch Block 2 |  |
| <p>1 - 64/256K option with 192K installed 1 - 64K option 1 - 32K option</p> | <p>64/256K Option Card Switches</p>  | <p>64K Option Card Switches</p>  | <p>32K Option Card Switches</p>  |
| <p>1 - 64/256K option with 256K installed 1 - 32K option</p> | <p>64/256K Option Card Switches</p>  | | <p>32K Option Card Switches</p>  |

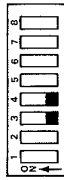
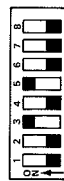
**384K Total Memory
320K + (64K on System Board)**

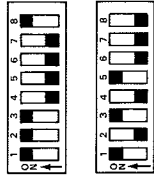
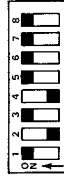

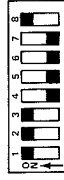
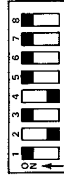

| System Board Switches | Switch Block 1  | Switch Block 2  |
|---|--|--|
| 1 - 64/256K option with 192K installed 2 - 64K options | 64/256K Option Card Switches  | 64K Option Card Switches   |
| 1 - 64/256K option with 256K installed 1 - 64/256K option with 64K installed | 64/256K Option Card Switches   | 64K Option Card Switches  |
| 1 - 64/256K option with 256K installed 1 - 64K option | 64/256K Option Card Switches  | 64K Option Card Switches  |
| 1 - 64/256K option with 256K installed 2 - 32K options | 64/256K Option Card Switches  | 32K Option Card Switches   |

256
128

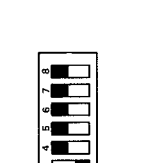
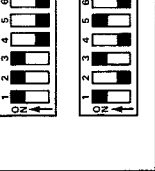
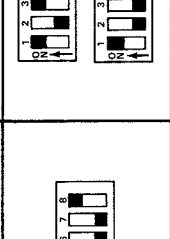
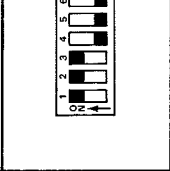
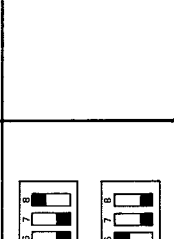
384

**416K Total Memory
352K + (64K on System Board)**

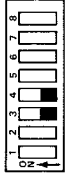
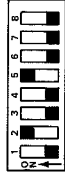
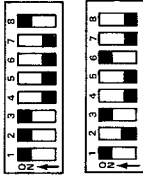
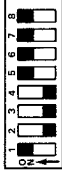
| | | |
|-----------------------|---|---|
| System Board Switches |  <p>Switch Block 1</p> |  <p>Switch Block 2</p> |
|-----------------------|---|---|

| | | | |
|--|---|---|---|
| <p>1 - 64/256K option with 256K installed 1 - 64/256K option with 64K installed 1 - 32K option</p> | <p>64/256K Option Card Switches</p>  | <p>64K Option Card Switches</p>  | <p>32K Option Card Switches</p>  |
| <p>1 - 64/256K options with 256K installed 1 - 64K option 1 - 32K option</p> | <p>64/256K Option Card Switches</p>  | <p>64K Option Card Switches</p>  | <p>32K Option Card Switches</p>  |

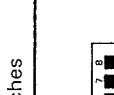
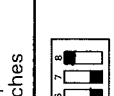


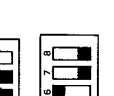
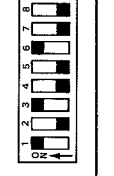


**448K Total Memory
384K + 164K on System Board**

| System Board Switches | Switch Block 1 | Switch Block 2 |
|--|---|---|
| <p>1 - 64/256K option with 256K installed 1 - 64/256K option with 64K installed 1 - 64K option</p> | <p>64/256K Option Card Switches</p>  | <p>64K Option Card Switches</p>  |
| <p>1 - 64/256K option with 256K installed 2 - 64K options</p> |  | <p>32K Option Card Switches</p>  |
| <p>1 - 64/256K option with 256K installed 1 - 64/256K option with 128K installed</p> |  | |

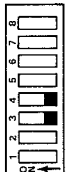

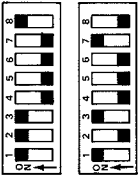

**480K Total Memory
416K + (64K on System Board)**

| | | |
|---|--|--|
| System Board Switches |  <p align="center">Switch Block 1</p> |  <p align="center">Switch Block 2</p> |
| <p>1 - 64/256K option with 256K installed 1 - 64/256K option with 128K installed 1 - 32K option</p> | <p align="center">64/256K Option Card Switches</p>  | <p align="center">64K Option Card Switches</p> |
| | | <p align="center">32K Option Card Switches</p>  |



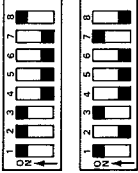

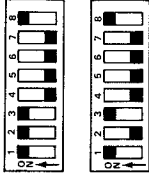

**512K Total Memory
448K + (64K on System Board)**

| System Board Switches | Switch Block 1 | Switch Block 2 | |
|---|---|---|---|
| <p>1 - 64/256K option with 256K installed 1 - 64/256K option with 128K installed 1 - 64K option</p> |  |  | <p>64/256K Option Card Switches</p>  |
| <p>1 - 64/256K option with 256K installed 1 - 64/256K option with 192K installed</p> |  |  | <p>64K Option Card Switches</p>  |
| <p>1 - 64/256K option with 256K installed 1 - 64/256K option with 192K installed</p> |  |  | <p>32K Option Card Switches</p> |


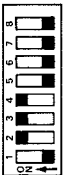
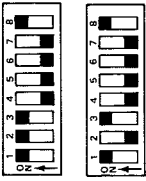

**544K Total Memory
480K + (64K on System Board)**

| | | |
|---|--|---|
| <p align="center">System Board Switches</p> | <p align="center">Switch Block 1</p>  | <p align="center">Switch Block 2</p>  |
| <p>1 - 64/256K option with 256K installed 1 - 64/256K option with 192K installed 1 - 32K option</p> | <p align="center">64/256K Option Card Switches</p>  | <p align="center">64K Option Card Switches</p> |
| | | <p align="center">32K Option Card Switches</p>  |

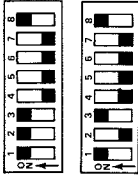

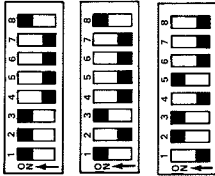
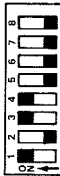
**576K Total Memory
512K + (64K on System Board)**

| System Board Switches | Switch Block 1  | Switch Block 2  |
|---|---|---|
| <p>1 - 64/256K option with 256K installed 1 - 64/256K option with 192K installed 1 - 64K option</p> | <p>64/256K Option Card Switches</p>  | <p>64K Option Card Switches</p>  |
| <p>2 - 64/256K option with 256K installed</p> | <p>64/256K Option Card Switches</p>  | <p>32K Option Card Switches</p>  |

**608K Total Memory
544K + (64K on System Board)**

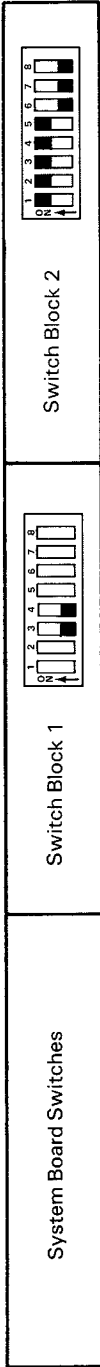
| | | | |
|--|--|--|--|
| <p align="center">System Board Switches</p> | <p align="center">Switch Block 1</p>  | <p align="center">Switch Block 2</p>  | |
| <p>2 - 64/256K option with 256K installed 1 - 32K option</p> | <p align="center">64/256K Option Card Switches</p>  | <p align="center">64K Option Card Switches</p> | <p align="center">32K Option Card Switches</p>  |

**640K Total Memory
576K + (64K on System Board)**

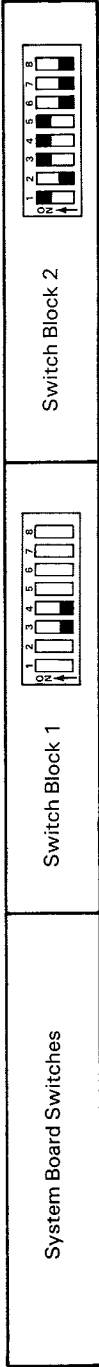
| System Board Switches | Switch Block 1 | Switch Block 2 |
|---|---|---|
| <p>2 - 64/256K option with 256K installed 1 - 64K option</p> | <p>64/256K Option Card Switches</p>  | <p>64K Option Card Switches</p>  |
| <p>2 - 64/256K option with 256K installed 1 - 64/256K option with 64K installed</p> | <p>64/256K Option Card Switches</p>  | <p>32K Option Card Switches</p>  |

Memory Switch Settings (64KB-256KB CPU) System Board

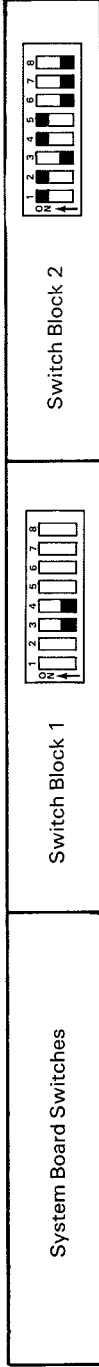
64K Total Memory



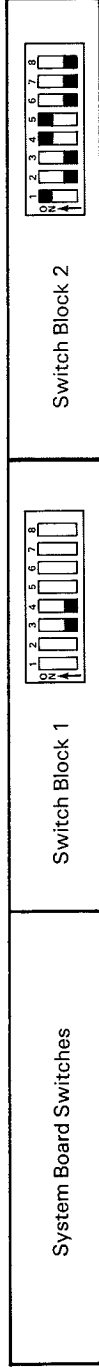
128K Total Memory



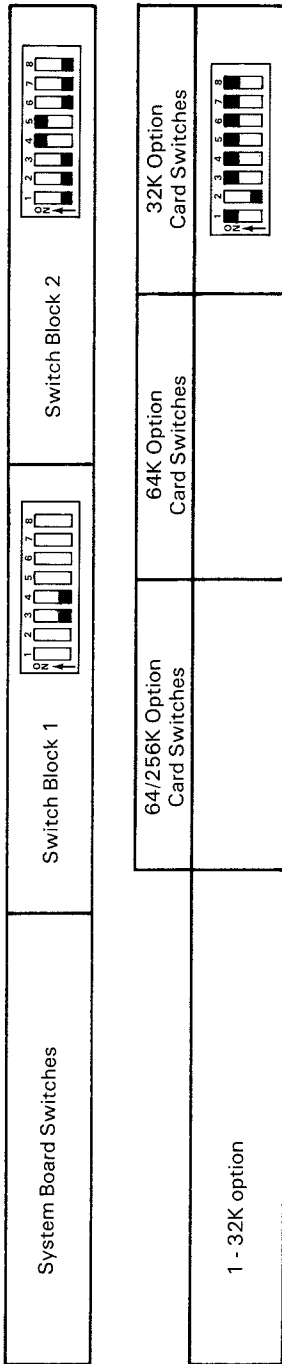
192K Total Memory








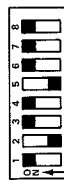
256K Total Memory




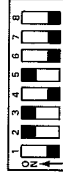

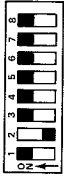
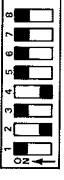
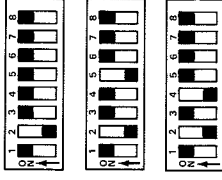
**288K Total Memory
32K + (256K on System Board)**



**320K Total Memory
64K + (256K on System Board)**

| System Board Switches | Switch Block 1  | Switch Block 2  |
|---------------------------------------|---|--|
| 1 - 64/256K option with 64K installed | 64/256K Option Card Switches  | 64K Option Card Switches |
| 1 - 64K option | |  |
| 2 - 32K options | |   |



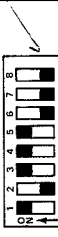
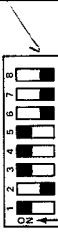
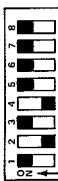
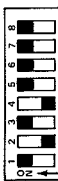
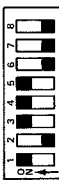
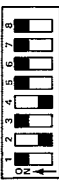
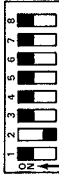


**352K Total Memory
96K + (256K on System Board)**

| System Board Switches | Switch Block 1  | Switch Block 2  |
|---|---|---|
| 1 - 64/256K option with 64K installed 1 - 32K option | 64/256K Option Card Switches  | 64K Option Card Switches  |
| 1 - 64K option 1 - 32K option | | 32K Option Card Switches  |
| 3 - 32K options | | 32K Option Card Switches  |


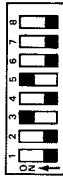
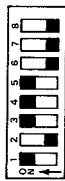

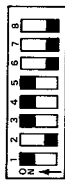



384K Total Memory
128K + (256K on System Board)

memory 32K

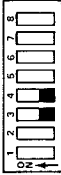

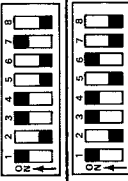

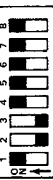
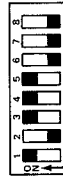

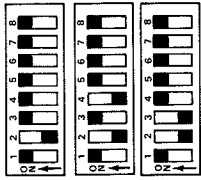

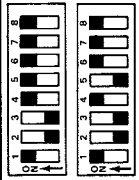
0
12345678
26 0 00

| System Board Switches | Switch Block 1 | Switch Block 2 | |
|--|---|---|---|
| 1 - 64/256K option with 64K installed 1 - 64K option |  |  | <p>64/256K Option Card Switches</p>  |
| 2 - 64K options |  |  | <p>64K Option Card Switches</p>  |
| 1 - 64/256K option with 64K installed 2 - 32K options |  | | <p>32K Option Card Switches</p>  |
| 1 - 64K option 2 - 32K options | |  |  |
| 1 - 64/256K option with 128K installed |  | | |


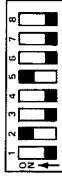
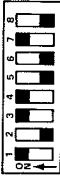
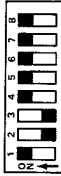


**4-16K Total Memory
160K + (256K on System Board)**

| System Board Switches | Switch Block 1  | Switch Block 2  |
|---|---|---|
| 1 - 64/256K option with 64K installed 1 - 64K option 1 - 32K option | 64/256K Option Card Switches  | 64K Option Card Switches  |
| 2 - 64K options 1 - 32K option | 64/256K Option Card Switches  | 64K Option Card Switches  |
| 1 - 64/256K option with 128K installed 1 - 32K option | 64/256K Option Card Switches  | 32K Option Card Switches  |


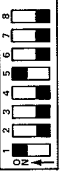

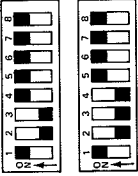



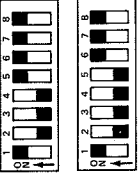

**448K Total Memory
192K + (256K on System Board)**

| System Board Switches | Switch Block 1 | Switch Block 2 | |
|---|---|---|---|
| |  |  | <p align="center">64/256K Option Card Switches</p> |
| 1 - 64/256K option with 192K installed |  | | <p align="center">32K Option Card Switches</p> |
| 1 - 64/256K option with 128K installed 1 - 64K option |  |  | |
| 1 - 64/256K option with 64K installed 2 - 64K options |  |  | |
| 3 - 64K options | |  | |
| 1 - 64/256K option with 128K installed 2 - 32K options |  | |  |


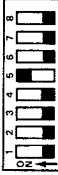

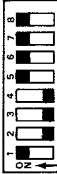

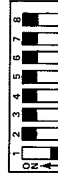
**480K Total Memory
224K + (256K on System Board)**

| | | |
|--|--|--|
| System Board Switches |  <p align="center">Switch Block 1</p> |  <p align="center">Switch Block 2</p> |
| 1 - 64/256K option with 192K installed 1 - 32K option |  <p align="center">64/256K Option Card Switches</p> |  <p align="center">64K Option Card Switches</p> |
| 1 - 64/256K option with 128K installed 1 - 64K option 1 - 32K option |  <p align="center">64/256K Option Card Switches</p> |  <p align="center">32K Option Card Switches</p> |




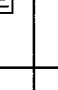
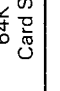
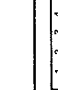
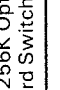



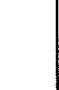
512K Total Memory
256K + (256K on System Board)

| System Board Switches | Switch Block 1  | Switch Block 2  |
|---|---|---|
| <p>1 - 64/256K option with 128K installed 2 - 64K options</p> | <p>64/256K Option Card Switches </p> | <p>64K Option Card Switches </p> |
| <p>1 - 64/256K option with 192K installed 1 - 64K option</p> | <p>64/256K Option Card Switches </p> | <p>64K Option Card Switches </p> |
| <p>1 - 64/256K option with 192K installed 2 - 32K options</p> | <p>64/256K Option Card Switches </p> | <p>32K Option Card Switches </p> |
| <p>1 - 64/256K option with 256K installed</p> | <p>64/256K Option Card Switches </p> | |


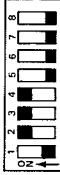
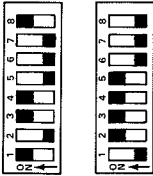
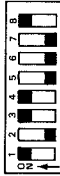
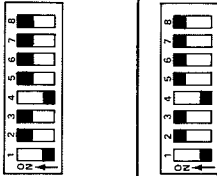
**544K Total Memory
288K + (256K on System Board)**

| | | |
|---|--|--|
| System Board Switches |  <p align="center">Switch Block 1</p> |  <p align="center">Switch Block 2</p> |
| <p>1 - 64/256K option with 192K installed 1 - 64K option 1 - 32K option</p> | <p align="center">64/256K Option Card Switches</p>  | <p align="center">64K Option Card Switches</p>  |
| <p>1 - 64/256K option with 256K installed 1 - 32K option</p> | <p align="center">64/256K Option Card Switches</p>  | <p align="center">32K Option Card Switches</p>  |

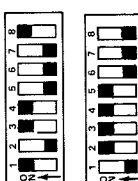
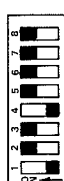

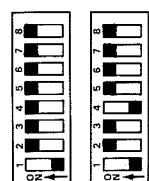
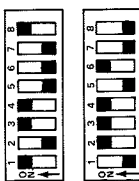
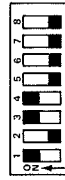
**576K Total Memory
320K + (256K on System Board)**

| System Board Switches | Switch Block 1  | Switch Block 2  |
|---|---|---|
| 64/256K Option Card Switches |  | 64K Option Card Switches |
| 1 - 64/256K option with 192K installed 2 - 64K options |  |  |
| 1 - 64/256K option with 256K installed 1 - 64/256K option with 64K installed |  |  |
| 1 - 64/256K option with 256K installed 1 - 64K option |  |  |
| 1 - 64/256K option with 256K installed 2 - 32K options |  |  |

**608K Total Memory
352K + (256K on System Board)**

| | | |
|--|--|--|
| System Board Switches |  <p align="center">Switch Block 1</p> |  <p align="center">Switch Block 2</p> |
| <p>1 - 64/256K option with 256K installed 1 - 64/256K option with 64K installed 1 - 32K option</p> | <p align="center">64/256K Option Card Switches</p>  | <p align="center">64K Option Card Switches</p> |
| <p>1 - 64/256K option with 256K installed 1 - 64K option 1 - 32K option</p> |  | <p align="center">32K Option Card Switches</p>  |

**640K Total Memory
384K + (256K on System Board)**

| System Board Switches | Switch Block 1 | Switch Block 2 |
|--|---|---|
| <p>1 - 64/256K option with 256K installed 1 - 64/256K option with 64K installed 1 - 64K option</p> | <p>64/256K Option Card Switches</p>  | <p>64K Option Card Switches</p>  |
| <p>1 - 64/256K option with 256K installed 2 - 64K options</p> | <p>64/256K Option Card Switches</p>  | <p>64K Option Card Switches</p>  |
| <p>1 - 64/256K option with 256K installed 1 - 64/256K option with 128K installed</p> | <p>64/256K Option Card Switches</p>  | <p>32K Option Card Switches</p>  |

Notes:

SECTION 7. PARTS CATALOG

| | |
|---|------|
| Limited Warranty IBM Service Parts | 7-2 |
| How to Use This Parts Catalog | 7-3 |
| Visual Index | 7-4 |
| System Unit | 7-5 |
| Expansion Unit | 7-8 |
| Monochrome Display | 7-12 |
| Color Display | 7-14 |
| Diskette Drive | 7-16 |
| Fixed Disk Drive | 7-24 |
| Keyboard | 7-26 |
| Matrix/Graphics Printer | 7-28 |

LIMITED WARRANTY IBM SERVICE PARTS

The International Business Machines Corporation warrants that each IBM Service Part for an IBM Personal Computer Product will be free from defects in materials and workmanship under conditions of normal use for a period of 90 days from the date of purchase from IBM. Service Parts will be either reconditioned parts or new parts. Should an IBM Service Part fail to be free from defects in materials or workmanship at any time during the 90-day warranty period, IBM will, at its option, repair or replace this Service Part at no charge. All replaced Service Parts will become the property of IBM. This limited warranty does not include damage to the Service Part resulting from accident, disaster, misuse, abuse, or non-IBM modification of the Service Part.

Limited Warranty service may be obtained by delivering the defective Service Part to the IBM location where the part was purchased and providing proof of purchase date. Contact IBM by writing to IBM National Parts Center, P.O. Box 481, Greencastle, Indiana 46135 for further information.

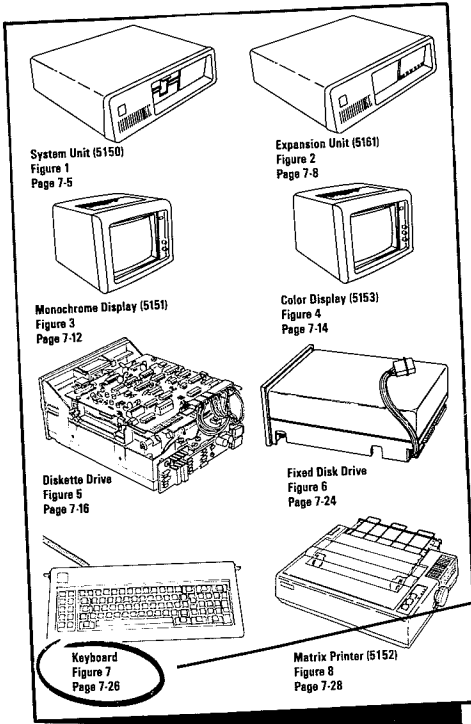
ALL EXPRESS AND IMPLIED WARRANTIES FOR THIS IBM SERVICE PART INCLUDING THE WARRANTIES OF MERCHANTABILITY AND FITNESS FOR A PARTICULAR PURPOSE, ARE LIMITED IN DURATION TO A PERIOD OF 90 DAYS FROM THE DATE OF PURCHASE, AND NO WARRANTIES, WHETHER EXPRESS OR IMPLIED, WILL APPLY AFTER THIS PERIOD. SOME STATES DO NOT ALLOW LIMITATIONS ON HOW LONG AN IMPLIED WARRANTY LASTS, SO THE ABOVE LIMITATION MAY NOT APPLY TO YOU.

IF THIS IBM SERVICE PART IS DEFECTIVE IN MATERIALS OR WORKMANSHIP UNDER CONDITIONS OF NORMAL USE, AS WARRANTED ABOVE, YOUR SOLE REMEDY SHALL BE REPAIR OR REPLACEMENT AS PROVIDED ABOVE. IN NO EVENT WILL IBM BE LIABLE TO YOU FOR ANY DAMAGES, INCLUDING LOST PROFITS, LOST SAVINGS OR OTHER INCIDENTAL OR CONSEQUENTIAL DAMAGES ARISING OUT OF THE USE OF OR INABILITY TO USE SUCH IBM SERVICE PART, EVEN IF IBM HAS BEEN ADVISED OF THE POSSIBILITY OF SUCH DAMAGES, OR FOR ANY CLAIM BY ANY OTHER PARTY.

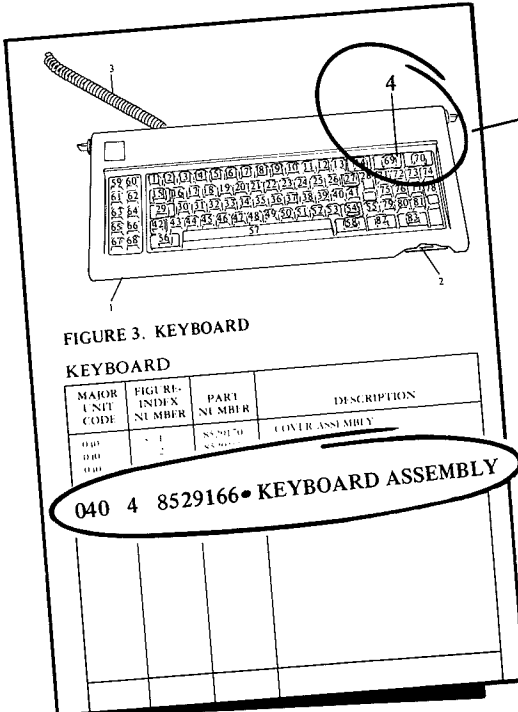
SOME STATES DO NOT ALLOW THE EXCLUSION OR LIMITATION OF INCIDENTAL OR CONSEQUENTIAL DAMAGES FOR CONSUMER PRODUCTS, SO THE ABOVE LIMITATION OR EXCLUSION MAY NOT APPLY TO YOU.

THIS WARRANTY GIVES YOU SPECIFIC LEGAL RIGHTS, AND YOU MAY ALSO HAVE OTHER RIGHTS WHICH MAY VARY FROM STATE TO STATE.

How To Use This Parts Catalog

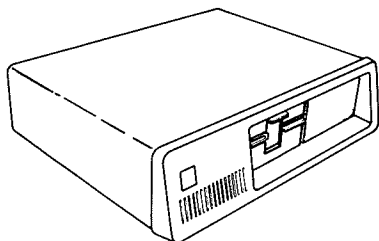


1
Turn to the visual index then locate, by illustration, the assembly containing the part.



2
Turn to the page for that assembly. Then locate the part visually.

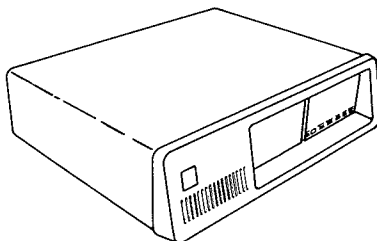
3
Using the index number shown with the part, refer to the accompanying listing to obtain major unit code, part number and description



System Unit (5150)

Figure 1

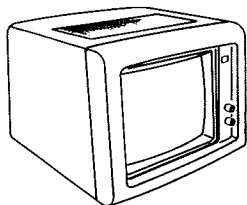
Page 7-5



Expansion Unit (5161)

Figure 2

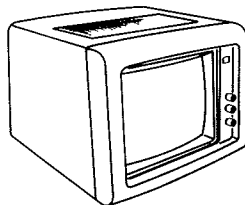
Page 7-8



Monochrome Display (5151)

Figure 3

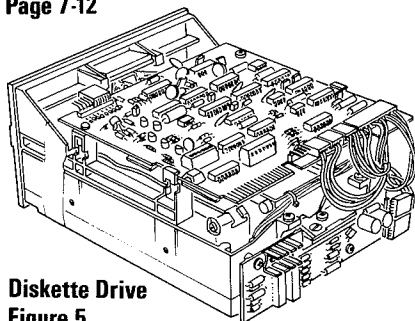
Page 7-12



Color Display (5153)

Figure 4

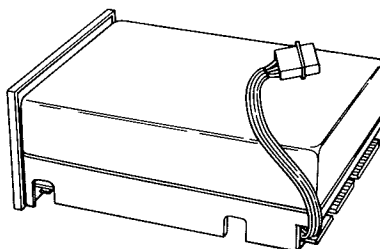
Page 7-14



Diskette Drive

Figure 5

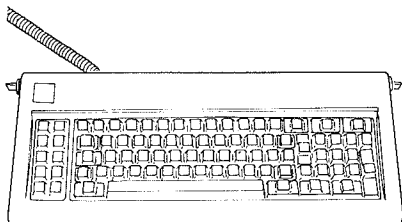
Page 7-16



Fixed Disk Drive

Figure 6

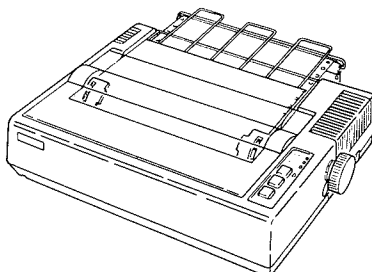
Page 7-24



Keyboard

Figure 7

Page 7-26



Matrix Printer (5152)

Figure 8

Page 7-28

Visual Index

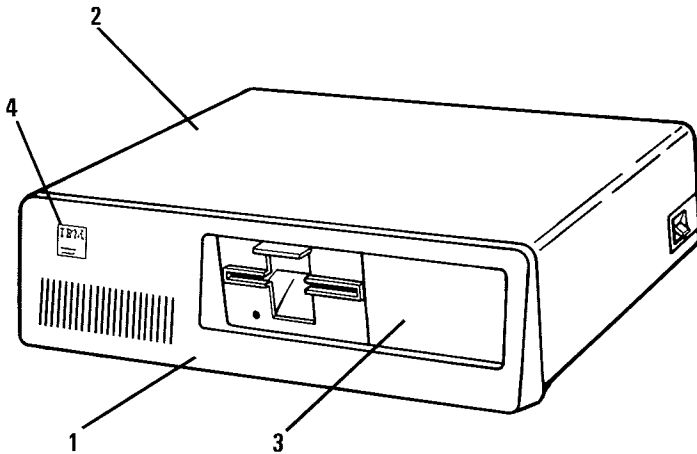


Figure 1 System Unit (5150)

| Major Unit Code | Figure Index Number | Part Number | Description |
|-----------------|---------------------|-------------|---|
| 000 | 1-1 | 8529163 | Bezel Assembly |
| 000 | 1-2 | 8654209 | Top Cover (No Bezel) |
| 000 | 1-2 | 8529162 | Cover Assembly |
| 000 | 1-3 | 8529204 | Disk Cover Plate |
| 000 | 1-4 | 8529164 | Logo/Label Kit – Consisting of – Front Name Plate Rear Name Plate FCC Label |

System Unit (5150)

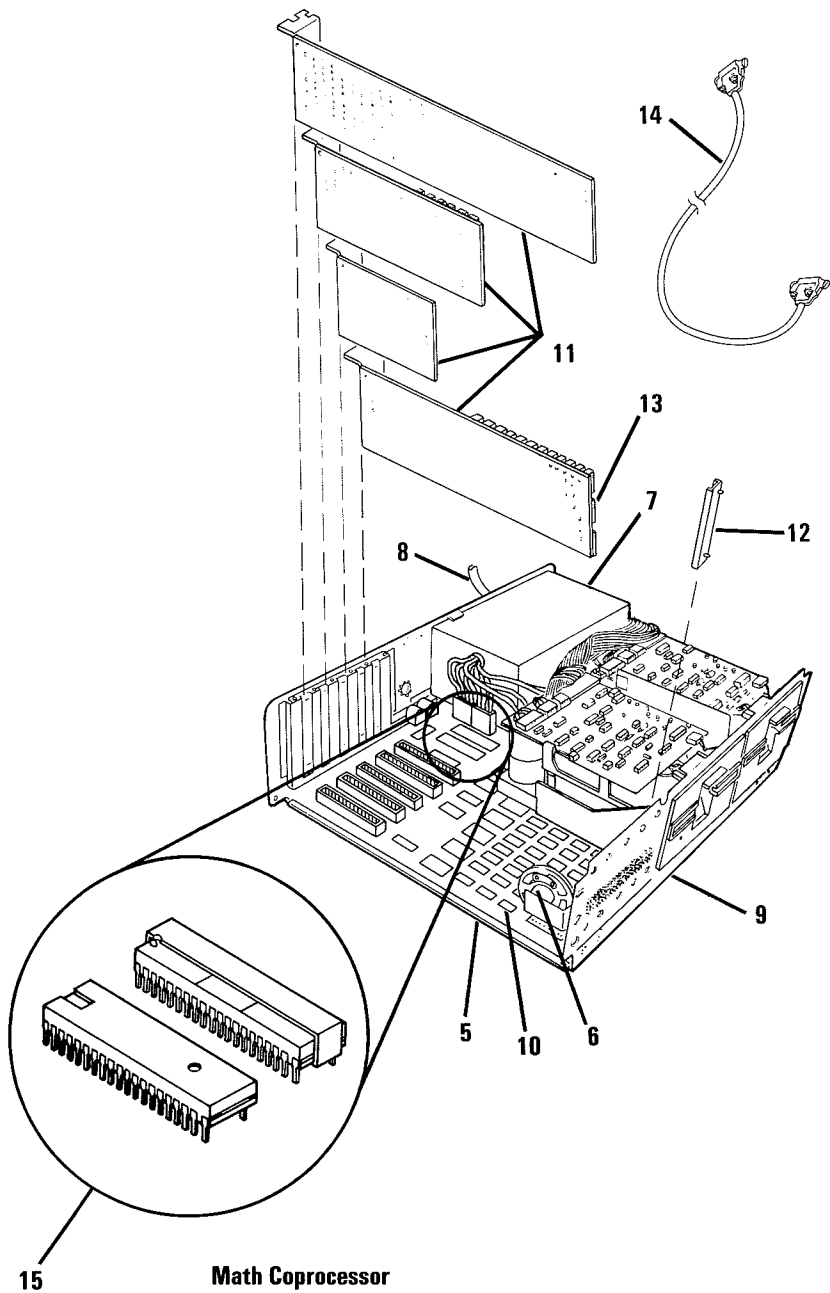


Figure 1. System Unit. (5150)

System Unit (5150)

| Major Unit Code | Figure Index Number | Part Number | Description |
|-----------------|---------------------|-------------|--|
| 311 | 1-5 | 8529205 | System Board (16KB-64KB CPU) |
| 311 | 1-5 | 8529238 | System Board (16KB-64KB CPU) with 64KB installed. |
| 311 | 1-5 | 8654213 | System Board (64KB-256KB CPU) |
| 000 | 1-6 | 8529143 | Speaker and Cable |
| 600 | 1-7 | 8529155 | Power Supply |
| 600 | 1-8 | 8529158 | Line Cord |
| 000 | 1-9 | 8529161 | Base Assembly |
| 301 | 1-10 | 8529142 | 16KB Memory Module (Qty. 1) |
| 302 | 1-10 | 8529211 | 64KB Memory Module (Qty. 1) |
| 000 | | 8529165 | Misc. Parts Kit — Consisting of — Screw-Flange Clip-Bezel Clip-Blank Bezel Foot Pad-Keyboards Foot Pad-System Unit Screw-Flange |
| 000 | 1-12 | 8529156 | Card Support Bracket — Optional Parts — |
| 303 | 1-11 | 8529144 | 32KB Memory Expansion Option |
| 305 | 1-11 | 8529145 | 64KB Memory Expansion Option |
| 307 | 1-11 | 8529148 | IBM Monochrome Display & Printer Adapter |
| 309 | 1-11 | 8529146 | Color/Graphics Monitor Adapter |
| 317 | 1-11 | 8529149 | Printer Adapter |
| 100 | 1-11 | 8529150 | Asynchronous Communications Adapter |
| 315 | 1-11 | 8529151 | Game Control Adapter |
| 313 | 1-11 | 8529152 | 5 1/4" Diskette Drive Adapter |
| 350 | 1-11 | 8529213 | Prototype Card |
| 319 | 1-11 | 8529212 | 64/256KB Memory Expansion Option Card (Does not include 64KB Memory Modules.) |
| 102 | 1-11 | 8529295 | Synchronous Data Link Control (SDLC) Communications Adapter |
| 312 | 1-11 | 8529252 | Extender Card |
| 106 | 1-11 | 8529296 | Binary Synchronous Communications (BSC) Adapter |
| 321 | 1-13 | 8529211 | 64KB Memory Module (Qty. 1) |
| 104 | 1-14 | 8529274 | Communications Adapter Cable |
| 326 | 1-15 | 8529147 | Math Coprocessor and 8088 Processor |

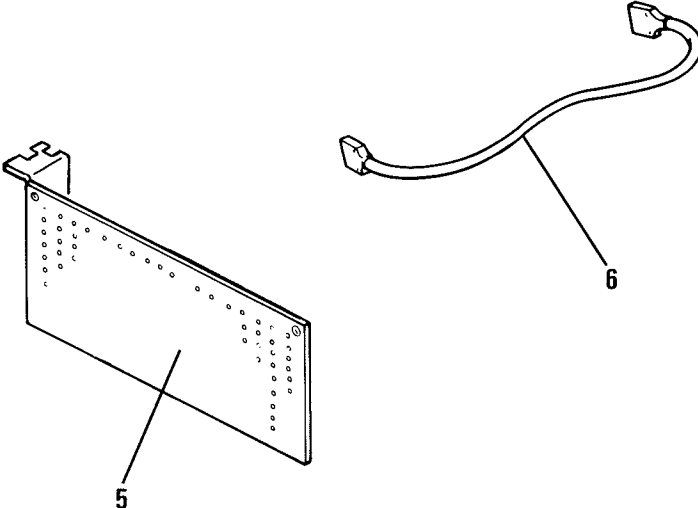
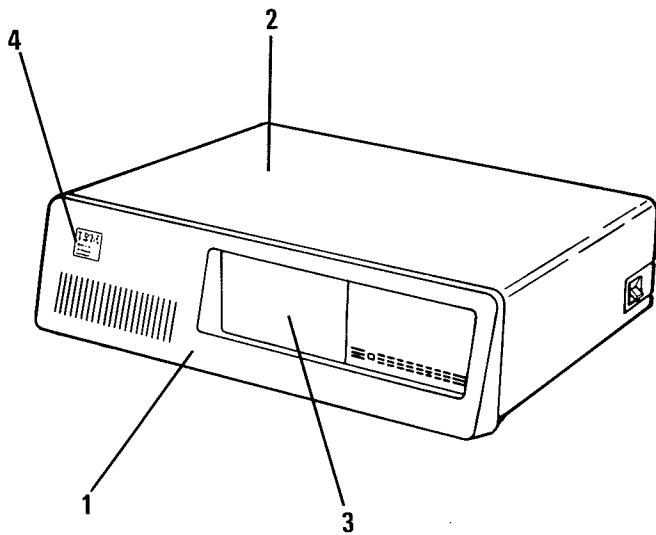


Figure 2 Expansion Unit (5161)

Expansion Unit (5161)

| Major Unit Code | Figure Index Number | Part Number | Description |
|-----------------|---------------------|-------------|---|
| 000 | 2-1 | 8529163 | Bezel Assembly |
| 000 | 2-2 | 8529162 | Cover Assembly |
| 000 | 2-3 | 8529204 | Disk Cover Plate |
| 000 | 2-4 | 8529164 | Logo/Label Kit – Consisting of – Logo Rear Name Plate FCC Label |
| 312 | 2-5 | 8529252 | Extender Card (Must be installed in System Unit). |
| 316 | 2-6 | 8529253 | Expansion Unit Cable |

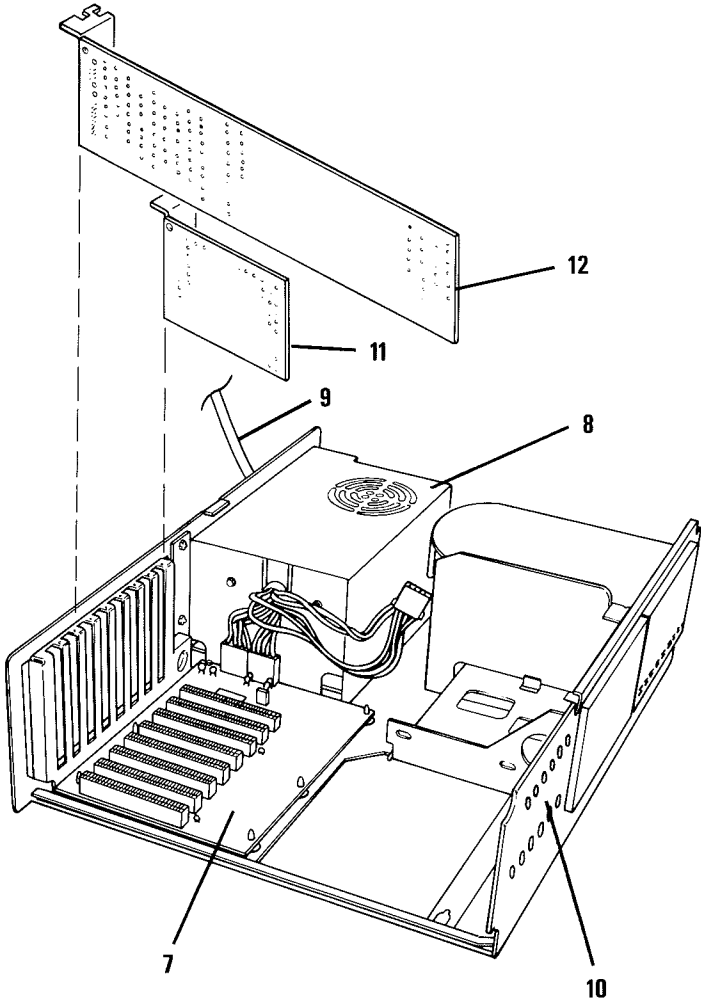


Figure 2 Expansion Unit (5161)

Expansion Unit (5161)

| Major Unit Code | Figure Index Number | Part Number | Description |
|-----------------|---------------------|-------------|--------------------|
| 311 | 2-7 | 8529250 | Expansion Board |
| 600 | 2-8 | 8529247 | Power Supply |
| 600 | 2-9 | 8529158 | Line Cord |
| 000 | 2-10 | 8529248 | Base Assembly |
| 314 | 2-11 | 8529251 | Receiver Card |
| 325 | 2-12 | 8529269 | Fixed Disk Adapter |

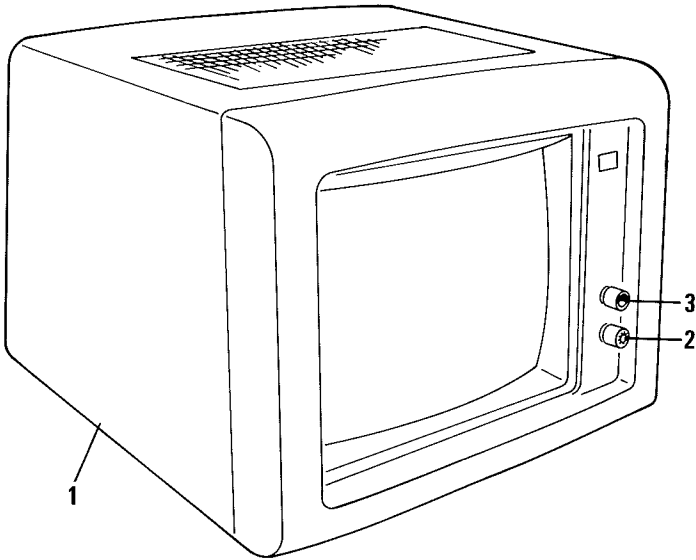


Figure 3 Monochrome Display (5151)

Monochrome Display (5151)

| Major Unit Code | Figure Index Number | Part Number | Description |
|-----------------|---------------------|-------------|--|
| 200 | 3-1 | 8529171 | Display Assembly |
| 200 | 3-2 | 8529177 | Brightness Knob |
| 200 | 3-3 | 8529178 | Contrast Knob |
| 200 | | 8529179‡ | Logo/Label Kit – Consisting of – Front Name Plate Label-FCC Label-Caution Rear Name Plate |
| | | 8529229‡ | Front Panel |
| | | 8529230‡ | Back Cover |
| | | 8529231‡ | Upper Cover Plug |
| | | 8529232‡ | Foot |
| | | 8529176‡ | Power Cord Holder |
| | | 8529173‡ | Signal Cable |
| | | 8529235‡ | Transformer |
| | | 8529237‡ | Control Support |
| | | 8529236‡ | Transformer Support |
| | | 8529175‡ | Fuse |
| | | 8529233‡ | Analog Card |
| | | 8529234‡ | PC Card |
| | | 8529174‡ | Power Cord |
| | | 8529180‡ | Display Misc. Hardware Kit – Consisting of – Display CRT Mounting Screw Display Transformer Screw Display CRT Mounting Support Display CRT Bracket to Front Panel Display Transformer Support Front Panel Display Rubber Bushing Screw Display Rubber Bushing Nut Display Cable Restraint Screw Display Star Washer |
| | | | ‡Restricted availability. |

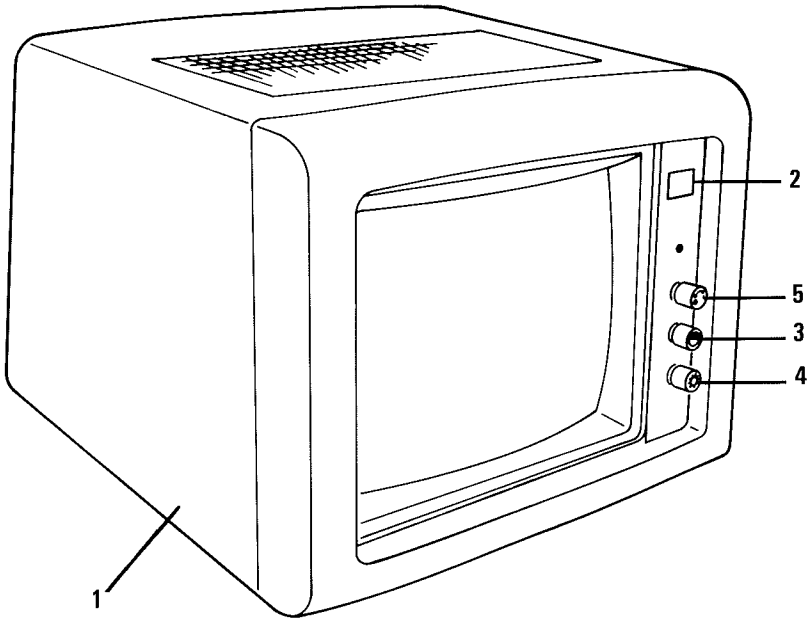


Figure 4 Color Display (5153)

Color Display (5153)

| Major Unit Code | Figure Index Number | Part Number | Description |
|-----------------|---------------------|-------------|--|
| 202 | 4-1 | 8529227 | Display Assembly |
| 202 | 4-2 | 8529339 | Logo/Label Kit |
| 202 | 4-3 | 8529287 | Brightness Knob |
| 202 | 4-4 | 8529288 | Contrast Knob |
| 202 | 4-5 | 8529289 | Power On/Off Knob |
| 202 | 4-6 | 8529158 | Power Cord |
| | | 8529285‡ | Front Cover with Top, Bottom, and Power Supply Brackets |
| | | 8529286‡ | Rear Cover |
| | | 8529323‡ | P.C. Board/Flyback Transformer Focus Pack/Horizontal Drive Transistor/Chassis |
| | | 8654275‡ | Degaussing Coil |
| | | 8529338‡ | Control Assembly |
| | | 8654276‡ | Power On Indicator |
| | | 8529291‡ | Power Supply Assembly |
| | | 8529290‡ | CRT and Yoke |
| | | 8529324‡ | CRT Drive Board and Shield Cable |
| | | 8529334‡ | Signal Cable |
| | | 8529336‡ | Power Receptacle/Line Filter Assembly |
| | | 8529335‡ | Vertical Size Pot Shaft Extension |
| | | 8529337‡ | Vertical Hold Pot Shaft Extension |
| | | 8529327‡ | Misc. Hardware Kit – Consisting of – Driver Board Shield Driver Board Shield Retainers Signal Cord Strain Relief Power Supply Screws CRT Mounting Screws CRT Mounting Washers Control Assembly Screws P.C. Board Chassis Mounting Screws Rear Cover Screws and Washers Cover Screw Plugs Degaussing Coil Wire Ties |
| | | 6937192‡ | Packing Material Kit |
| | | | ‡Restricted availability |

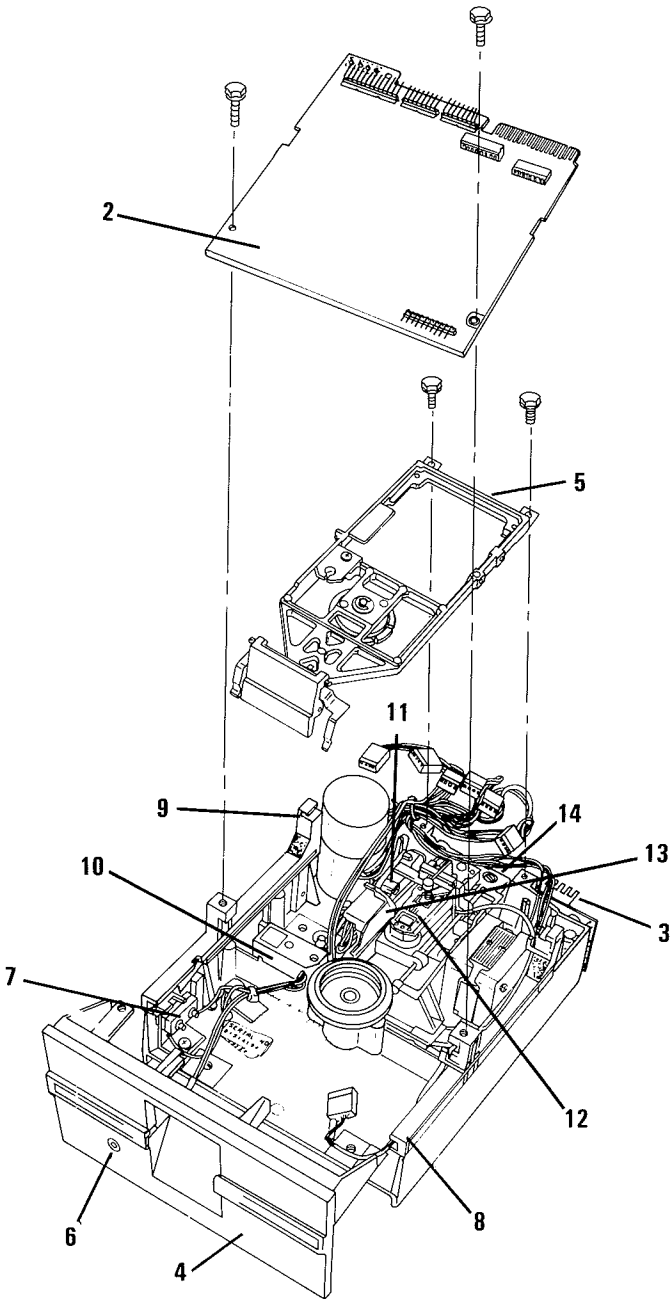


Figure 5 Diskette Drive Type 1

Diskette Drive Type 1

Use only in drives that have an A or B or no prefix in front of the serial number. The serial number is visible from the top of the drive.

| Major Unit Code | Figure Index Number | Part Number | Description |
|-----------------|---------------------|-------------|---|
| 827 | 1 | 8529153 | Diskette Drive Assembly/160KB |
| 830 | 1 | 8529206 | Diskette Drive Assembly/320KB |
| 827 | 2 | 8529226 | Diskette Drive Logic Printed Circuit Board |
| 827 | 3 | 8529256 | Servo Board |
| 827 | 4 | 8529293 | Front Panel |
| 827 | 5 | 8529267 | Cone Lever Assembly – Consisting of – Cone Lever Arm Cone Assembly Mounting Clips Latch Assembly |
| 827 | 6 | 8529258 | LED Assembly |
| 827 | 7 | 8529225 | Write Protect Switch |
| 827 | 8 | 8529261 | Guide Right |
| 827 | 9 | 8529262 | Guide Left |
| 827 | 10 | 8529257‡ | Index Assembly |
| 827 | 11 | 8529224‡ | Track 0 Switch |
| 827 | 12 | 8529264‡ | Module SSR/160KB |
| 830 | 12 | 8529210‡ | Module DSR/320KB |
| 827 | 13 | 8529265‡ | SSR Upper Arm |
| 827 | 14 | 8529266‡ | Track 0 Stop |
| | | | ‡Restricted availability |

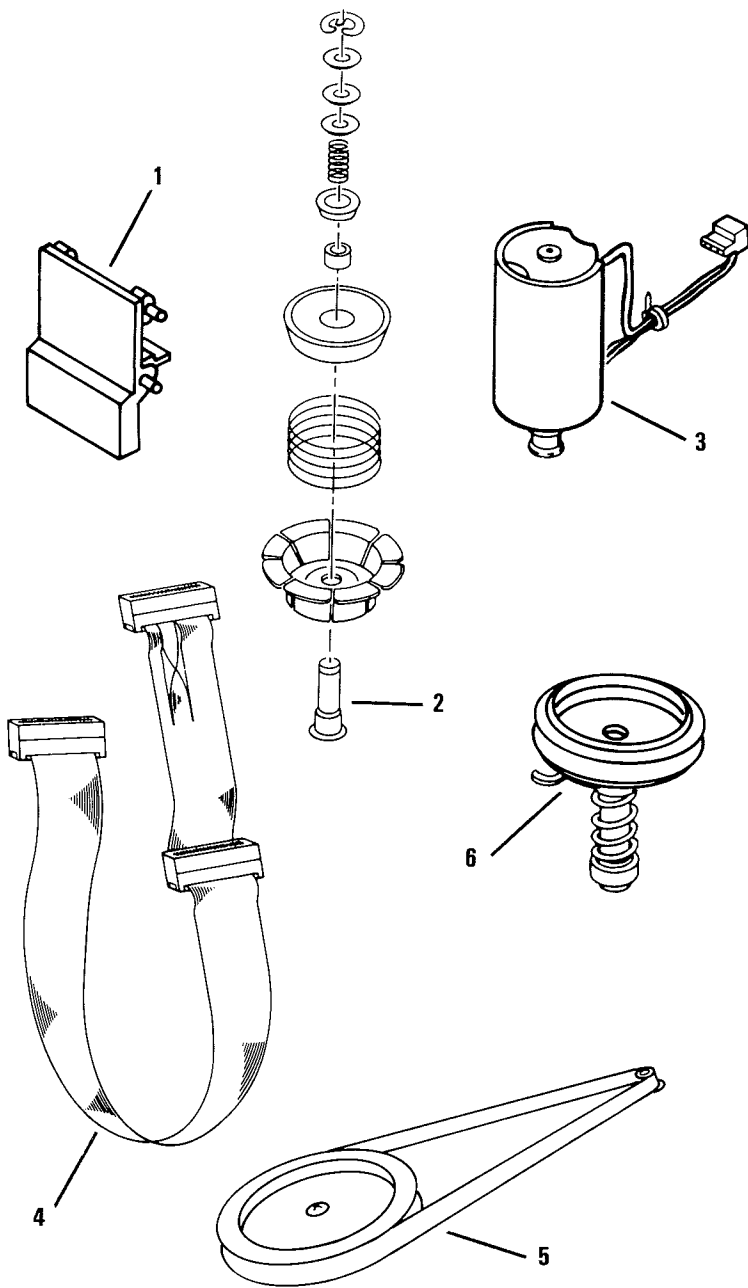


Figure 5 Diskette Drive Type 1

Diskette Drive Type 1

Use only in drives that have an A or B or no prefix in front of the serial number. The serial number is visible from the top of the drive.

| Major Unit Code | Figure Index Number | Part Number | Description |
|-----------------|---------------------|-------------|-------------------------------|
| 827 | 1 | 8529260 | Latch Assembly |
| 827 | 2 | 8529259 | Cone |
| 827 | 3 | 8529223 | Diskette Drive Motor |
| 827 | 4 | 8529159 | Signal Cable |
| 827 | 5 | 8529154 | Diskette Drive Belt |
| 827 | 6 | 8529263 | Spindle Assembly |
| | | | - Consisting of - |
| | | | Spindle |
| | | | Bearings |
| | | | Spring |
| | | | Sleeve |
| 827 | | 8529294 | Misc. Parts Kit |
| | | | - Consisting of - |
| | | | Servo Board Spacer |
| | | | Cone Shaft E Ring |
| | | | Cone Shaft Washers |
| | | | Front Panel Bushings |
| | | | Drive Motor Shouldered Washer |
| | | | Track 0 Adj. Switch Screw |
| | | | Track 0 Adj. Switch Screw E |
| | | | Carrier Ecc. Stud |
| | | | Carrier Ecc. Stud E Ring |
| | | | ‡Restricted Availability |

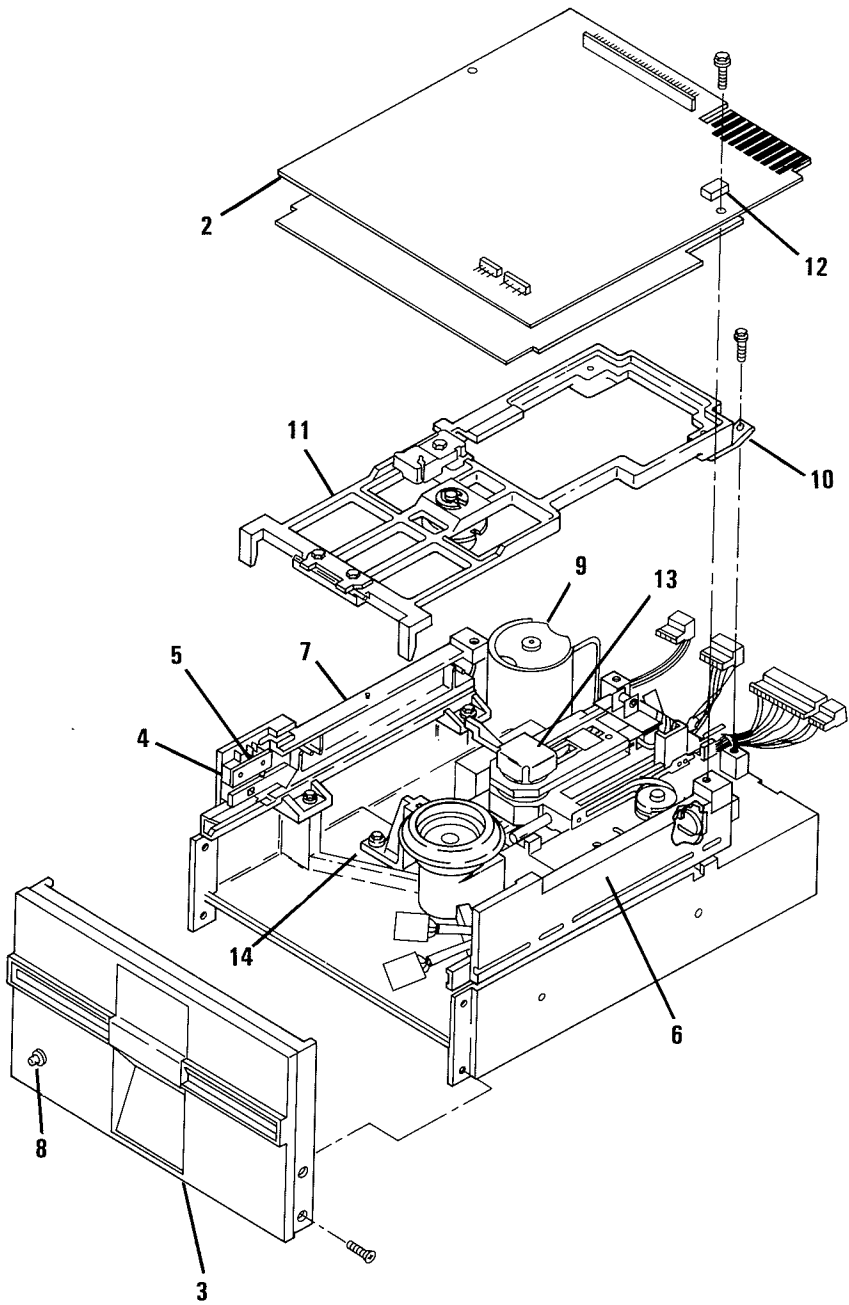


Figure 5 Diskette Drive Type 2

Diskette Drive Type 2

Use only in drives that have a D in front of the serial number. The serial number is visible from the top of the drive.

| Major Unit Code | Figure Index Number | Part Number | Description |
|-----------------|---------------------|-------------|---|
| 872 | 1 | 8529206 | Diskette Drive/320KB |
| 872 | 2 | 8654241 | Logic Board |
| 872 | 3 | 8654254 | Front Panel |
| 872 | 4 | 8654250 | Write Protect Switch |
| 872 | 5 | 8654260 | Nut Plate (write protect) |
| 872 | 6 | 8654245 | Guide Right |
| 872 | 7 | 8654244 | Guide Left |
| 872 | 8 | 8654249 | LED Assembly |
| 872 | 9 | 8654240 | Drive Motor |
| 872 | 10 | 8654261 | Leaf Spring |
| 872 | 11 | 8654243 | Cone Lever Arm Assembly |
| 872 | 12 | 8654252‡ | Shunt, Dip |
| 872 | 13 | 8654239‡ | Module DSR/320KB |
| 872 | 14 | 8654255‡ | Index Housing (lower) |
| 872 | | 8654259 | Misc. Parts Kit – Consisting of – Screws Washers Set Screws Pin Clamps |
| | | | ‡Restricted availability |

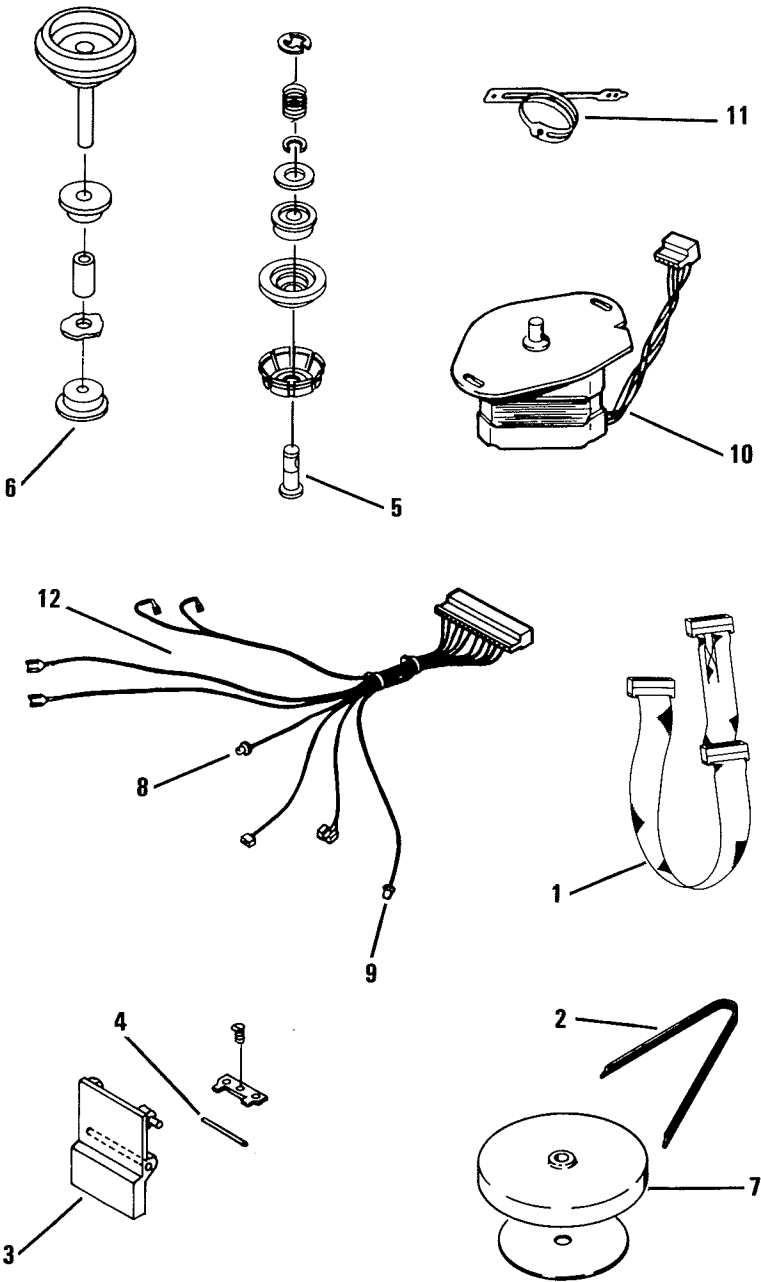


Figure 5 Diskette Drive Type 2

Diskette Drive Type 2

Use only in drives that have a D in front of the serial number. The serial number is visible from the top of the drive.

| Major Unit Code | Figure Index Number | Part Number | Description |
|-----------------|---------------------|-------------|---------------------------------------|
| 872 | 1 | 8529159 | Diskette Drive Signal Cable |
| 872 | 2 | 8654251 | Diskette Drive Belt |
| 872 | 3 | 8654242 | Latch |
| 872 | 4 | 8654262 | Latch Pin |
| 872 | 5 | 8654258 | Cone Assembly – Consisting of – |
| 872 | | | Retaining Clip |
| 872 | | | Washer, Special |
| 872 | | | Spring |
| 872 | | | Washer |
| 872 | | | Clip |
| 872 | | | Bearing |
| 872 | | | Insert |
| 872 | | | Cone |
| 872 | | | Cone Shaft |
| 872 | 6 | 8654256 | Spindle Assembly – Consisting of – |
| | | | Bearings |
| | | | Washer |
| | | | Spindle |
| 872 | 7 | 8654257 | Pulley Kit – Consisting of – |
| | | | Pulley |
| | | | Disk (strobe) |
| 872 | 8 | 8654247‡ | Index Sense (upper) |
| 872 | 9 | 8654248‡ | Index Sense (lower) |
| 872 | 10 | 8654237‡ | Stepper Assembly (motor) |
| 872 | 11 | 8654238‡ | Band (head) |
| 872 | 12 | 8654253‡ | Index Harness |
| | | | ‡Restricted availability |

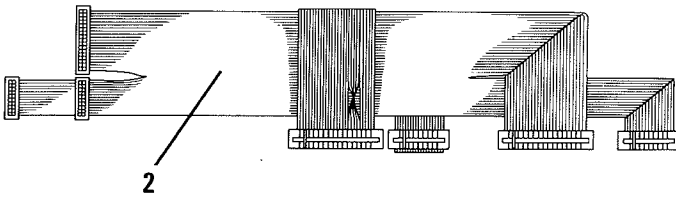
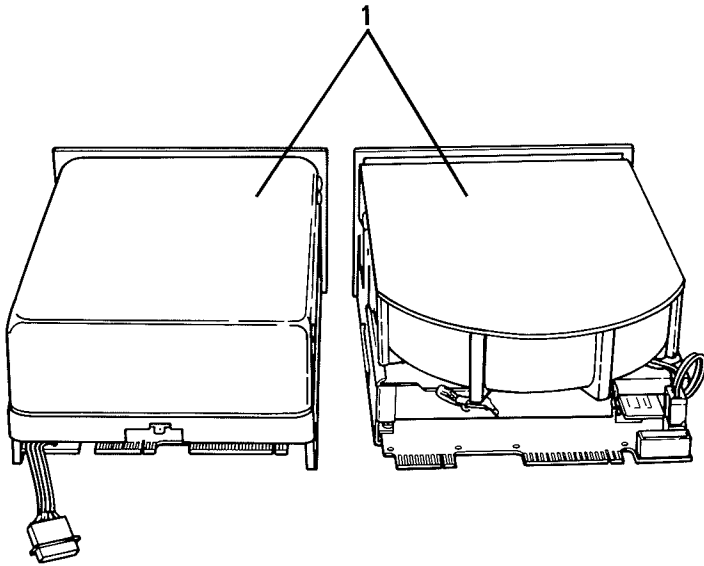


Figure 6 Fixed Disk Drive

Fixed Disk Drive

| Major Unit Code | Figure Index Number | Part Number | Description |
|-----------------|---------------------|-------------|--------------------|
| 865 | 6-1 | 8529268 | Fixed Disk Drive |
| 865 | 6-2 | 8529271 | Data/Control Cable |

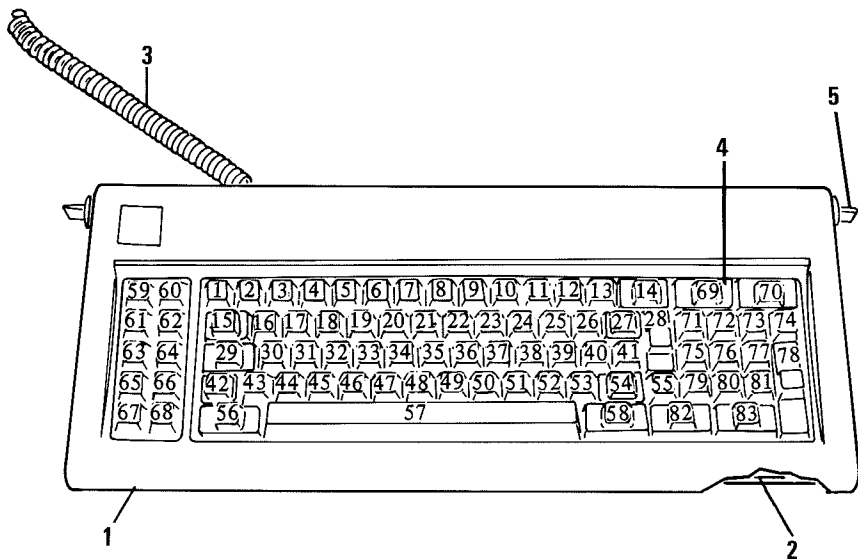


Figure 7 Keyboard

Keyboard

| Major Unit Code | Figure Index Number | Part Number | Description |
|-----------------|---------------------|-------------|---|
| 040 | 7-1 | 8529170 | Cover Assembly |
| 040 | 7-2 | 8529169 | Base Assembly |
| 040 | 7-3 | 8529168 | Cable Assembly |
| 040 | 7-4 | 8529166 | Keyboard Assembly |
| 040 | 7-5 | 8529157 | Adjustable Foot (Adjustable Foot Spring included in Miscellaneous Parts Kit for System Unit) |

Keybutton Part Numbers

(Major Unit Code 040)

| Key Location | Part Number | Description | Key Location | Part Number | Description |
|--------------|-------------|-------------|--------------|-------------|-------------|
| 1 | 4584714 | Esc | 43 | 5997221 | !/\ |
| 2 | 1761460 | ! 1 | 44 | 2658860 | Z |
| 3 | 1642308 | @ 2 | 45 | 2658861 | X |
| 4 | 1642309 | # 3 | 46 | 2658862 | C |
| 5 | 1642342 | \$ 4 | 47 | 2658863 | V |
| 6 | 1642343 | % 5 | 48 | 2658864 | B |
| 7 | 4496183 | ^ 6 | 49 | 2658865 | N |
| 8 | 2658824 | & 7 | 50 | 2658866 | M |
| 9 | 2658825 | * 8 | 51 | 1864026 | < , |
| 10 | 2658826 | 9 | 52 | 1864027 | > . |
| 11 | 2658827 | 0 | 53 | 2658869 | ? / |
| 12 | 1761515 | - / | 54 | 2658870 | ⏏ |
| 13 | 2658829 | + = | 55 | 4584718 | PrtSc |
| 14 | 1643315 | ← | 56 | 1643330 | Alt |
| 15 | 1643316 | ← → | 57 | N/A | SPACE BAR |
| 16 | 2658832 | Q | 58 | 4584719 | Caps Lock |
| 17 | 2658833 | W | 59 | 4584720 | F1 |
| 18 | 2658834 | E | 60 | 4584721 | F2 |
| 19 | 2658835 | R | 61 | 4584722 | F3 |
| 20 | 2658836 | T | 62 | 4584723 | F4 |
| 21 | 2658837 | Y | 63 | 4584724 | F5 |
| 22 | 2658838 | U | 64 | 4584725 | F6 |
| 23 | 2658839 | I | 65 | 4584726 | F7 |
| 24 | 2658840 | O | 66 | 4584727 | F8 |
| 25 | 2658841 | P | 67 | 4584728 | F9 |
| 26 | 4585286 | { / | 68 | 4584729 | F10 |
| 27 | 4585288 | } / | 69 | 4584730 | Num Lock |
| 28 | 5184235 | ← | 70 | 4584731 | Scroll Lock |
| 29 | 4584717 | CTRL | 71 | 4584732 | 7/Home |
| 30 | 2658846 | A | 72 | 4584733 | 8/↑ |
| 31 | 2658847 | S | 73 | 4584734 | 9/Pg Up |
| 32 | 2658848 | D | 74 | 1761511 | - |
| 33 | 2658849 | F | 75 | 4584735 | 4/← |
| 34 | 2658850 | G | 76 | 2658892 | 5 |
| 35 | 2658851 | H | 77 | 4584736 | 6/→ |
| 36 | 2658852 | J | 78 | 1761513 | + |
| 37 | 2658853 | K | 79 | 4584737 | 1/End |
| 38 | 2658854 | L | 80 | 4584739 | 2/↓ |
| 39 | 2658855 | : ; | 81 | 4584738 | 3/Pg Dn |
| 40 | 4584779 | " , | 82 | 4584740 | 0/Ins |
| 41 | 1642306 | ~ _ | 83 | 4584741 | . Del |
| 42 | 2658858 | ⏏ | | | |

For a complete set of key buttons order Part No. 4584657

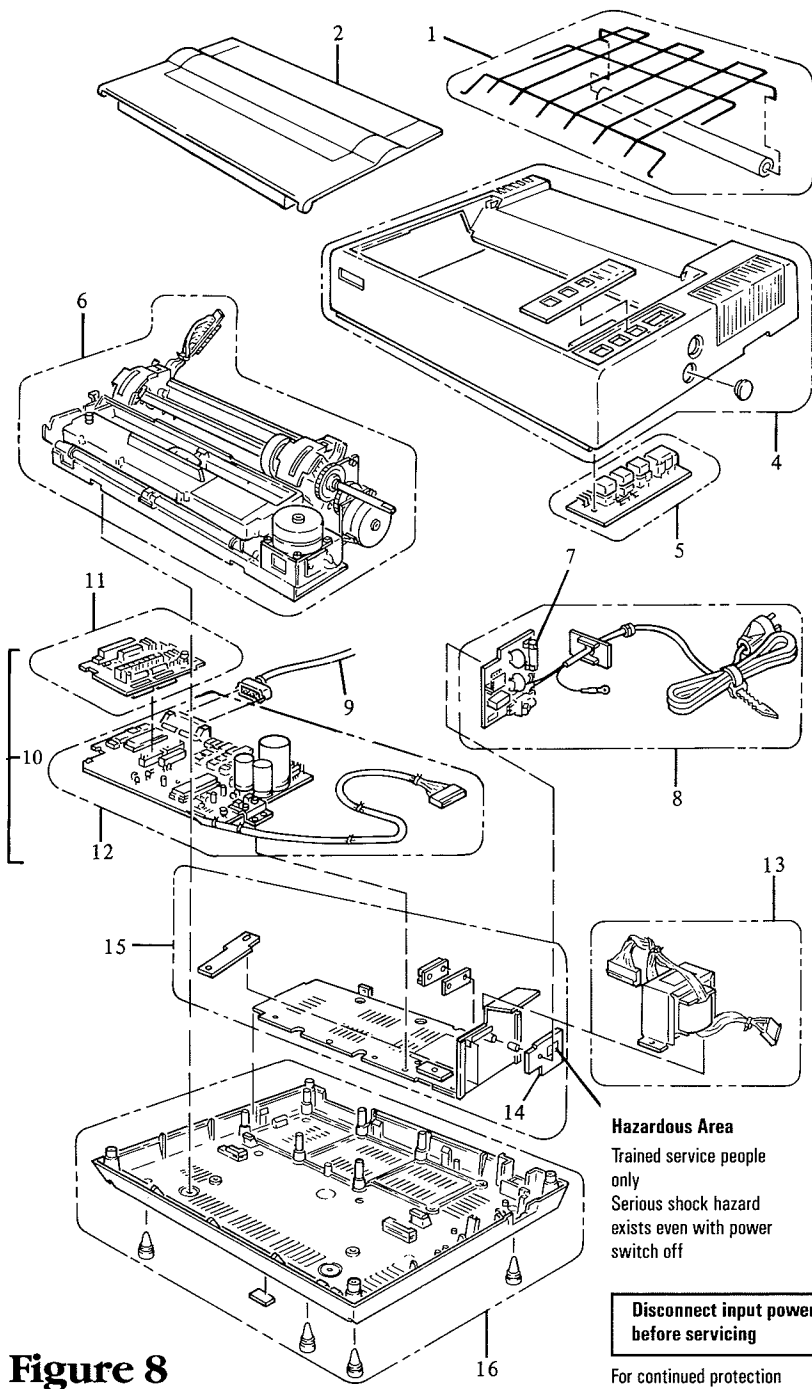


Figure 8
Printer (5152)

Hazardous Area

Trained service people
only
Serious shock hazard
exists even with power
switch off

**Disconnect input power
before servicing**

For continued protection
against fire hazard, replace
only with same type and
rating of fuse

Matrix Printer (5152)

| Major Unit Code | Figure Index Number | Part Number | Description |
|-----------------|---------------------|-------------|---|
| 554 | 8-1 | 8529191 | Forms Rack |
| 000 | 8-2 | 8529185 | Access Cover |
| 000 | 8-3 | 8529186 | Logo/Label Kit – Consisting of – Control Panel Label Nameplate Logo-Front Nameplate Logo-Rear Warning Label Bottom Label-FCC Warning Label-Safety Shield 1 ea. 120, 220, 240 Label-Rear |
| 000 | 8-4 | 8529182 | Top Cover |
| 000 | 8-5 | 8529184 | Control Panel |
| 551 | 8-6 | 8529198 | Print Mechanism Assembly |
| 600 | 8-7 | 8529220 | Fuse-2A |
| 600 | 8-8 | 8529187 | Fuse-Filter Card/Power Cord |
| 551 | 8-9 | 8529214 | Printer Cable |
| 318 | 8-10 | 8529268 | Control Cards, Graphics Printer – Consisting of – |
| 318 | 8-11 | 8529221‡ | Driver Card |
| 318 | 8-12 | 8529276‡ | Logic Card |
| 318 | 8-10 | 8529197‡ | Control Cards, Matrix Printer – Consisting of – |
| 318 | 8-11 | 8529221‡ | Driver Card |
| 318 | 8-12 | 8529222‡ | Logic Card |
| 600 | 8-13 | 8529196 | Power Transformer |
| 600 | 8-14 | 8529215 | Safety Shield |
| 600 | 8-15 | 8529217 | Heatsink/Power Transistor |
| 000 | 8-16 | 8529181 | Base Assembly |
| | | | ‡Restricted availability |

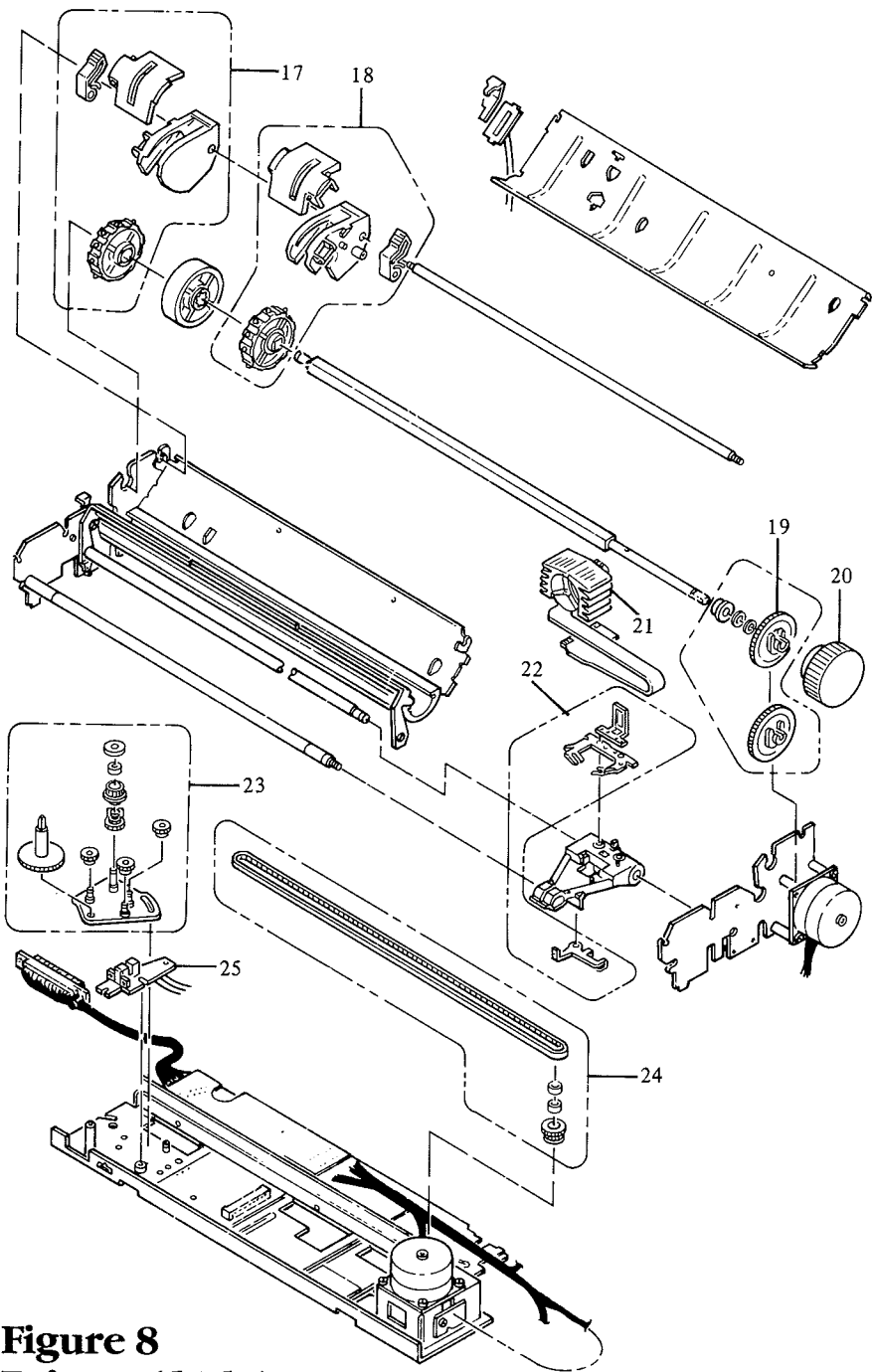


Figure 8
Printer (5152)

Matrix Printer (5152)

| Major Unit Code | Figure Index Number | Part Number | Description |
|-----------------|---------------------|-------------|--|
| 550 | 8-17 | 8529188 | Forms Tractor Assembly, Left |
| 550 | 8-18 | 8529216 | Forms Tractor Assembly, Right |
| 550 | 8-19 | 8529194 | Intermediate Gear |
| 550 | 8-20 | 8529193 | Forms Feed Knob |
| 551 | 8-21 | 8529183 | Print Head |
| 551 | 8-22 | 8529192 | Ribbon Shield |
| 551 | 8-23 | 8529195 | Carriage Drive Assembly |
| 551 | 8-24 | 8529190 | Carriage Belt |
| 551 | 8-25 | 8529189 | Left Margin Assembly |
| 000 | | 8529200 | Printer Misc Hardware - Consisting of - Plane Washers C.T.P. Screws Retaining Rings, Type E CP Screws with OW Cup Screws Spacers Outside Toothed Lock Washers CP Screws with SW Cup Screws (Binding Head) Hexagon Nuts CB Screws |
| 000 | | 8529218 | Printer Misc Springs - Consisting of - Spring Pin Leaf Spring Leaf Spring PE Lever Spring Headlock Lever Spring Scale Spring, Left Scale Spring, Right Paper Holding Cover Spring |
| 000 | | 8529219 | Printer Misc Parts - Consisting of - Board Spacing Paper Guide Roller Grommet Rubber Bumper A Rubber Bumper B Wire Band |

Notes:

INDEX

A

AC Safety Ground Locations

IBM Color Display 4-38

IBM Monochrome Display 4-35

System Unit & Expansion Unit Power Supplies 4-36

80 CPS Matrix Printer 110/120 Vac 4-37

80 CPS Matrix Printer 220/240 Vac 4-37

Access Cover (Matrix Printer)

Parts 7-28

Removal 5-132

Adjustments (see Removal/Replacement and Adjustments)

Asynchronous Communications Adapter

Locations 4-25

Parts 7-6

PICs 3-1100-1

Removal 5-173

Replacement 5-175

Attachments (see Option Adapters)

B

Binary Synchronous Communications Adapter

Locations 4-31

Parts 7-6

PICs 3-2000-1

Removal 5-173

Replacement 5-175

Base (see Keyboard Base)

Base Cover (Matrix Printer)

Locations 4-21

Parts 7-28

Removal 5-137

Replacement 5-138

C

Cables

Communications Adapter

Locations 4-26

Diskette Signal

Locations 4-7

Parts 7-18

Fixed Disk Drive Data/Control

Parts 7-24

Keyboard

Locations 4-24

Parts 7-26

Power Transformer (Matrix Printer)

Locations 4-17

Print Head

Locations 4-22

Parts 7-30

Printer Cable

Locations 4-20

Parts 7-28

Carriage Belt (Matrix Printer)

Locations 4-18

Parts 7-30

Removal 5-113

Replacement 5-116

Carriage Drive Assembly (Matrix Printer)

Locations 4-18

Parts 7-30

Removal 5-118

Replacement 5-119

Carriage Drive Shafts (Matrix Printer)

Locations 4-18

Carriage Motor (Matrix Printer)

Locations 4-17

Color/Graphics Monitor Adapter

Locations 4-26

Parts 7-6

PICs 3-500-1

Removal 5-173

Replacement 5-175

Cone Assembly

- Diskette Drive Type 1
 - Locations 4-5
 - Parts 7-16
 - Removal 5-7
 - Replacement 5-8
- Diskette Drive Type 2
 - Locations 4-8
 - Parts 7-20
 - Removal 5-49
 - Replacement 5-50

Connector Locations

- Control Panel (Matrix Printer) 4-21
- CN2, CN3, CN4, CN5, CN6 (Matrix Printer) 4-19
- Diskette Power Type 1 4-7
- Diskette Power Type 2 4-9
- Expansion Unit Rear Panel 4-11
- System Unit 4-39

Control Cards (Matrix Printer)

(see **Control Circuit Card** or **Driver Circuit Card**)

Control Circuit Card (Matrix Printer)

- Locations 4-17
- Parts 7-28
- Removal 5-121
- Replacement 5-125

Control Panel (Matrix Printer)

- Locations 4-21
- Parts 7-28
- Removal 5-131
- Replacement 5-131

Control Panel Connector

- Locations 4-21

Coprocessor

(see **IBM Math Coprocessor**)

Cover (System Unit)

- Parts 7-5
- Removal 5-187
- Replacement 5-188

D

Diskette Adapter

- Locations 4-27
- Parts 7-6
- PICs 3-600-1
- Removal 5-176
- Replacement 5-177

Diskette Drive

Cone Assembly

Type 1

- Locations 4-5
- Parts 7-16
- Removal 5-7
- Replacement 5-8

Type 2

- Locations 4-9
- Parts 7-20
- Removal 5-49
- Replacement 5-50

Cone Lever Arm

Type 1

- Locations 4-6
- Parts 7-16
- Removal 5-9
- Replacement 5-10

Type 2

- Locations 4-9
- Parts 7-20
- Removal 5-51
- Replacement 5-52

Diskette Drive A

Type 1

- Removal 5-11
- Replacement 5-13

Type 2

- Removal 5-53
- Replacement 5-55

Diskette Drive B

Type 1

- Removal 5-15
- Replacement 5-17

Diskette Drive (cont.)

Type 2

Removal 5-57

Replacement 5-59

Diskette Drive Logic Printed Circuit Board

Type 1

Locations 4-7

Parts 7-16

Removal 5-19

Replacement 5-21

Type 2

Locations 4-10

Parts 7-20

Removal 5-61

Replacement 5-62

Drive Belt

Type 1

Parts 7-18

Removal 5-23

Replacement 5-23

Type 2

Parts 7-22

Removal 5-63

Replacement 5-63

Drive Motor

Type 1

Locations 4-5

Parts 7-18

Removal 5-24

Replacement 5-25

Type 2

Locations 4-9

Parts 7-20

Removal 5-64

Replacement 5-65

Drive Motor Speed Adjustment

Type 1 5-26

Type 2 5-66

Drive Motor Preliminary Speed Adjustment

Type 1 5-31

Type 2 5-71

Diskette Drive (cont.)

Front Panel

Type 1

Locations 4-5

Parts 7-16

Removal 5-35

Replacement 5-36

Type 2

Locations 4-9

Parts 7-20

Removal 5-75

Replacement 5-76

Latch Assembly

Type 1

Locations 4-6

Parts 7-16

Removal 5-37

Replacement 5-38

Type 2

Locations 4-9

Parts 7-22

Removal 5-77

Replacement 5-78

LED Assembly

Type 1

Locations 4-5

Parts 7-16

Removal 5-39

Replacement 5-39

Type 2

Locations 4-9

Parts 7-20

Removal 5-79

Replacement 5-80

Left Diskette Guide

Type 1

Locations 4-5

Parts 7-16

Removal 5-40

Replacement 5-40

Type 2

Locations 4-9

Parts 7-20

Removal 5-81

Replacement 5-81

PICs 3-600-1

Diskette Drive (cont.)

Right Diskette Guide

Type 1

- Locations 4-5
- Parts 7-16
- Removal 5-41
- Replacement 5-41

Type 2

- Locations 4-9
- Parts 7-20
- Removal 5-82
- Replacement 5-82

Servo Board

Type 1

- Locations 4-5
- Parts 7-16
- Removal 5-42
- Replacement 5-42

Spindle Assembly

Type 1

- Locations 4-5
- Parts 7-18
- Removal 5-43
- Replacement 5-45

Type 2

- Locations 4-9
- Parts 7-22
- Removal 5-83
- Replacement 5-84

Write Protect Switch

Type 1

- Locations 4-5
- Parts 7-16
- Removal 5-47
- Replacement 5-48

Type 2

- Locations 4-9
- Parts 7-20
- Removal 5-85
- Replacement 5-86

**Display (see IBM Monochrome Display or
IBM Color Display)**

Drive Belt

Diskette Drive Type 1

Parts 7-18

Removal 5-23

Replacement 5-23

Diskette Drive Type 2

Parts 7-22

Removal 5-63

Replacement 5-63

Drive Motor

Diskette Drive Type 1

Locations 4-5

Motor Speed Adjustment 5-26

Parts 7-18

Preliminary Speed Adjustment 5-31

Removal 5-24

Replacement 5-25

Diskette Drive Type 2

Locations 4-9

Motor Speed Adjustment 5-66

Parts 7-20

Preliminary Speed Adjustment 5-71

Removal 5-64

Replacement 5-65

Driver Circuit Card (Printer)

Locations 4-17

Parts 7-28

Removal 5-128

Replacement 5-130

E

End-of-Forms Switch (Matrix Printer)

Locations 4-18

Expansion Unit

Cover

Parts 7-8

Removal 5-187

Replacement 5-188

Expansion Board

Locations 4-12

Parts 7-10

Removal 5-105

Replacement 5-107

Power Supply

Locations 4-12

Parts 7-10

Removal 5-189

Replacement 5-195

F

Fixed Disk Drive Adapter

Locations 4-27

Parts 7-6

PICs 3-1700-1

Removal 5-179

Replacement 5-181

Fixed Disk Drive

Locations 4-15

Parts 7-24

PICs 3-1700-1

Fixed Disk Drive C

Removal 5-87

Replacement 5-90

Fixed Disk Drive D

Removal 5-93

Replacement 5-96

Forms Feed Knob (Matrix Printer)

Parts 7-30

Removal 5-139

Forms Feed Motor (Matrix Printer)

Locations 4-17

Forms Rack (Matrix Printer)

Parts 7-28

Removal 5-140

Forms Tractor (Matrix Printer)

Locations 4-17
Parts 7-30
Removal 5-141
Replacement 5-142

Front Panel

Diskette Type 1
Locations 4-5
Parts 7-16
Removal 5-35
Replacement 5-36

Diskette Type 2
Locations 4-9
Parts 7-20
Removal 5-75
Replacement 5-76

Fuse (Matrix Printer)

Locations 4-17
Parts 7-28
Removal 5-143

Fuse-Filter Card/Power Cord Assembly (Matrix Printer)

Locations 4-17
Parts 7-28
Removal 5-144
Replacement 5-145

G

Game Control Adapter

Locations 4-28
Parts 7-6
PICs 3-1300-1
Removal 5-173
Replacement 5-175

Ground Locations

IBM Color Display 4-38
IBM Monochrome Display 4-35
System Unit & Expansion Unit Power Supplies 4-36
80 CPS Matrix Printer 110/120 Vac 4-37
80 CPS Matrix Printer 220/240 Vac 4-37

H

Heat Sink/Power Transistor Assembly

- Locations 4-17
- Parts 7-28
- Removal 5-146
- Replacement 5-147

I

IBM Color Display

- Color Trimmer Capacitor Adjustment 5-101
- Parts 7-14
- PICs 3-500-1
- Removal 5-100
- Replacement 5-100
- Vertical Hold Adjustment 5-102
- Vertical Size Adjustment 5-103

IBM Math Coprocessor

- Locations 4-41
- Parts 7-6
- PICs 3-700-1
- Removal 5-204
- Replacement 5-207

IBM Monochrome Display

- Ground Locations 4-35
- Parts 7-12
- PICs 3-400-1
- Removal 5-99
- Replacement 5-99

IBM Monochrome Display and Printer Adapter

- Locations 4-29
- Parts 7-6
- PICs 3-400-1
- Removal 5-173
- Replacement 5-175

IBM 80 CPS Matrix Printer

- Access Cover
 - Parts 7-28
 - Removal 5-132

IBM 80 CPS Matrix Printer (cont.)

Base Cover

Locations 4-21

Parts 7-28

Removal 5-137

Replacement 5-138

Carriage Belt

Adjustment 5-111

Locations 4-18

Parts 7-30

Removal 5-113

Replacement 5-116

Carriage Drive Assembly

Locations 4-18

Parts 7-30

Removal 5-118

Replacement 5-119

Carriage Motor

Locations 4-17

Carriage Shafts

Locations 4-18

Control Circuit Card

Locations 4-17

Parts 7-28

Removal 5-121

Replacement 5-125

Control Panel

Locations 4-21

Parts 7-28

Removal 5-131

Replacement 5-131

Control Panel Connector

Locations 4-21

Driver Circuit Card

Locations 4-17

Parts 7-28

Removal 5-128

Replacement 5-130

End-of-Forms Switch

Locations 4-18

Forms Feed Knob

Parts 7-30

Removal 5-139

Forms Rack

Parts 7-28

Removal 5-140

IBM 80 CPS Matrix Printer (cont.)

Forms Feed Motor

Locations 4-17

Forms Tractor

Locations 4-17

Parts 7-30

Removal 5-141

Replacement 5-142

Fuse

Locations 4-17

Parts 7-28

Removal 5-143

Fuse-Filter Card/Power Cord Assembly

Locations 4-17

Parts 7-28

Removal 5-144

Replacement 5-145

Ground Locations

110/120 Vac 4-37

220/240 Vac 4-37

Heat Sink/Power Transistor Assembly

Locations 4-17

Parts 7-28

Removal 5-146

Replacement 5-147

Intermediate Gear

Locations 4-18

Parts 7-30

Removal 5-148

Replacement 5-149

Left Margin Sensor

Adjustment 5-150

Locations 4-22

Parts 7-30

Removal 5-156

Replacement 5-157

PICs 3-1400-1

Platen

Locations 4-18

Power Transformer

Locations 4-17

Parts 7-28

Removal 5-158

Replacement 5-159

IBM 80 CPS Matrix (cont.)

Print Head

Locations 4-18

Parts 7-30

Removal 5-160

Replacement 5-162

Print Head Cable

Locations 4-22

Printer Switch Settings 5-121

Print Head Gap

Adjustment 5-163

Locations 4-18

Print Mechanism Assembly

Locations 4-18

Parts 7-28

Removal 5-164

Replacement 5-165

Ribbon Cartridge

Locations 4-17

Ribbon Shield

Locations 4-18

Parts 7-30

Removal 5-168

Replacement 5-169

Safety Shield

Locations 4-17

Parts 7-28

Removal 5-171

Replacement 5-172

Top Cover

Locations 4-21

Parts 7-28

Removal 5-133

Replacement 5-135

Intermediate Gear (Matrix Printer)

Locations 4-18

Parts 7-30

Removal 5-148

Replacement 5-149

K

Keyboard

Base

- Locations 4-24
- Parts 7-26
- Removal 5-109
- Replacement 5-109

Cable

- Locations 4-24
- Parts 7-26

Keyboard Assembly

- Locations 4-24
- Parts 7-26
- Removal 5-110
- Replacement 5-110

Keybutton Positions

- Locations 4-23
- Parts 7-26

PICs 3-300-1

Top Cover

- Locations 4-24
- Parts 7-26

L

Latch Assembly

Diskette Type 1

- Locations 4-6
- Parts 7-16
- Removal 5-37
- Replacement 5-38

Diskette Type 2

- Locations 4-9
- Parts 7-22
- Removal 5-77
- Replacement 5-78

Led Assembly

Diskette Type 1

- Locations 4-5
- Parts 7-16
- Removal 5-39
- Replacement 5-39

LED Assembly (cont.)

Diskette Type 2

Locations 4-9

Parts 7-20

Removal 5-79

Replacement 5-80

Left Diskette Guide

Diskette Type 1

Locations 4-5

Parts 7-16

Removal 5-40

Replacement 5-40

Diskette Type 2

Locations 4-9

Parts 7-20

Removal 5-81

Replacement 5-81

Left Margin Sensor (Matrix Printer)

Adjustment 5-150

Locations 4-22

Parts 7-30

Removal 5-156

Replacement 5-157

Locations

AC Safety Ground Locations

IBM Color Display 4-38

IBM Monochrome Display 4-35

System Unit & Expansion Unit Power Supplies 4-36

80 CPS Matrix Printer 110/120 Vac 4-37

80 CPS Matrix Printer 220/240 Vac 4-37

Diskette Drive Type 1

Cone Assembly 4-5

Cone Lever Arm 4-6

Diskette Logic Printed Circuit Board 4-7

Diskette Motor 4-5

Front Panel 4-5

Latch Assembly 4-6

LED Assembly 4-5

Left Guide 4-5

Power Connector 4-7

Right Guide 4-5

Servo Board 4-5

Signal Cable 4-7

Spindle Assembly 4-6

Locations (cont.)

- Write Protect Switch 4-5
- Diskette Drive Type 2
 - Cone Assembly 4-9
 - Cone Lever Arm 4-9
 - Diskette Logic Printed Circuit Board 4-10
 - Diskette Motor 4-9
 - Front Panel 4-9
 - Latch Assembly 4-9
 - LED Assembly 4-9
 - Left Guide 4-9
 - Power Connector 4-9
 - Right Guide 4-9
 - Spindle Assembly 4-9
 - Write Protect Switch 4-9
- Expansion Unit
 - Power Supply 4-12
 - Rear Panel Connectors 4-11
 - Expansion Board 4-12
 - Expansion Slots 4-13
 - Extender Card 4-14
 - Receiver Card 4-14
- Fixed Disk Drive
 - Drive Assembly 4-15
- Printer (IBM 80 CPS Matrix Printer)
 - Base Cover 4-21
 - CN2 4-19
 - CN3 4-19
 - CN4 4-19
 - CN5 4-19
 - CN6 4-19
 - Carriage Belt 4-18
 - Carriage Drive Assembly 4-18
 - Carriage Motor 4-17
 - Carriage Shafts 4-18
 - Control Circuit Card 4-17
 - Control Panel 4-21
 - Control Panel Connector 4-21
 - Driver Circuit Card 4-17
 - End-of-Forms Switch 4-18
 - Forms Feed Motor 4-17
 - Forms Tractor 4-17
 - Fuse 4-17
 - Fuse-Filter Card 4-17
 - Intermediate Gear 4-18
 - Heat Sink/Power Transistor 4-17

Locations (cont.)

- Left Margin Sensor 4-18
- Platen 4-18
- Power Transformer 4-17
- Power Transformer Primary Cable 4-17
- Print Head 4-18
- Print Head Cable 4-22
- Print Head Gap Adjusting Lever 4-18
- Print Mechanism Assembly 4-18
- Printer Cable 4-20
- Ribbon Cartridge 4-17
- Ribbon Shield 4-18
- Safety Shield 4-17
- Top Cover 4-21

Keyboard

- Base 4-24
- Cable 4-24
- Keyboard Assembly 4-24
- Keybutton Position 4-23
- Top Cover 4-24

Option Adapters

- Asynchronous Communications Adapter 4-25
- Asynchronous Communications
 - Adapter Address Module 4-25
- Binary Synchronous Communications Adapter 4-31
- Binary Synchronous Communications
 - Adapter Address Jumper 4-31
- Color/Graphics Monitor Adapter 4-26
- Communications Adapter Cable 4-26
- 5-1/4" Diskette Drive Adapter 4-27
- Fixed Disk Drive Adapter 4-27
- Game Control Adapter 4-28
- 64KB Memory Expansion Option 4-28
- 64KB/256KB Memory Expansion Option 4-29
- IBM Monochrome Display and Printer Adapter 4-29
- Printer Adapter 4-30
- Prototype Card 4-30
- Synchronous Data Link Control Adapter 4-31

Option Parameters

- Option Location Parameters 4-33

Safety Ground Locations

- IBM Color Display 4-38
- IBM Monochrome Display 4-35
- System Unit & Expansion Unit Power Supplies 4-36
- 80 CPS Matrix Printer 110/120 Vac 4-37
- 80 CPS Matrix Printer 220/240 Vac 4-37

Locations (cont.)

System Unit

- Math Coprocessor 4-41
- Power Supply 4-40
- Rear Panel Connectors 4-39
- Speaker 4-40
- System Board 4-41
- System Expansion Slots 4-41

Logic Printed Circuit Board

Diskette Type 1

- Locations 4-7
- Parts 7-16
- Removal 5-19
- Replacement 5-21

Diskette Type 2

- Locations 4-10
- Parts 7-20
- Removal 5-61
- Replacement 5-62

M

Memory (see 16KB Memory Module Kit, 64KB Memory Module Kit or 64/256KB Memory Expansion Option)

Memory Modules (see 16KB Memory Module or 64KB Memory Module)

O

Option Adapter

- Locations 4-25
- Parts 7-6
- Removal 5-173
- Replacement 5-175

Option Expansion Slots (see System Expansion Slots)

Option Location Parameters 4-33

P

Parts Catalog 7-1

PICs (Problem Isolation Charts)

- Asynchronous Communications Adapter 3-1100-1
- Alternate Asynchronous Communications Adapter 3-1200-1
- Alternate Binary Synchronous Communications Adapter 3-2100-1
- Binary Synchronous Communications Adapter 3-2000-1
- Diskette Drive 3-600-1
- Display (Color/Graphics) 3-500-1
- Display (Monochrome) 3-400-1
- Expansion Unit 3-1800-1
- Fixed Disk Drive 3-1700-1
- Game Control Adapter 3-1300-1
- Keyboard 3-300-1
- Math Coprocessor 3-700-1
- Memory 3-200-1
- Power 3-020-1
- Printer 3-1400-1
- Printer Adapter 3-900-1
- Start 3-2
- Synchronous Data Link Adapter 3-1500-1
- System Board 3-100-1
- Undetermined Problem 3-010-1

Platen

- Locations 4-18

Power

- PIC 3-020-1

Power Connector

- Diskette Type 1
 - Locations 4-7
- Diskette Type 2
 - Locations 4-9
- System Board
 - Locations 4-41

Power Cord

- Printer (see Fuse-Filter Card/Power Cord)
- System Unit
 - Parts 7-6

Power Supply

Expansion Unit

Ground Locations 4-36

Locations 4-12

Parts 7-10

Removal 5-189

Replacement 5-195

System Unit

Ground Locations 4-36

Locations 4-40

Parts 7-6

Removal 5-189

Replacement 5-195

Power Transformer (Printer)

Locations 4-17

Parts 7-28

PICs 3-1400-1

Removal 5-158

Replacement 5-159

Printer (see IBM 80 CPS Matrix Printer)

Print Head

Locations 4-18

Parts 7-30

PICs 3-1400-1

Removal 5-160

Replacement 5-162

Print Head Cable

Locations 4-22

PICs 3-1400-1

Print Head Gap Adjustment 5-163

Print Mechanism Assembly

Locations 4-18

Parts 7-28

PIC 3-1400-1

Removal 5-164

Replacement 5-165

Printer Adapter

Locations 4-30

Parts 7-6

Printer Adapter (cont.)

PICs 3-900-1

Removal 5-173

Replacement 5-175

Printer Cable

Locations 4-20

Printer Switch Settings 5-121

R

Removal/Replacement and Adjustments

Diskette Drive Type 1

Cone Assembly 5-7

Cone Lever Arm 5-9

Diskette Logic Printed Circuit Board 5-19

Diskette Motor 5-24

Front Panel 5-35

Latch Assembly 5-37

LED Assembly 5-39

Left Guide 5-40

Power Connector 5-12

Right Guide 5-41

Servo Board 5-42

Spindle Assembly 5-43

Write Protect Switch 5-47

Diskette Drive Type 2

Cone Assembly 5-49

Cone Lever Arm 5-51

Diskette Logic Printed Circuit Board 5-61

Diskette Motor 5-64

Front Panel 5-75

Latch Assembly 5-77

LED Assembly 5-79

Left Guide 5-81

Power Connector 5-58

Right Guide 5-82

Spindle Assembly 5-83

Write Protect Switch 5-85

Fixed Disk Drive

Drive C 5-87

Drive D 5-93

Removal/Replacement and Adjustments (cont.)

Display

- Monochrome Display 5-99
- Color Display 5-100
- Color Trimmer Capacitor (adjustment) 5-101
- Vertical Hold (adjustment) 5-102
- Vertical Size (adjustment) 5-103

Expansion Unit

- Cover (See System Unit Cover 5900) 5-187
- Power Supply (See System Unit Power Supply 5910) 5-189
- Expansion Board 5-105

Keyboard

- Base 5-109
- Keyboard Assembly 5-110

Printer (IBM 80 CPS Matrix Printer)

- Carriage Belt 5-111
- Carriage Drive Assembly 5-118
- Control Cards
 - Control Circuit Card 5-121
 - Driver Circuit Card 5-128

Control Panel 5-131

Covers 5-132

Forms Feed Knob 5-139

Forms Rack 5-140

Forms Tractor 5-141

Fuse 5-143

Fuse-Filter Card/Power Cord 5-144

Heat Sink/Power Transistor Assembly 5-146

Intermediate Gear 5-148

Left Margin Sensor 5-150

Power Transformer 5-158

Print Head 5-160

Print Mechanism Assembly 5-164

Ribbon Shield 5-168

Safety Shield 5-171

Option Adapters

Option Adapters 5-173

Diskette Drive Adapter 5-176

Fixed Disk Drive Adapter 5-179

64KB Memory Module 5-184

System Unit

Cover 5-187

Power Supply 5-189

Memory Module 5-196

Speaker 5-199

Ribbon Cartridge

Locations 4-17

Ribbon Shield

Locations 4-18

Parts 7-30

Removal 5-168

Replacement 5-169

S

Safety Ground Locations

IBM Color Display 4-38

IBM Monochrome Display 4-35

System Unit & Expansion Unit Power Supplies 4-36

80 CPS Matrix Printer 110/120 Vac 4-37

80 CPS Matrix Printer 220/240 Vac 4-37

Safety Shield (Printer)

Locations 4-17

Parts 7-28

Removal 5-171

Replacement 5-172

Servo Board (Diskette)

Locations 4-5

Parts 7-16

PICs 3-600-1

Removal 5-42

Replacement 5-42

Signal Cable (Diskette)

Locations 4-7

Parts 7-18

PICs 3-600-1

Speaker

Locations 4-40

Parts 7-6

PICs 3-2

Removal 5-199

Spindle Assembly

Diskette Type 1

- Locations 4-6
- Parts 7-18
- PICs 3-600-1
- Removal 5-43
- Replacement 5-45

Diskette Type 2

- Locations 4-9
- Parts 7-22
- PICs 3-600-1
- Removal 5-83
- Replacement 5-84

Start

- PICs 3-2

Switch Settings

- System 6-1
- Printer 5-121

System Board

- Locations 4-41
- Parts 7-6
- PICs 3-100-1
- Removal 5-200
- Replacement 5-202

System Expansion Slots

- Locations 4-41

System Unit

Cover

- Parts 7-5
- Removal 5-187
- Replacement 5-188

Power Supply

- Locations 4-40
- Parts 7-6
- Removal 5-189
- Replacement 5-195

Speaker

- Locations 4-40
- Parts 7-6
- Removal 5-199

System Unit (cont.)

Switch Settings 6-1

System Board

Locations 4-41

Parts 7-6

PICs 3-100-1

Removal 5-200

Replacement 5-202

T

Terminating Resistor 4-10

Top Cover

Keyboard

Locations 4-24

Parts 7-26

Printer

Locations 4-21

Parts 7-28

Removal 5-133

Replacement 5-135

W

Write Protect Switch

Diskette Drive Type 1

Locations 4-5

Parts 7-16

PICs 3-600-1

Removal 5-47

Replacement 5-48

Diskette Drive Type 2

Locations 4-9

Parts 7-20

PICs 3-600-1

Removal 5-85

Replacement 5-86

Numerics

16KB Memory Module

Parts 7-6

Removal 5-196

Replacement 5-158

16KB-64KB CPU System Board (see System Board)

64KB Memory Module

Parts 7-6

Removal 5-184, 5-196

Replacement 5-146, 5-186, 5-198

64KB-256KB CPU System Board (see System Board)

64/256KB Memory Expansion Option

Locations 4-29

Parts 7-6

PICs 3-200-1

Removal 5-173

Replacement 5-175





Reader's Comment Form

**HARDWARE MAINTENANCE
& SERVICE**

1502233

Your comments assist us in improving the usefulness of our publication; they are an important part of the input used for revisions.

IBM may use and distribute any of the information you supply in any way it believes appropriate without incurring any obligation whatever. You may, of course, continue to use the information you supply.

Please do not use this form for technical questions regarding the IBM Personal Computer or programs for the IBM Personal Computer, or for requests for additional publications; this only delays the response. Instead, direct your inquiries or request to your authorized IBM Personal Computer dealer.

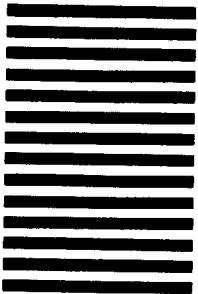
Comments:

Fold here

IBM PERSONAL COMPUTER
SALES & SERVICE
P.O. BOX 1328-C
BOCA RATON, FLORIDA 33432

POSTAGE WILL BE PAID BY ADDRESSEE

BUSINESS REPLY MAIL
FIRST CLASS PERMIT NO. 321 BOCA RATON, FLORIDA 33432



NO POSTAGE
NECESSARY
IF MAILED
IN THE
UNITED STATES





Reader's Comment Form

HARDWARE MAINTENANCE & SERVICE

1502233

Your comments assist us in improving the usefulness of our publication; they are an important part of the input used for revisions.

IBM may use and distribute any of the information you supply in any way it believes appropriate without incurring any obligation whatever. You may, of course, continue to use the information you supply.

Please do not use this form for technical questions regarding the IBM Personal Computer or programs for the IBM Personal Computer, or for requests for additional publications; this only delays the response. Instead, direct your inquiries or request to your authorized IBM Personal Computer dealer.

Comments:

Tape

Please do not staple

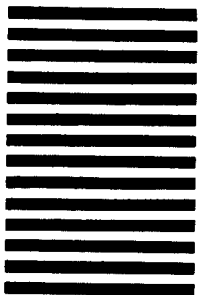
Tape

Fold here

IBM PERSONAL COMPUTER
SALES & SERVICE
P.O. BOX 1328-C
BOCA RATON, FLORIDA 33432

POSTAGE WILL BE PAID BY ADDRESSEE

BUSINESS REPLY MAIL
FIRST CLASS PERMIT NO. 321 BOCA RATON, FLORIDA 33432



NO POSTAGE
NECESSARY
IF MAILED
IN THE
UNITED STATES





Reader's Comment Form

**HARDWARE MAINTENANCE
& SERVICE**

1502233

Your comments assist us in improving the usefulness of our publication; they are an important part of the input used for revisions.

IBM may use and distribute any of the information you supply in any way it believes appropriate without incurring any obligation whatever. You may, of course, continue to use the information you supply.

Please do not use this form for technical questions regarding the IBM Personal Computer or programs for the IBM Personal Computer, or for requests for additional publications; this only delays the response. Instead, direct your inquiries or request to your authorized IBM Personal Computer dealer.

Comments:

Tape

Please do not staple

Tape

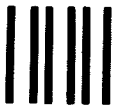
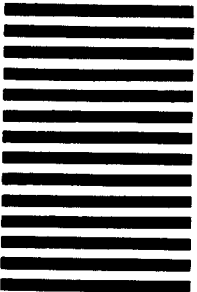
Fold here

IBM PERSONAL COMPUTER
SALES & SERVICE
P.O. BOX 1328-C
BOCA RATON, FLORIDA 33432

POSTAGE WILL BE PAID BY ADDRESSEE

FIRST CLASS PERMIT NO. 321 BOCA RATON, FLORIDA 33432

BUSINESS REPLY MAIL



NO POSTAGE
NECESSARY
IF MAILED
IN THE
UNITED STATES



Reader's Comment Form

HARDWARE MAINTENANCE & SERVICE

1502233

Your comments assist us in improving the usefulness of our publication; they are an important part of the input used for revisions.

IBM may use and distribute any of the information you supply in any way it believes appropriate without incurring any obligation whatever. You may, of course, continue to use the information you supply.

Please do not use this form for technical questions regarding the IBM Personal Computer or programs for the IBM Personal Computer, or for requests for additional publications; this only delays the response. Instead, direct your inquiries or request to your authorized IBM Personal Computer dealer.

Comments:

Tape

Please do not staple

Tape

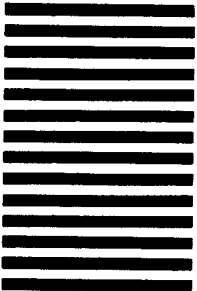
Fold here

IBM PERSONAL COMPUTER
SALES & SERVICE
P.O. BOX 1328-C
BOCA RATON, FLORIDA 33432

POSTAGE WILL BE PAID BY ADDRESSEE

FIRST CLASS PERMIT NO. 321 BOCA RATON, FLORIDA 33432

BUSINESS REPLY MAIL



NO POSTAGE
NECESSARY
IF MAILED
IN THE
UNITED STATES