

Specifications

ORDER NUMBERS**P5200/P5300 Series Printers**

- 80-column parallel interface with NEC 24-wire Pinwriter and Epson LQ emulation, built-in tractor and tear bar and standard sheet guide — No. P5200
- 136-column parallel interface with NEC 24-wire Pinwriter and Epson LQ emulation, built-in tractor and tear bar and standard sheet guide — No. P5300

Interface Board

- Serial interface board (user-installable), up to 19.2 KB transmission rate — No. 5206

Color Printing Kit

- Snap-in cartridge providing 8-color printing capability compatible with Pinwriter P5XL/P9XL/CP6/CP7 models — No. 5205

Font Cards

- Times 10 Point Greek-Tech Math No. 97-701
- Helvette 10 Point Greek-Tech Math
- OCR-A/OCR-B/Bar Code 39/UPC-EAN Bar Codes No. 97-702
- Letter Gothic 10 Pitch/Letter Gothic No. 97-703
- 12 Pitch/Letter Gothic 5 Pitch
- Times® 18 Point/Times 24 Point No. 97-704
- Helvette 18 Point/Helvette 24 Point No. 97-705
- ITC Bookman 10 Point/ITC Bookman No. 97-706
- 18 Point/ITC Bookman 24 Point
- Super Focus 10 Pitch/Letter Gothic 15 Pitch No. 97-707
- Bold Italic PS/Prestige Pica 10 Pitch No. 97-708

Paper Handling Options

- Sheet feeder for P5200 — No. 4603
- Sheet feeder for P5300 — No. 4703

Ribbons

- Black multistrike film ribbon — No. 50-067
- Four-color fabric ribbon — No. 50-068
- Black fabric ribbon — No. 50-066

SPECIFICATIONS**Print Rate**

- High-speed draft (12 pitch) — 265 cps
- Normal draft (12 pitch) — 175 cps
- Normal draft (10 pitch) — 220 cps
- Letter-quality (12 pitch) — 90 cps
- Letter-quality (10 pitch) — 75 cps

Graphic Resolution

- Up to 360 × 360 dpi

Print Head

- Impact, 24-wire dot matrix
- 0.2 mm diameter
- 2 × 12 staggered array

Vertical Line Spacing

- 6 or 8 lines per inch (lpi)
- Programmable up to n/360 lpi

Print Line Length

- 8 inches (P5200)
- 13.6 inches (P5300)

Special Features

- Built-in push tractor
- Standard paper parking
- Auto paper loading
- Printer menu memory set
- Operator panel with touch controls
- Triple-width characters
- Double-width characters
- Double-height characters

Resident Type Fonts and Variations

- Draft Gothic — 10, 12, 15, 17, and 20 pitches
- LQ Courier — 10, 12, 15, 17, and 20 pitches
- LQ Bold Proportional Spacing — plus condensed
- LQ ITC Souvenir — 10 and 17 pitch
- LQ Prestige Elite — 12, 15, and 20 pitch
- LQ Helvette Proportional Spacing — plus condensed
- LQ Times Proportional Spacing — plus condensed
- True subscript/superscript
- Italic, bold, enhanced, and doublestrike of all the above electronically possible — for up to 512 typestyle variations

Character Sets

- ASCII standard • 2 sets of 128 user-defined characters
- IBM graphic • 14 international character sets
- Italic

Interface

- Industry-standard parallel
- RS-232C (optional, user-installable)

Input Buffer

- 80K standard

Copy Printing Capacity

- Original and 3 copies

Paper Width/Weight

- 5 to 10 inches/12 to 24 lb. (P5200)
- 5 to 16 inches/12 to 24 lb. (P5300)
- 6.5 to 8.5 inches with sheet feeder (P5200)
- 6.5 to 14 inches with sheet feeder (P5300)

Dimensions

- P5200 — 17.3 W × 14.2 D × 5.7 H (inches)
- P5300 — 22.8 W × 14.2 D × 5.7 H (inches)

Weight

- P5200 — 20 lb.
- P5300 — 26.5 lb.

Administrative Compliances

- UL 478 • FCC Class B
- CSA C22.2

Software Driver Information

P5200 Select P5200 or Epson LQ-2500 series

P5300 Select P5300 or Epson LQ-2500 series

To obtain drivers call the NEC BBS at 508-635-4706 and download the following drivers.

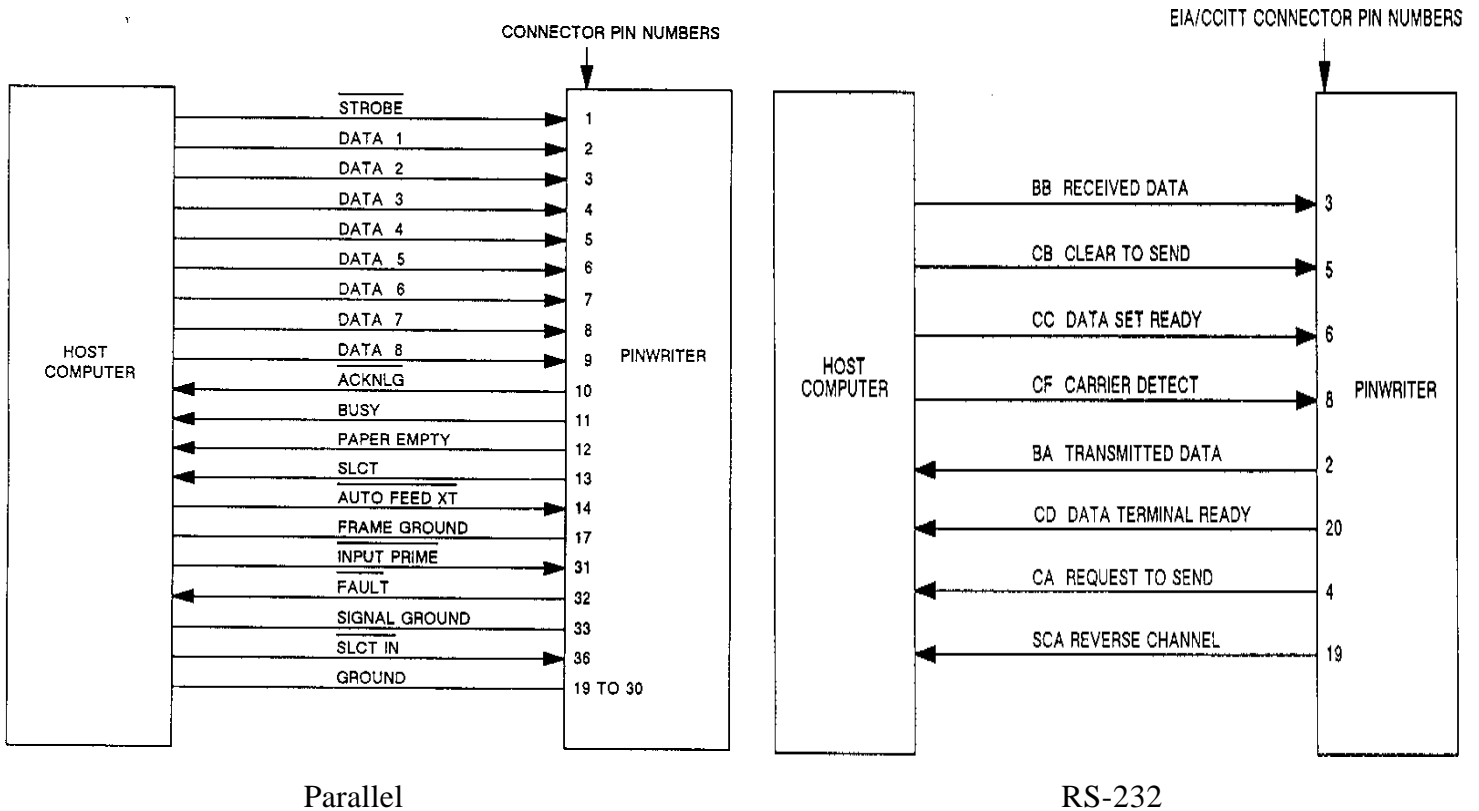
W3PINDRV.EXE Windows 3.0

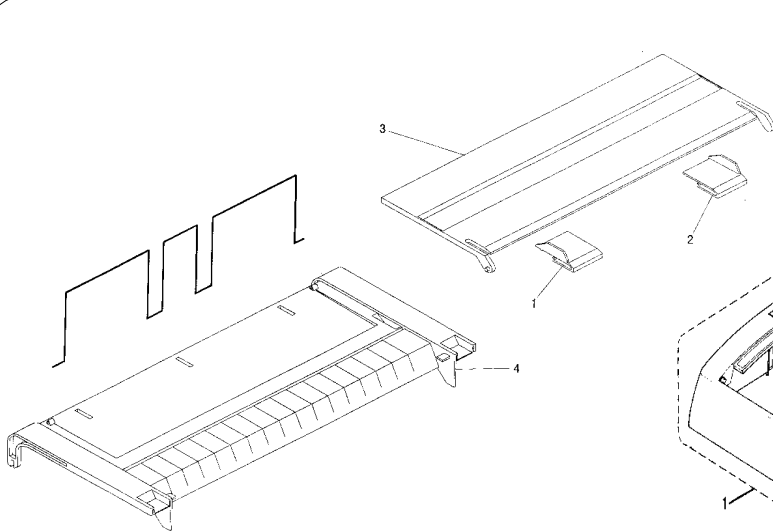
NECP24.EXE Windows 3.1

OS2PIN.EXE OS/2 2.X and Warp

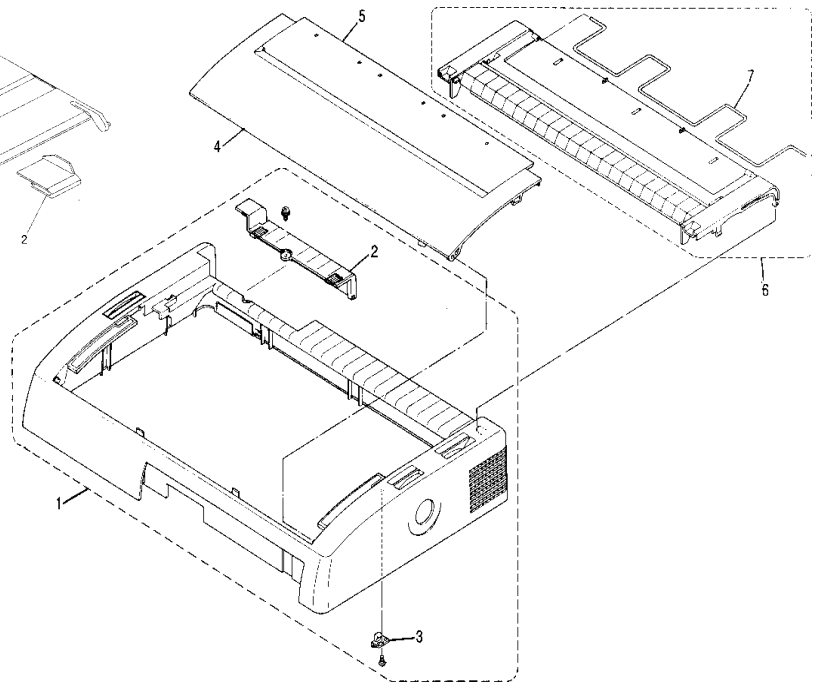
Interface Diagrams and Pin Assignments

Please refer to FastFacts Document 273905 for Serial Cable configurations





P5200 Sheet Guide



P5200 Upper Cover Assy

| ITEM | DESCRIPTION | PART NUMBER |
|------|-------------------------|-----------------|
| 1 | Paper Set Piece (R) | 136-825779-001A |
| 2 | Paper Set Piece (L) | 136-825779-002A |
| 3 | Base Damper | 808-812325-101A |
| 4 | Sheet Guide Subassembly | 136-212389-101A |

| ITEM | DESCRIPTION | PART NUMBER |
|------|-----------------------------|-----------------|
| 1 | Middle Cover Assembly | 136-209751-101A |
| 2 | Interface Cover | 136-824911-001A |
| 3 | Hook | 136-770731-A |
| 4 | Top Cover Assembly | 136-824914-101A |
| 5 | Acrylic Canopy | 136-209749-101A |
| 6 | Rear Cover Assembly | 136-830777-101A |
| 7 | Stay | 136-825780-101A |
| 8 | Cut Sheet Guide (not shown) | 136-212389-101A |

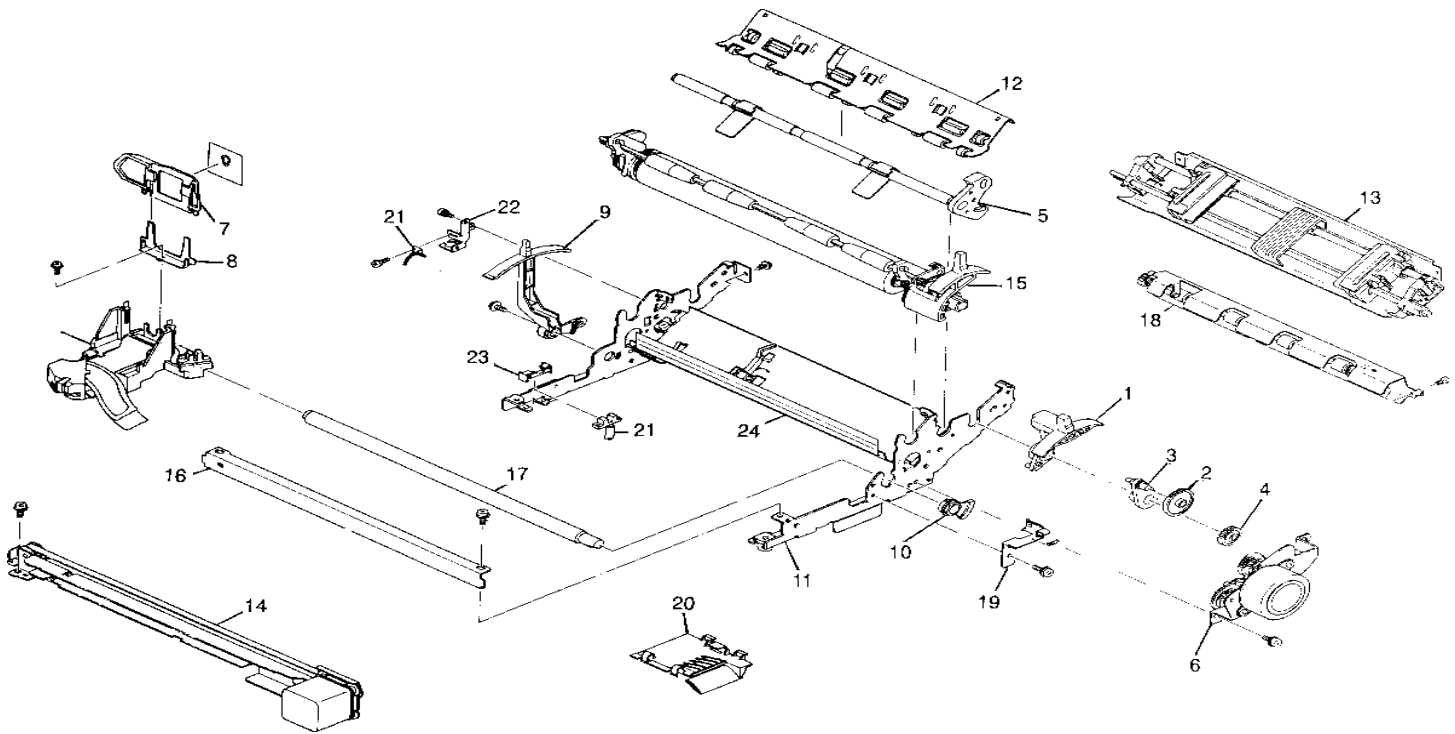
P5300 Sheet Guide

| ITEM | DESCRIPTION | PART NUMBER |
|------|-------------------------|-----------------|
| 1 | Paper Set Piece (R) | 136-825779-001A |
| 2 | Paper Set Piece (L) | 136-825779-002A |
| 3 | Base Damper | 808-812325-201A |
| 4 | Sheet Guide Subassembly | 136-212389-201A |

P5300 Upper Cover Assy

| ITEM | DESCRIPTION | PART NUMBER |
|------|-----------------------|-----------------|
| 1 | Middle Cover Assembly | 136-209751-201A |
| 2 | Interface Cover | 136-824911-001A |
| 3 | Hook | 136-770731-A |
| 4 | Top Cover Assembly | 136-824914-201A |
| 5 | Acrylic Canopy | 136-209749-201A |
| 6 | Rear Cover Assembly | 136-830777-201A |
| 7 | Stay | 136-825780-201A |
| 8 | Cut Sheet Guide | 136-212389-201A |

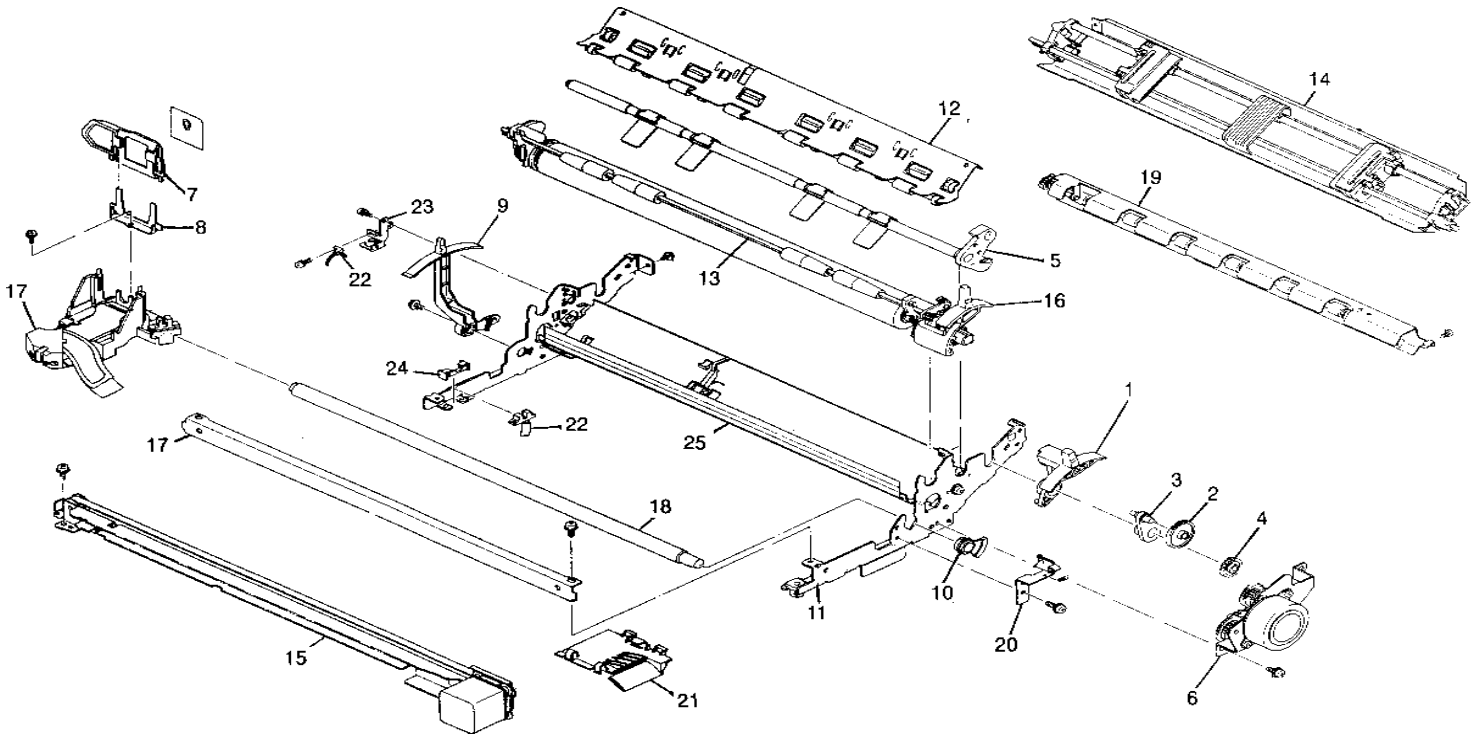
P5200 Mechanism Assy



| ITEM | DESCRIPTION | PART NUMBER |
|------|--------------------------------|-----------------|
| 1 | Release Lever Assembly | 136-824549-001B |
| 2 | LF Idle Gear | 136-824472-001A |
| 3 | Idle Gear Link | 136-824473-001B |
| 4 | Tractor Gear | 136-824474-001B |
| 5 | Release Shaft Assembly | 136-824476-101A |
| 6 | LF Motor Assembly | 136-209719-001C |
| 7 | Card Holder Subassembly | 136-824570-001E |
| 8 | Card Holder Bracket | 136-824648-001A |
| 9 | Copy Control Lever | 136-824484-001B |
| 10 | Eccentric Bushing | 136-824485-001B |
| 11 | Frame Unit | 136-209714-301C |
| | Friction Feeder Sensor (White) | 136-824499-101B |
| | Continuous Forms (Red) | 136-824499-102A |
| 12 | Paper Guide Assembly | 136-209715-101B |
| 13 | Tractor Unit | 136-209718-101B |
| | Tractor Assembly (R) | 808-868140-011A |
| | Tractor Assembly (L) | 808-868140-012A |
| 14 | SP Unit | 136-209720-101C |
| | SP Monitor Assembly | 808-868141-001B |
| | Tension Bracket Assembly | 136-824554-001B |
| | Idler Pulley | 136-824562-001A |
| | Driven Pulley Assembly | 136-824558-001A |
| | Driven Bushing | 808-868150-001A |
| | Timing Belt Subassembly | 136-824678-101A |
| | Tension Spring | 136-824564-002A |

| ITEM | DESCRIPTION | PART NUMBER |
|------|--|-----------------|
| 15 | Carriage Assembly | 136-209725-301C |
| | Feed Gear Subassembly | 136-824645-001B |
| | Carriage Sensor Assembly | 136-824647-001A |
| | Carriage Cable Assembly | 808-868143-101A |
| | Color Cable Assembly | 808-868144-151A |
| 16 | Front Stay | 136-824486-101A |
| 17 | Guide Shaft | 136-824487-101B |
| 18 | Paper Feed Assembly | 136-824651-101A |
| 19 | Bail Push Assembly | 136-824719-001A |
| | Bail Push Spring | 136-824719-001A |
| 20 | Connector Cover | 136-824469-001A |
| 21 | Home Position and Bail Arm Sensor Assembly | 808-857206-001A |
| 22 | Switch Bracket | 136-824502-001B |
| 23 | Sensor Lock Bracket | 136-824493-001A |
| 24 | Rear Stay Assembly with Mylar Strip | 136-824496-101B |

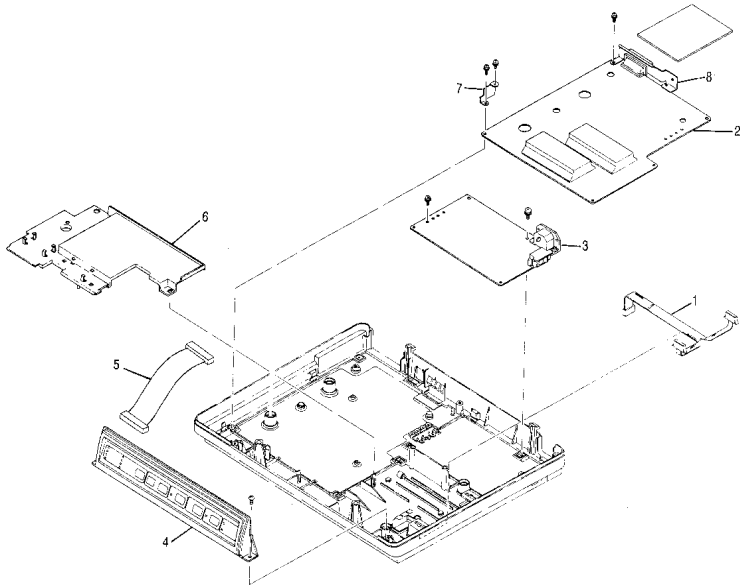
P5300 Mechanism Assy



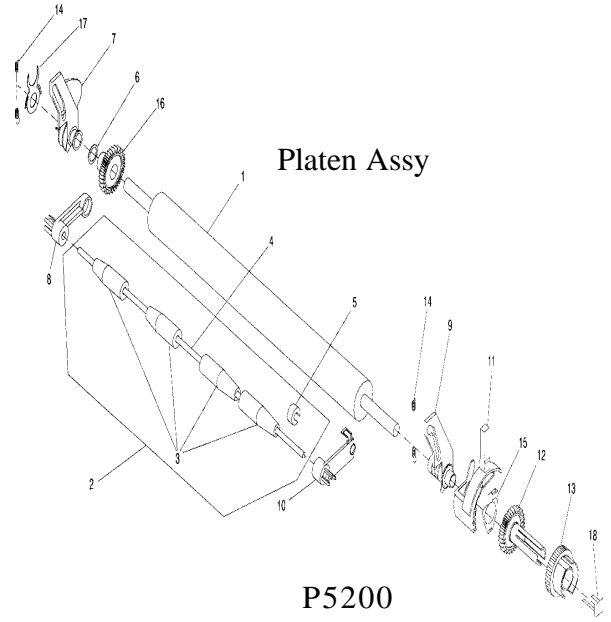
| ITEM | DESCRIPTION | PART NUMBER |
|------|-------------------------------|-----------------|
| 1 | Release Lever Assembly | 136-824549-001B |
| 2 | LF Idle Gear | 136-824472-001A |
| 3 | Idle Gear Link | 136-824473-001B |
| 4 | Tractor Gear | 136-824474-001B |
| 5 | Release Shaft Assembly | 136-824476-201A |
| 6 | LF Motor Assembly | 136-209719-001C |
| 7 | Card Holder Subassembly | 136-824570-001E |
| 8 | Card Holder Bracket | 136-824572-001A |
| 9 | Copy Control Lever | 136-824484-001B |
| 10 | Eccentric Bushing | 136-824485-001B |
| 11 | Friction Feed Sensor (White) | 136-824499-201A |
| | Continuous Forms Sensor (Red) | 136-824499-202A |
| 12 | Paper Guide Assembly | 136-209715-201D |
| 13 | Bail Shaft | 136-824522-201D |
| 14 | Tractor Unit | 136-209718-201B |
| | Tractor Assembly (R) | 808-868140-011A |
| | Tractor Assembly (L) | 808-868140-012A |
| 15 | SP Unit | 136-209720-201C |
| | SP Monitor Assembly | 808-868141-00-B |
| | Tension Bracket Assembly | 136-824554-001B |
| | Idler Pulley | 136-824562-001A |
| | Driven Pulley Assembly | 136-824558-001A |
| | Driven Bushing | 808-868150-001A |
| | Timing Belt Subassembly | 136-824678-201A |
| | Tension Spring | 136-824564-002A |

| ITEM | DESCRIPTION | PART NUMBER |
|------|----------------------------|-----------------|
| 16 | Carriage Assembly | 136-209725-801C |
| | Feed Gear Subassembly | 136-824645-001B |
| | Carriage Sensor Assembly | 136-824647-001A |
| | Carriage Cable Assembly | 808-868143-201A |
| | Color Cable Assembly | 808-868144-251A |
| 17 | Front Stay | 136-824486-201B |
| 18 | Guide Shaft | 136-824487-201B |
| 19 | Paper Feed Assembly | 136-824651-201A |
| 20 | Bail Push Assembly | 136-824719-001A |
| | Bail Push Spring | 136-824717-001A |
| 21 | Connector Cover | 136-824469-001A |
| 22 | Sensor (A) Assembly | 808-857206-001A |
| 23 | Switch Bracket | 136-824502-001B |
| 24 | Sensor Lock Bracket | 136-824493-001A |
| 25 | Rear Stay with Mylar Strip | 136-824496-201B |

P5200/P5300 Control Unit



| ITEM | DESCRIPTION | PART NUMBER |
|------|---|---|
| 1 | Motor Connector Cable (P5200) Motor Connector Cable (P5300) | 808-841589-101A 808-841589-201A |
| 2 | G8ATTA PCB Assembly | 136-434739-001A |
| 3 | Power Supply Assembly, (B) (115V) G8ATW PCB Assembly G8ATR Serial Interface | 808-891067-002A 136-434742-001A 136-209736-001A |
| 4 | Operator Panel | 808-812323-301B |
| 5 | Operator Cable | 808-857197-101A |
| 6 | Protect Cover | 136-824908-001A |
| 7 | FG Plate (2) | 136-832867-002A |
| 8 | Interface Holder | 136-824907-001A |



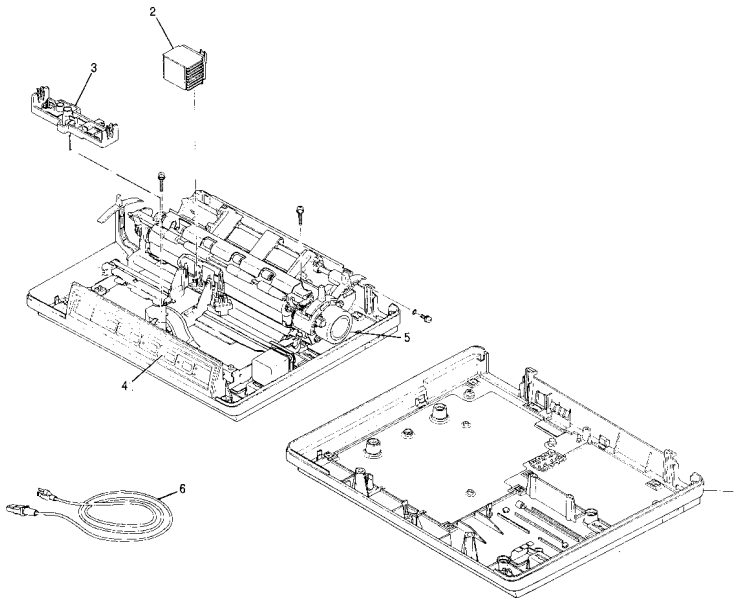
P5200

| ITEM | DESCRIPTION | PART NUMBER |
|------|----------------------|-----------------|
| 1 | Platen | 136-824519-201C |
| 2 | Bail Assembly | 136-824522-201D |
| 3 | Bail Roller Assembly | 136-813383-A |
| 4 | Bail Shaft | 136-824520-201D |
| 5 | Bail Shaft Stopper | 136-824668-001A |
| 6 | Platen Thrust Shim | 136-768495-0 |
| 7 | Platen Bushing (L) | 136-824512-001D |
| 8 | Bail Arm (L) | 136-824516-001C |
| 9 | Platen Bushing (R) | 136-824511-001D |
| 10 | Bail Arm (R) | 136-824515-001B |
| 11 | Bail Lever | 136-824513-001D |
| 12 | Platen Gear | 136-824514-001B |
| 13 | Platen Feed Gear A | 136-824480-001B |
| 14 | Bail Spring | 136-824517-001B |
| 15 | Hook Support | 136-824526-001B |
| 16 | Bail Drive Gear | 136-824672-001A |
| 17 | Switch Retainer | 136-824670-001B |
| 18 | Platen Spacer | 136-824703-071A |

P5300

| ITEM | DESCRIPTION | PART NUMBER |
|------|----------------------|-----------------|
| 1 | Platen | 136-824519-101C |
| 2 | Bail Assembly | 136-824522-101D |
| 3 | Bail Roller Assembly | 136-813383-A |
| 4 | Bail Shaft | 136-824520-101D |
| 5 | Bail Shaft Stopper | 136-824668-001A |
| 6 | Platen Thrust Shim | 136-768495-0 |
| 7 | Platen Bushing (L) | 136-824512-001D |
| 8 | Bail Arm (L) | 136-824516-001C |
| 9 | Platen Bushing (R) | 136-824511-001D |
| 10 | Bail Arm (R) | 136-824515-001B |
| 11 | Bail Lever | 136-824513-001D |
| 12 | Platen Gear | 136-824514-001B |
| 13 | Platen Feed Gear A | 136-824480-001B |
| 14 | Bail Spring | 136-824517-001B |
| 15 | Hook Support | 136-824526-001B |
| 16 | Bail Drive Gear | 136-824672-001A |
| 17 | Switch Retainer | 136-824670-001B |
| 18 | Platen Spacer | 136-824703-071A |

P5200/P5300 Major Assemblies



P5200

| ITEM | DESCRIPTION | PART NUMBER |
|------|----------------------------|------------------|
| 1 | Base Cover Assembly | 136-209746-101-A |
| 2 | Print Head Assembly | 136-209742-002-A |
| 3 | Black Ribbon Base Assembly | 136-209731-001B |
| | Color Ribbon Base Assembly | 136-007186-301A |
| 4 | Control Panel | 808-812323-301B |
| 5 | Platen Knob | 136-824482-002-A |
| 6 | Power Cord (115V) | 808-846004-001-A |
| 7 | Status Reference Card | 136-832870-301-A |

P5300

| ITEM | DESCRIPTION | PART NUMBER |
|------|----------------------------|-----------------|
| 1 | Base Cover Assembly | 136-209746-201A |
| 2 | Print Head Assembly | 136-209742-002A |
| 3 | Black Ribbon Base Assembly | 136-209731-001B |
| | Color Ribbon Base Assembly | 136-007186-301A |
| 4 | Control Unit, 115 Vac | 808-812323-301B |
| 5 | Platen Knob | 136-824482-002A |
| 6 | Power Cord (115V) | 808-846004-001A |
| 7 | Status Reference Card | 136-832870-301A |

Error and Status Codes

Electronic Circuit Errors (Ex)

| VALUE OF X | ERROR DEFINITION |
|------------|---|
| 0 | Check sum error for master firmware ROM |
| 3 | Check sum error for resident CG ROM |
| 4 | RAM check error used for master CPU |
| 8 | Check sum error for ROM of font card |
| C | I/O Port check error |
| E | EEPROM check error |

Mechanical Assembly Errors (Fx)

| VALUE OF X | ERROR DEFINITION |
|------------|--|
| 0 | Carriage movement error during printing |
| 3 | Color ribbon homing error/color change error |
| 4 | Carriage homing error |
| 9 | Sheet feeder paper eject error at power on |

RS-232C Interface Errors (Dx)

| VALUE OF X | ERROR DEFINITION |
|------------|---|
| 0 | Timer check in RS-232C CPU |
| 1 | Check sum error for RS-232C firmware ROM |
| 2 | RAM check error for 8K receive buffer |
| A | Option PCB error (hardware) |
| b | Communication error between option PCB and mother board |

Status Codes

| STATUS CODE | MEANING | CORRECTIVE ACTION |
|---------------|---|--|
| SE | Serial interface error (buffer overflow). | Press the SELECT button. |
| CO | Cover open. | Close the top front cover and press the SELECT button. |
| CE | Cartridge empty. | Replace the multistrike cartridge and press SELECT. |
| PO | Paper out. | Load paper and press the SELECT button. |
| SF | Sheet feeder error. | Remove jammed paper and press the SELECT button. |
| PH | Print head is hot. | Printing resumes automatically when the print head cools down. |
| Cd | Card error (Font card is pulled out while power is on). | Insert card and press SELECT. |
| F1 through F4 | Font 1, 2, 3, or 4 selected on the optional font card. | None. |
| PL | Paper loading error. | Remove cut sheet. |
| Dx | RS-232C interface error. | Call your service representative. |
| Ex | Electronic circuit error. | Call your service representative. |

Control and Escape Codes

| | | | |
|--|------------------------|--|-------------------------------|
| Sheet feeder (controls). | ESC EM(n) | Skip-over perforation function (sets). | ESC N(n) |
| Superscripts or subscripts (selects). | ESC S(n) | Vertical enlargement (selects). | FS V(n) |
| Superscripts and subscripts (cancels). | ESC T | Vertical tabs in tab channels (sets). | ESC b(c)(n1)(n2) (n...)NUL |
| Unidirectional or bidirectional print (selects). | ESC U(n) | Vertical tab channel (sets). | ESC /(n) |
| | | Vertical tabs at every line <i>n</i> (sets). | ESC e 1(n) |
| | | Vertical tabs where <i>n</i> is the line (sets). | ESC B(n1)(n2) (n...)NUL |
| Number of user-defined characters (selects). | FS W(n) | | |
| User-defined character set (selects). | FS X(n) | Graphics | |
| User-defined characters (loads into the user-defined character set). | ESC & (S)(n1)(n) | 8-bit single-density (60 dpi) dot mode (sets). | ESC K(n1)(n2) |
| Miscellaneous | | 8-bit double-density (120 dpi) dot mode (sets). | ESC L(n1)(n2) |
| Color (selects). | ESC r(n) | High density (360 dpi) dot graphics (selects). | FS Z(n1)(n2) |
| Continuous underline (selects or cancels). | ESC -(n) | High speed (120 dpi) double-density dot graphics (selects). | ESC Y(n1)(n2) |
| Control of the eighth data bit (cancels). | ESC # | Quadruple-density (240 dpi) dot graphics (selects). | ESC Z(n1)(n2) |
| Current line of data (cancels). | Cancel (CAN) | Selected-density dot graphics (prints). | ESC *(m)(n1)(n2) |
| Data (repeats <i>n</i> times). | ESC V(n) | Character Sets | |
| Decimal locations 128 to 159 (sets as control codes). | ESC 7 | Active character set (copies to the user-defined character set). | ESC : (NUL)(NUL) (NUL) |
| Decimal locations 128 to 159 (sets as characters). | ESC 6 | Graphics mode (assigns to anyone of the four other graphics commands). | ESC ?(s)(m) |
| Deletes preceding character. | Delete (DEL) | Internal or user-defined character set (selects). | ESC %(n) |
| Eighth data bit (sets to 0). | ESC = | Italic or IBM character set (selects). | ESC t(n) |
| Eighth data bit (sets to 1). | ESC > | Italic or IBM character set (selects). | FS I(n) |
| End of repeated data (indicates). | ESC V NUL | Language character set (selects). | ESC R(n) |
| Font card (selects). | FS C(n) | | |
| Initialization to default values. | ESC @ | Print head (moves a specific distance in either direction). | ESC \ (n1)(n2) |
| Initialization to default values. | FS @ | Print head (moves one space to the right). | SP |
| Justification (selects). | ESC a(n) | Print head (moves <i>n</i> columns after printing data in buffer). | ESC f O(n) |
| Printer (places in active state). | Device Control 1 (DC1) | Print head (returns to the left side of the printer). | ESC < |
| Printer (places in inactive state). | Device Control 3 (DC3) | Right margin (sets). | ESC Q(n) |
| Printhead (returns to the left side of the printer). | ESC < | Vertical Spacing | |
| Print Styles | | Forward line feed (selects). | FS F |
| 10 cpi printing mode (selects). | ESC P | Line spacing (sets 8 lines per inch). | ESC 0 |
| 12 cpi printing mode (selects). | ESC M | Line spacing (sets at <i>n</i> /360 lines per inch). | FS 3(n) |
| 12 cpi printing mode (selects). | FS S(n) | Line spacing (sets 6 lines per inch). | ESC 2 |
| 15 cpi printing mode (selects). | ESC g | Line spacing (sets <i>n</i> /60 lines per inch). | ESC A(n) |
| Any print style or combination (selects). | ESC !(n) | Line spacing (sets <i>n</i> /180 lines per inch). | ESC 3(n) |
| Condensed printing mode (selects). | ESC SI | Page length (advances paper one page). | Form Feed (FF) |
| Condensed printing mode (cancels). | Device Control 2 (DC2) | Page length (sets at <i>n</i> inches per page). | ESC C NUL(n) |
| Condensed printing mode (selects 17 or 20 cpi). | Shift In (SI) | Page length (sets at <i>n</i> lines per page). | ESC C(n) |
| Double-strike printing mode (selects). | ESC G | Paper (advances one line). | Line Feed (LF) |
| Double-strike printing mode (cancels). | ESC H | Paper (advances <i>n</i> /180-inch). | ESC J(n) |
| Draft or letter quality printing mode (selects). | ESC x(n) | Paper (advances to the next preset vertical tab). | Vertical Tab (VT) |
| | | Paper (reverses <i>n</i> /180-inch). | ESC j(n) |
| | | Paper (advances <i>n</i> lines after printing data in buffer). | ESC f 1(n) |
| | | Reverse line feed (selects). | FS R |
| | | Skip-over perforation function (cancels). | ESC O |

Control and Escape Codes (Cont'd)

| | |
|--|------------------------|
| Elongated printing mode (cancels). | Device Control 4 (DC4) |
| Elongated printing mode (selects or cancels). | ESC W(n) |
| Enhanced printing mode (selects). | ESC E |
| Enhanced printing mode (cancels). | ESC F |
| Half-speed (quiet mode) or full-speed printing mode (selects). | ESC s(n) |
| Italic printing mode (selects). | ESC 4 |
| Italic printing mode (cancels). | ESC 5 |
| One-line elongated printing mode (selects). | ESC SO |
| One-line elongated printing mode (selects). | Shift Out (SO) |
| Printing style (selects). | ESC k(n) |
| Proportional spacing mode (selects). | ESC p(n) |

Horizontal Spacing

| | |
|--|-------------------------|
| Backspace. | Backspace (BS) |
| Character spacing (sets). | ESC SP(n) |
| Horizontal enlargement (selects). | FS E(n) |
| Horizontal tabs at every column <i>n</i> (sets). | ESC e 0(n) |
| Horizontal tabs where <i>n</i> is the column (sets). | ESC D(n1)(n2) (n...)NUL |
| Left margin (sets). | ESC 1(N) |
| Print head (advances to the next preset horizontal tab). | Horizontal Tab (HT) |
| Print head (moves to an absolute horizontal position). | ESC \$(n1)(n2) |
| Print head (moves to the left margin). | Carriage Return (CR) |

Memory Switch Settings

To enter this mode hold down the Select Button while turning the printer on.

MAIN MENU

1. PRINT MODE SETTINGS
2. FORM SETTINGS
3. HORIZONTAL SETTINGS
4. INTERFACE SETTINGS
5. PRINT ALL CURRENT SETTINGS
6. SAVE & EXIT
7. TEST PRINT
8. HEX DUMP
99. EXIT WITHOUT SAVING

PLEASE ENTER NO. ?

"PITCH" button increases display value
 "QUIET" button decreases display value
 "SELECT" button enters selection no.

PRINT ALL CURRENT SETTINGS

PRINT MODE SETTINGS

1. 12 PITCH DRAFT SPEED
[HIGH SPEED] NORMAL
2. PRINT STYLE AT POWER UP
[ITC SOUVENIR 10]
3. LANGUAGE CHAR SETS
[USA] FRA GER ENG DM1 SWD ITL SPA
JPN NOR DM2 NET TUK SP2 L.A.
4. CHAR SETS (Italic or IBM)
ITALIC [IBM(R)/STD]
5. SHAPE OF ZERO
[0] Ø
6. GRAPHICS PRINT DIRECTION
[UNIDIRECTIONAL] BIDIRECTIONAL
7. DOWNLOAD CHAR SETS
[TWO 128 CHAR SETS] ONE 256 CHAR SET
8. HEAVY DUTY CHECK
[ON] OFF

FORM SETTINGS

1. FORM LENGTH
IN LINES OF 6LPI [66] 1 -- 99
IN INCHES 3" 3.5" 4" 5.5" 6" 7"
8" 8.5" [11"] 11-2/3" 12" 14"
2. SKIP OVER PERFORATION
[OFF] ON
3. LINES PER INCH
3LPI 4LPI [6LPI] 8LPI
4. CR FUNCTION
[CR ONLY] CR+LF
5. LF FUNCTION
[CR+LF] LF ONLY
6. BUFFER FULL AUTO LINE FEED
[ON] OFF
7. LOAD/TEAR OFF
1 INCH [SHORT ADJ.]
8. PULL TRACTOR MODE
[OFF] ON

HORIZONTAL SETTINGS

1. LEFT MARGIN COLUMN
CURRENT COLUMN PITCH = 10 CPI
[1] 1 -- 80
2. HORIZONTAL ALIGNMENT LG
1 2 3 4 [5] 6 7 8 9
3. HORIZONTAL ALIGNMENT DR
1 2 3 4 [5] 6 7 8 9
4. CARRIAGE STOP POSITION
[NORMAL] LEFT MARGIN

INTERFACE SETTINGS

1. BUFFER CAPACITY
[80KB (NO DL)] 48KB*
(*:SELECT 48KB IF "dL" ERROR OCCURS)
2. 7 OR 8 BIT DATA
[8BIT] 7BIT
3. DC1/DC3
[DISABLE] ENABLE
4. MODE
[PARALLEL] SERIAL
5. BAUD RATE
150 300 600 1200 2400 4800 [9600] 19200
6. WORD LENGTH
[8BIT] 7BIT
7. PARITY CHECK
[NONE] ODD EVEN
8. DCD, CTS, DSR SIGNALS
[CHECKED] IGNORED
9. COMMUNICATION PROTOCOL
[X-ON/X-OFF] ETX/ACK X-ON/X-OFF REPETITION
10. READY/BUSY CONTROL
[PIN 19,20] PIN 19
11. READY POLARITY
[HIGH] LOW