



82C925 OPTiFM Synthesis and Plug-and-Play 16-Bit Sound Controller

The OPTi 82C925 is a highly-integrated digital audio controller for PC sound applications. The 82C925 is a drop-in replacement for the OPTi Plug-and-Play 82C924 audio controller that combines all of the features of the 82C924 along with built-in advanced OPTiFM synthesis technology.

The Plug-and-Play (PnP) standard minimizes device conflicts by allowing the I/O address, IRQ and DMA settings to be automatically allocated from available system resources, rather than being selected by the user. Either the system BIOS, if it supports PnP, or operating system maps the various logical devices within the 82C925 into the host system address space, as well as configuring the DMA and IRQ settings.

The 82C925 supports six logical devices: audio devices; including Sound Blaster™ Pro, Windows Sound System™, and FM Synthesis; game port; MPU-401 MIDI interface; IDE CD-ROM interface; modem interface; and 82C925 master control.

The 82C925 also provides front panel, push-button volume control, modem interface, and external serial EEPROM for further customization.

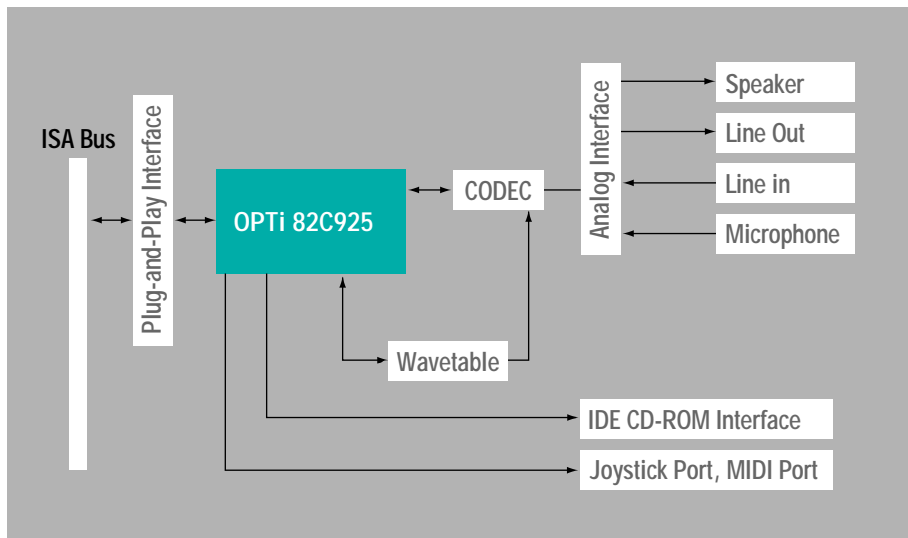
The 82C925 16-bit Sound Controller provides all of the digital functions and interfaces for Sound Blaster Pro-compatible and Microsoft Windows Sound System-compatible cards. The 82C925 is intended to provide an integrated audio solution for business audio, educational/entertainment sound and multimedia applications.

Features

- Sound Blaster Pro & Microsoft Windows Sound System compatible
- Advanced OPTiFM music synthesizer with 22-voice, 52 operator synthesis, OPL3 backward-compatible
- Microsoft Plug-and-Play compatible, supports six logical devices
 - Sound Blaster Pro, Windows Sound System and OPL3
 - MPU-401 MIDI interface
 - CD-ROM interface
 - Joystick/Game Port
 - Modem
 - 82C925 control
- Ad Lib Compatible
- ADPCM compression
- 8 or 16-bit sound data
 - Sound Blaster Pro 8-bit audio up to 44.1KHz stereo
 - Windows 8/16-bit audio up to 48KHz stereo
- Built-in MPU-401 MIDI compatible port
- Built-In Joystick/Game Port
- Direct AT bus driving capabilities without additional buffers
- Power-down mode for low-power notebook applications
- OPL4 and Wave Blaster upgrade for wave table synthesis
- Multiple CD-ROM drive interfaces (IDE, Sony, Panasonic, Mitsumi)



System Block Diagram



- Programmable I/O port, IRQ and DMA
- All interfaces are software programmable including
 - I/O Address
 - IRQ
 - DRQ
- Silence mode to turn off all audio functions
- Volume control push-button interface
- Supports external serial EEPROM to allow easy OEM customization
- External Modem chip set interface
- 100 pin package
- 16-bit sound quality Sound Blaster Pro and Windows Sound System compatible card
- 22 voice FM synthesis
- 16-bit CD-quality WAVE audio up to 48KHz stereo
- IDE CD ROM interface
- Game port
- MPU-401 and Sound Blaster MIDI interface
- OPL4 or other wave table synthesis upgrade

Applications

Together with a 16-bit Codec, such as Crystal Semiconductor 4231 or Analog Devices 1845, the 82C925 provides an integrated solution for the following applications:

- 16-bit sound quality Sound Blaster Pro and Windows Sound System compatible card
- 22 voice FM synthesis
- 16-bit CD-quality WAVE audio up to 48KHz stereo
- IDE CD ROM interface
- Game port
- MPU-401 and Sound Blaster MIDI interface
- OPL4 or other wave table synthesis upgrade

Representatives & Distributors

UNITED STATES

Alabama/Mississippi
Concord Component Reps
tel: 205-772-8883
fax: 205-772-8262

California
Jones & McGeoy Sales
tel: 714-724-8080
fax: 714-724-8090

Florida
Engineered Solutions Ind. Inc.
tel: 305-784-0078
fax: 305-781-7722

Georgia
Concord Component Reps
tel: 404-416-9597
fax: 404-441-0790

Illinois
Micro-Tex, Inc.
tel: 708-885-8200
fax: 708-885-8210

Massachusetts
S-J New England
tel: 617-272-5552
fax: 617-272-5515

Michigan

Jay Marketing
tel: 313-459-1200
fax: 313-459-1697

New Jersey
S-J Associates, Inc.
tel: 609-866-1234
fax: 609-866-8627

New York
S-J Associates, Inc.
tel: 516-536-4242
fax: 516-536-9638

North & South Carolina
Concord Component Reps
tel: 919-846-3441
fax: 919-846-3401

Ohio/W. Pennsylvania
Lyons Corp.
tel: 513-278-0714
fax: 513-278-3609

Lyons Corp.
tel: 216-659-9224
fax: 216-659-9227

Lyons Corp.
tel: 614-895-1447
fax: Same

Virginia

S-J Associates, Inc.
tel: 703-533-2233
fax: 703-533-2236

Wisconsin
Micro-Tex, Inc.
tel: 414-542-5352
fax: 414-542-7934

INTERNATIONAL

Australia
Braemac Pty. Ltd.
tel: 61-2-550-6600
fax: 61-2-550-6377

China
Legend Electronic Components, Ltd.
tel: 852-2776-7708
fax: 852-2652-2301

France
Tekelec Airtronic, France
tel: 33 (1) 46-23-24-25
fax: 33 (1) 45-07-21-91

India
Spectra Innovation
tel: 91-80-558-8323/3977
fax: 91-80-558-6877

Korea

Woo Young Tech Co., Ltd.
tel: (02) 369-7099
fax: (02) 369-7091

Singapore
Instep Microsolutions Pte Ltd.
tel: 65-741-7507
65-741-7530
fax: 65-741-1478

South America
Uniao Digital
tel: 55-11-536-4121
fax: 55-11-533-6780

Sales Offices

HEADQUARTERS

OPTi Inc.
888 Tasman Drive
Milpitas, CA 95035
tel: 408-486-8000
fax: 408-486-8001
www: <http://www.opti.com/>

Japan
OPTi Japan KK
tel: + 81-3-5454-0178
fax: + 81-3-5454-0168

Taiwan
OPTi Inc.
tel: + 886-2-325-8520
fax: + 886-2-325-6520

United Kingdom & Europe
OPTi Inc.
tel: + 44-1-869-321-622
fax: + 44-1-869-241-448

UNITED STATES

Northern California
OPTi Inc.
tel: 408-486-8000
fax: 408-486-8001

Southern California
OPTi Inc.
tel: 714-838-0589
fax: 714-838-9753

Florida
OPTi Inc.
tel: 407-395-4555
fax: 407-395-4554

Texas
OPTi Inc.
tel: 713-257-1854
fax: 713-257-1825

