



## 82C941 Advanced Wavetable Synthesizer

The 82C941 Advanced Wavetable Synthesizer creates high-quality, accurate, realistic musical sound. All the music synthesis algorithms are preset to generate the most realistic acoustic sound, and many of the control parameters can be customized during the creation of the music according to General MIDI specifications.

Also, the built-in proprietary decompression algorithm, along with Advanced Time-variable Filter and Amplitude (ATFA) control technique, provides compressed sound memory without degrading quality.

The 82C941 is an ideal device for musical instrument, Karaoke machine, MIDI module, and PC sound card applications.

### Features

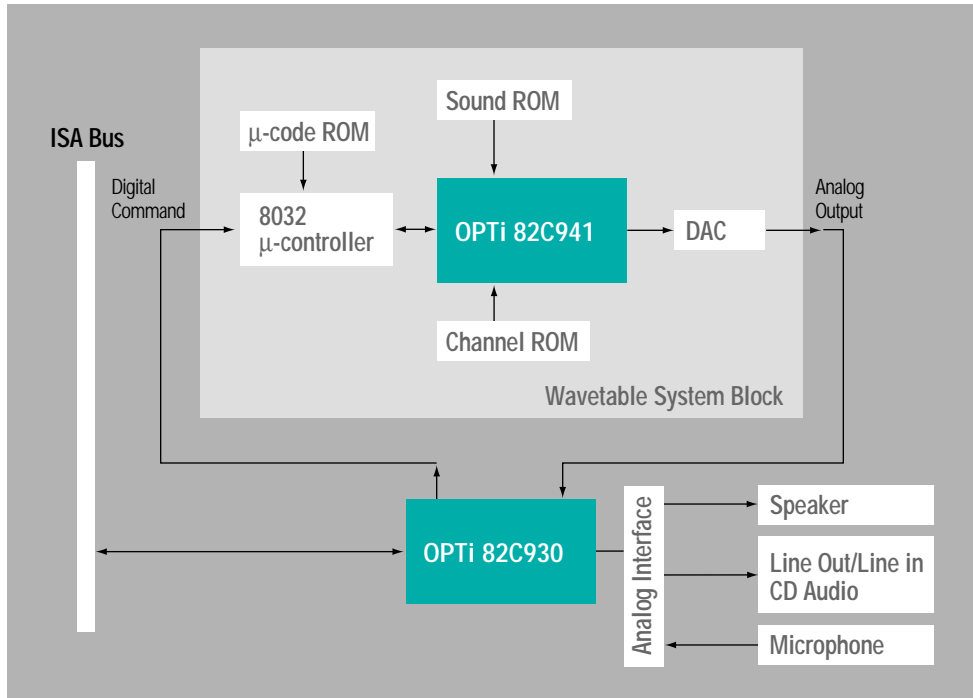
- Variable sampling rate
- Vibrato with LFO

- Interface to 8-bit microprocessors
- On-chip control signals for many popular 16 or 18-bit DACs
- 32 polyphonic playback at 44.1KHz
- Advance Time-variable Filter and Amplitude (ATFA) control
- Subtractive sound synthesis
- Built-in power management
- Built-in CPU data memory and interface TTL
- Dynamic voice assignment
- Supports up to 16Mx8 sampling memory
- 100 pin CMOS QFP package
- Fat Man™ Certified



# 82C941 Advanced Wavetable Synthesizer

## System Block Diagram



## Representatives & Distributors

### UNITED STATES

**Arizona/New Mexico**  
Excel USA  
tel: 602-829-8820  
fax: 602-967-2658

**Alabama/Mississippi**  
Concord Component Reps  
tel: 205-772-8883  
fax: 205-772-8262

**California**  
Brooks Technical Group  
tel: 415-960-3880  
fax: 415-960-3615

Excel USA  
tel: 619-587-0545  
fax: 619-587-1380

Mones & McGeoy Sales  
tel: 714-724-8080  
fax: 714-724-8090

**Colorado/Utah**  
Excel USA  
tel: 303-649-1800  
fax: 303-649-1818

**Georgia**  
Concord Component Reps  
tel: 404-416-9597  
fax: 404-441-0790

### Illinois

Micro-Tex, Inc.  
tel: 708-885-8200  
fax: 708-885-8210

### Massachusetts

S-J New England  
tel: 617-272-5552  
fax: 617-272-5515  
Jay Marketing  
tel: 313-459-1200  
fax: 313-459-1697

### New Jersey

S-J Associates, Inc.  
tel: 609-866-1234  
fax: 609-866-8627

### New York

S-J Associates, Inc.  
tel: 516-536-4242  
fax: 516-536-9638

### North & South Carolina

Concord Component Reps  
tel: 919-846-3441  
fax: 919-846-3401

### Ohio/W. Pennsylvania

Lyons Corp.  
tel: 513-278-0714  
fax: 513-278-3609

Lyons Corp.  
216-659-9224  
fax: 216-659-9227

Lyons Corp.  
tel: 614-895-1447  
fax: Same

### Oregon

Electronic Component Sales  
tel: 503-245-2342  
fax: 503-520-0767

### Virginia

S-J Associates, Inc.  
tel: 703-533-2233  
fax: 703-533-2236

### Washington/Canada (B.C.)

Electronic Component Sales  
tel: 414-542-5352  
fax: 206-232-1095

### Wisconsin

Micro-Tex, Inc.  
tel: 414-542-5352  
fax: 414-542-7934

### INTERNATIONAL

#### Australia

Braemac Pty. Ltd.  
tel: 61-2-550-6600  
fax: 61-2-550-6377

#### France

Tekelec Airtronic, France  
tel: 33 (1) 46-23-24-25  
fax: 33 (1) 45-07-21-91

#### Japan

Dia Semicon Systems  
tel: 045-476-7410  
fax: 045-476-7411

#### Korea

Woo Young Tech Co., Ltd.  
tel: 65-741-7507  
fax: (02) 369-7091

#### Singapore

Instep Microsolutions Pte Ltd.  
tel: 65-741-7507  
65-741-7530  
fax: 65-741-1478

#### South America

Uniao Digital  
tel: 55-11-536-4121  
fax: 55-11-533-6780

## Sales Offices

### HEADQUARTERS

OPTi Inc.  
888 Tasman Drive  
Milpitas, CA 95035  
tel: 408-486-8000  
fax: 408-486-8001  
www: <http://www.opti.com/>

### Japan

OPTi Japan KK  
tel: +81-3-5454-0178  
fax: +81-3-5454-0168

### Taiwan

OPTi Inc.  
tel: +886-2-325-8520  
fax: +886-2-325-6520

### United Kingdom & Europe

OPTi Inc.  
tel: +44-1-869-321-622  
fax: +44-1-869-241-448

### UNITED STATES

#### Northern California

OPTi Inc.  
tel: 408-486-8000  
fax: 408-486-8001

#### Southern California

OPTi Inc.  
tel: 714-838-0589  
fax: 714-838-9753

#### Florida

OPTi Inc.  
tel: 407-395-4555  
fax: 407-395-4554

#### Texas

OPTi Inc.  
tel: 713-257-1854  
fax: 713-2571825

