

The joystick port on the CT1350 is identical to that on the standard PC game control adapter or game I/O port. The port can connect any analog joystick with a 15-pin D-Sub connector and support all standard PC joystick compatible software. Remember, if your PC already has a game card or port, either remove it or disable the game port on the CT1350 card by removing jumper JP8. Disabling the joystick port does not affect its use as a MIDI port.

If you need to run two joysticks, a joystick splitter Y-cable is available.

CAUTION: Using Y-cables obtained from other sources may not work.

MIDI KIT

The dual joystick port and MIDI port takes up only one slot in your PC leaving room for other cards. To access the MIDI function requires the optional MIDI Kit. The MIDI Kits contains a MIDI adapter with a joystick port so you can use both a joystick and a MIDI instrument.

The MIDI Kit alone does not complete the list for a MIDI setup. You still need software. The FM Intelligent Organ, bundled with this package, supports the MIDI keyboard. You can play the computer keyboard as well as the MIDI keyboard.

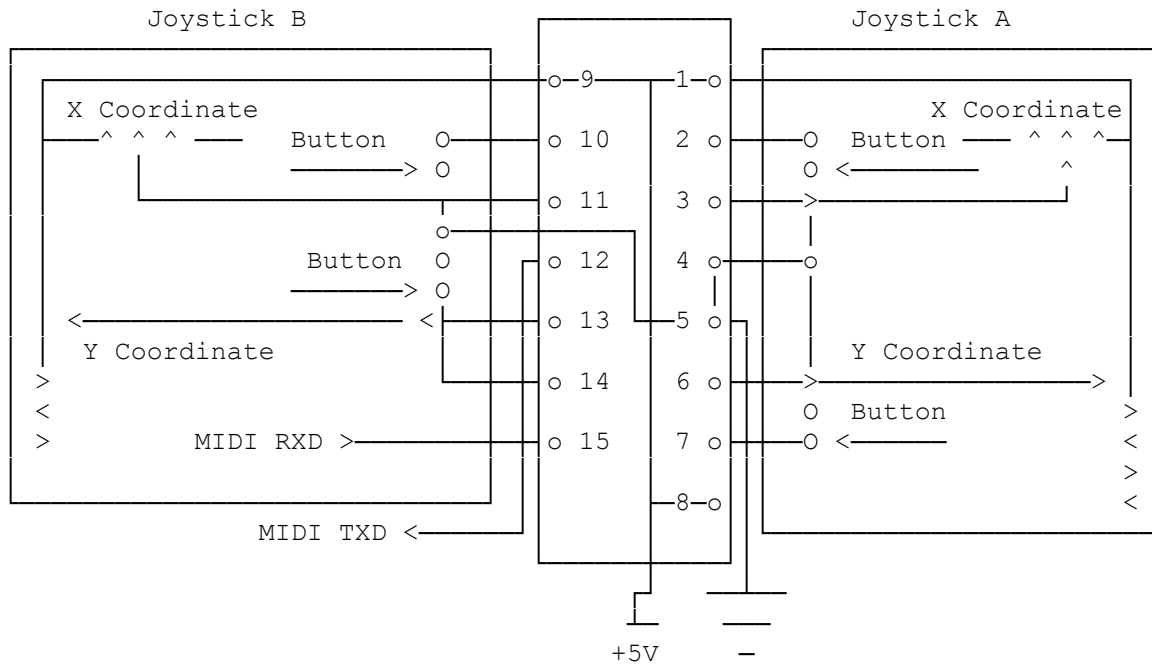


Figure 5: Joystick Schematic Diagram

(SMC/all-07/14/94)