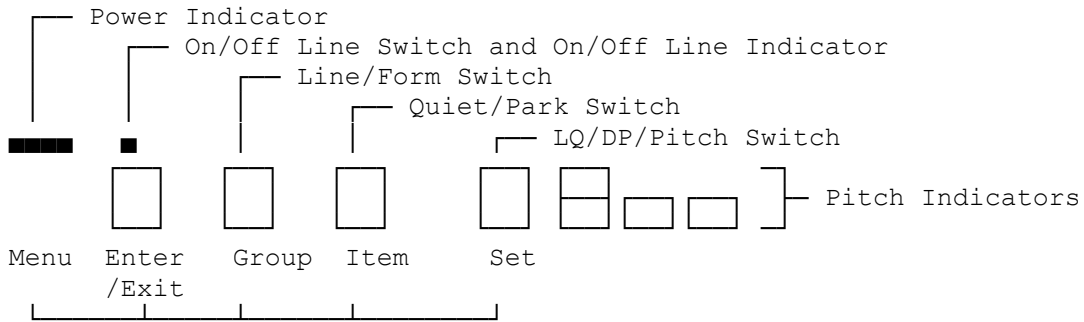


This printer has no DIP switches; instead, it has non-volatile memory. Whether the printer is turned on or off, it remembers various printer settings.

Each of the four buttons on the control panel functions as it is labeled. These buttons are defined as follows:



**Setting the Menu:**

**ON/OFF LINE** - Press and hold while turning on power to enter the menu setting mode. Press to exit the menu setting mode and return to on-line mode.

**LINE/FORM** - Press to advance the program through a list of groups. Once through the entire list of groups, the program repeats the list.

**QUIET/PARK** - Press to advance through items within a group. Once through the entire list of items, the program repeats the list.

**LQ/DP/PITCH** - Press to advance through sets within an item. Once through the entire list of sets, the program repeats the list.

**NOTE:** Load the printer with 8-by-inch paper because the menu setting mode prints on the paper.

1. Turn the printer on while pressing [ON/OFF LINE]. If the printer is already on, set the printer to on-line mode. Then, while pressing [ON/OFF LINE], press [LINE/FORM]. This sets the printer to menu setting mode.

Regardless of previous settings, the print out of the menu settings is done in the LQ font and 12 CPI pitch. The corresponding indicators light. Note that before the menu setting mode is entered, the printer prints out "MENU PRINT" automatically.

**NOTE:** When you exit the menu setting mode, the font remains LQ and the pitch changes to 10 CPI. Be sure to change the setting as necessary.

2. Press [GROUP] (LINE/FORM). The current setting of the first item (Type Face) of the first group (Font) prints.
3. Referring to the switch functions above, check/change the setting(s) as necessary.

We recommend that you print out all the settings and keep the list handy so you can refer to it at anytime. Press [GROUP], then press [ITEM] as many times as necessary to print all the items under the group. Then, press [GROUP] to advance and print the next group setting. Or, to print the current menu settings, turn the printer off and then turn it back on again while pressing [ON/OFF LINE].

4. Press [ENTER/EXIT] (ON/OFF LINE) to exit the menu mode. This stores the new setting into non-volatile memory. Once set, this information is kept in memory even if you unplug the printer.

Press [ON/OFF LINE] and [LQ/DP PITCH] simultaneously while turning on the printer to reset the menu back to its factory settings.