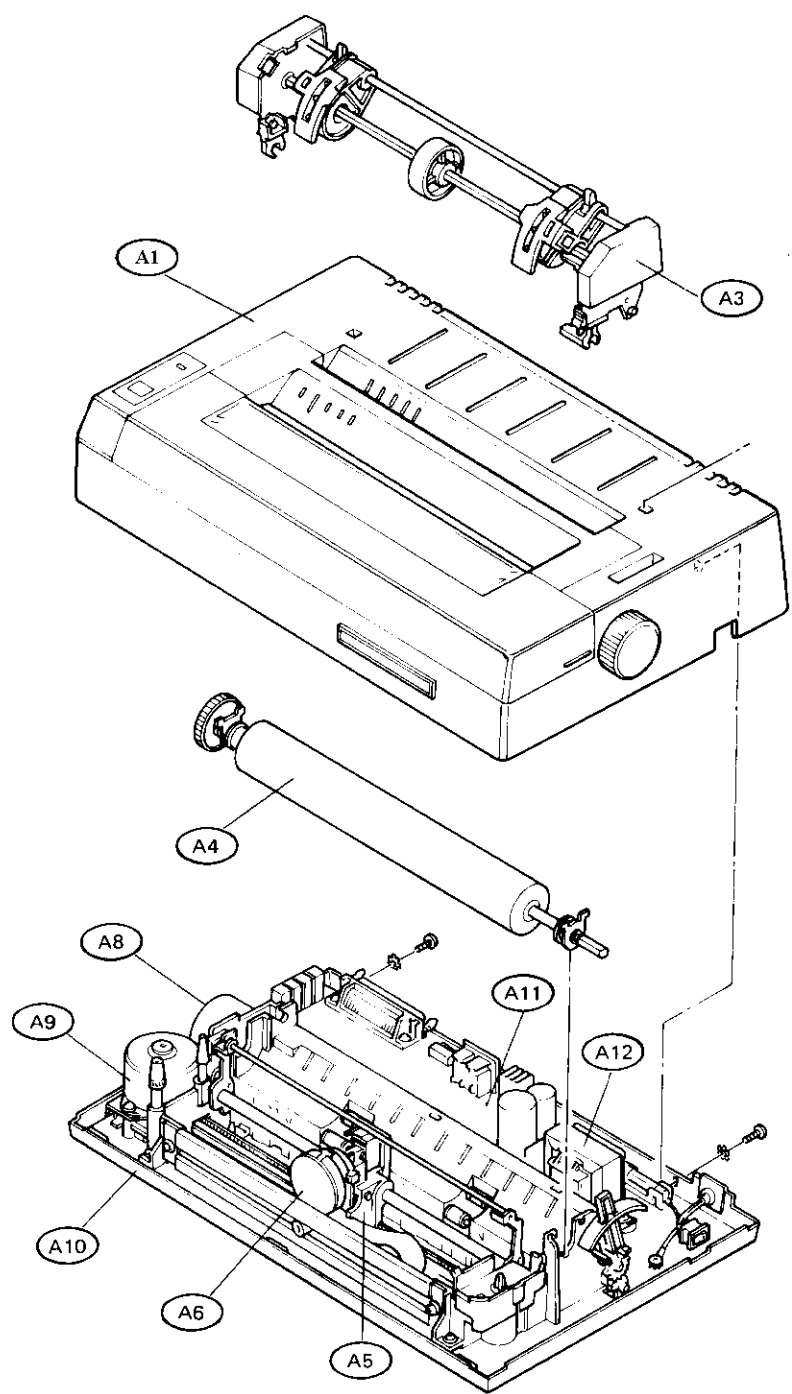


DMP-106 PRINTER ASSY.
(260-2802)
FAXBACK DOC # 10353



PRINTER
SUBASSEMBLY