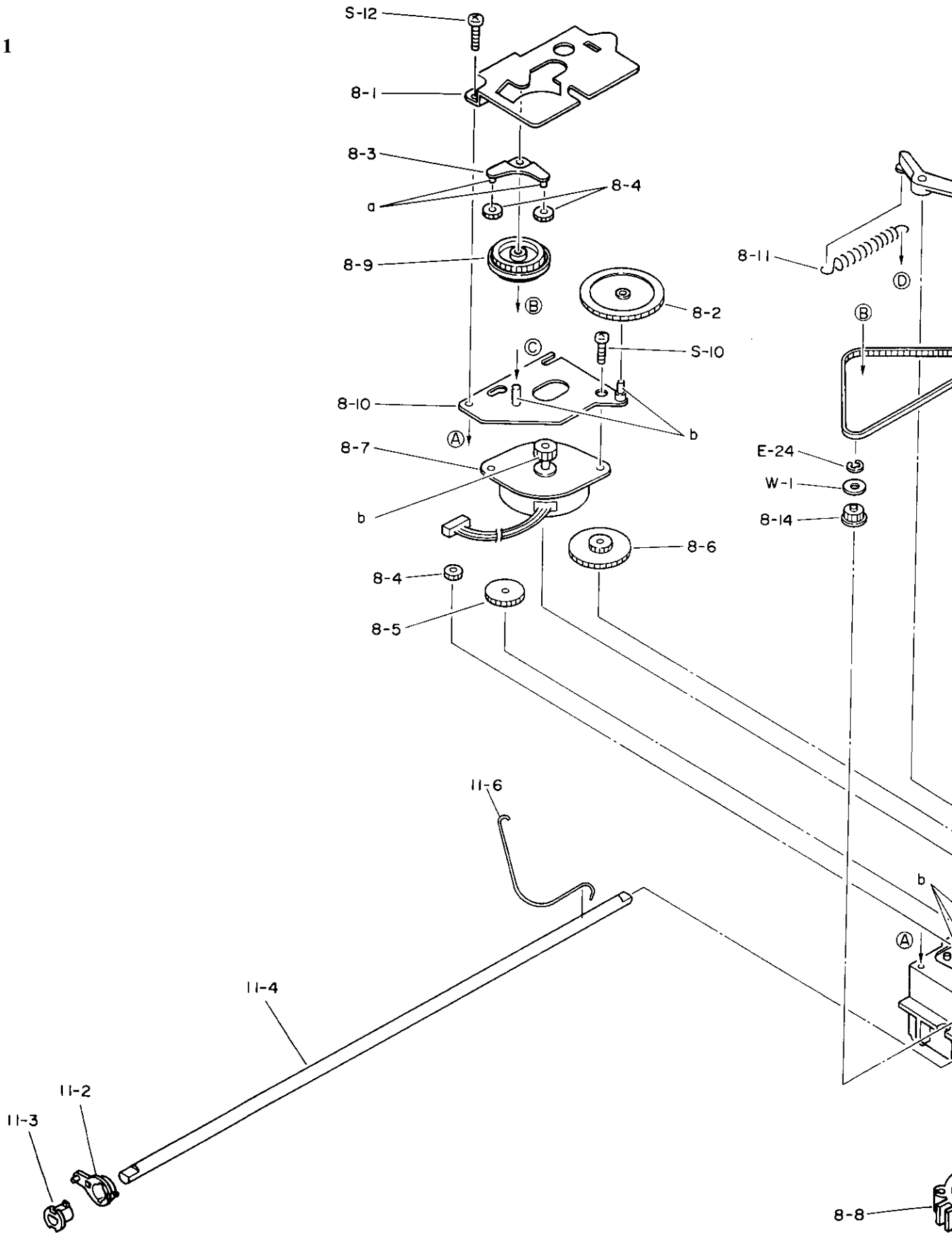


SHEET # 1



DMP-310 DOT MATRIX PRINTER

VIEW # 2 (260-2876)

FAXBACK DOC # 10574

SHEET # 2

