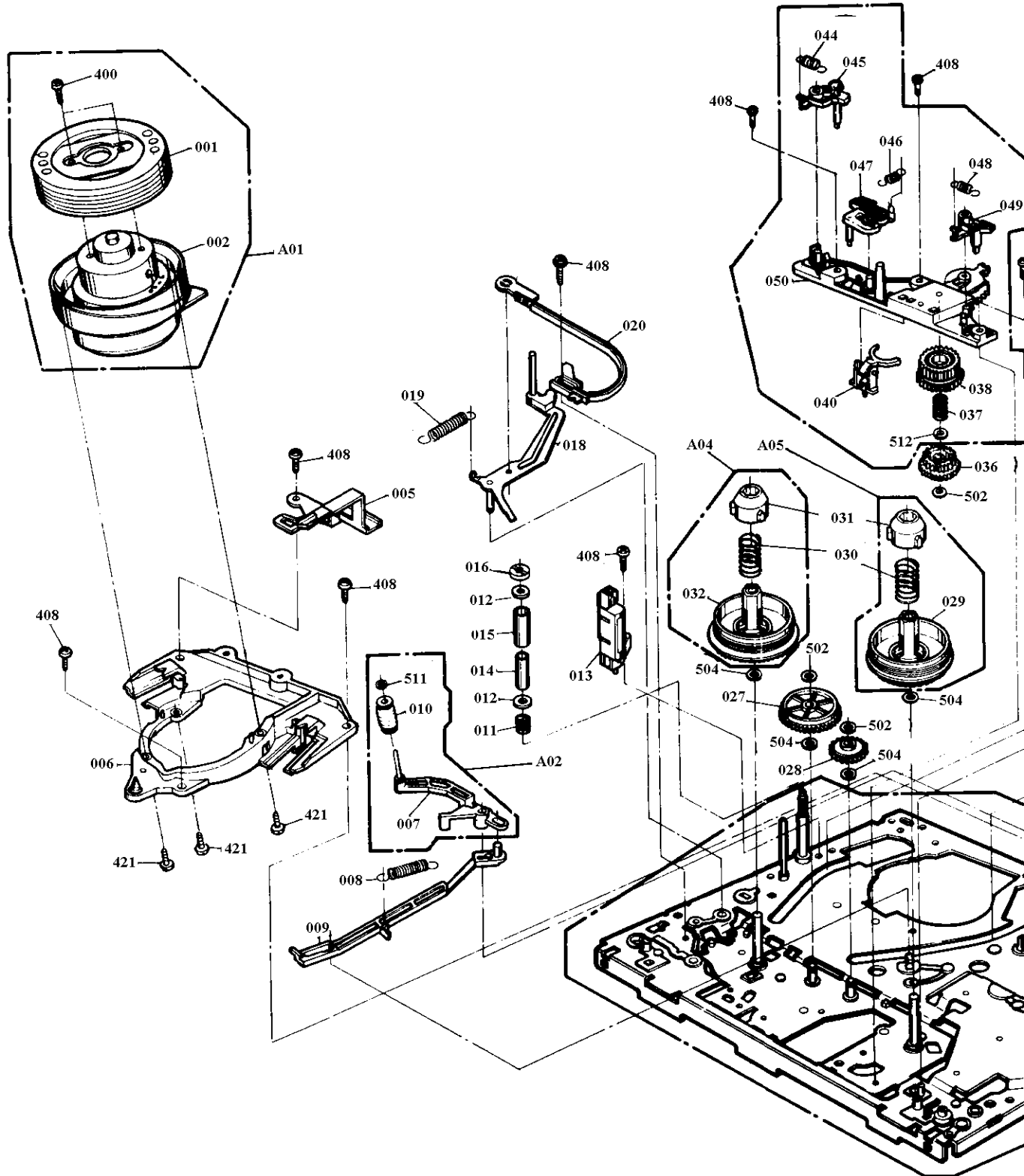


13-INCH TVCR MOVING
MECHANISM I SHEET # 1 (160-0415)
FAXBACK DOC # 10752



13-INCH TVCR MOVING
MECHANISM I SHEET # 2 (160-0415)
FAXBACK DOC # 10752

