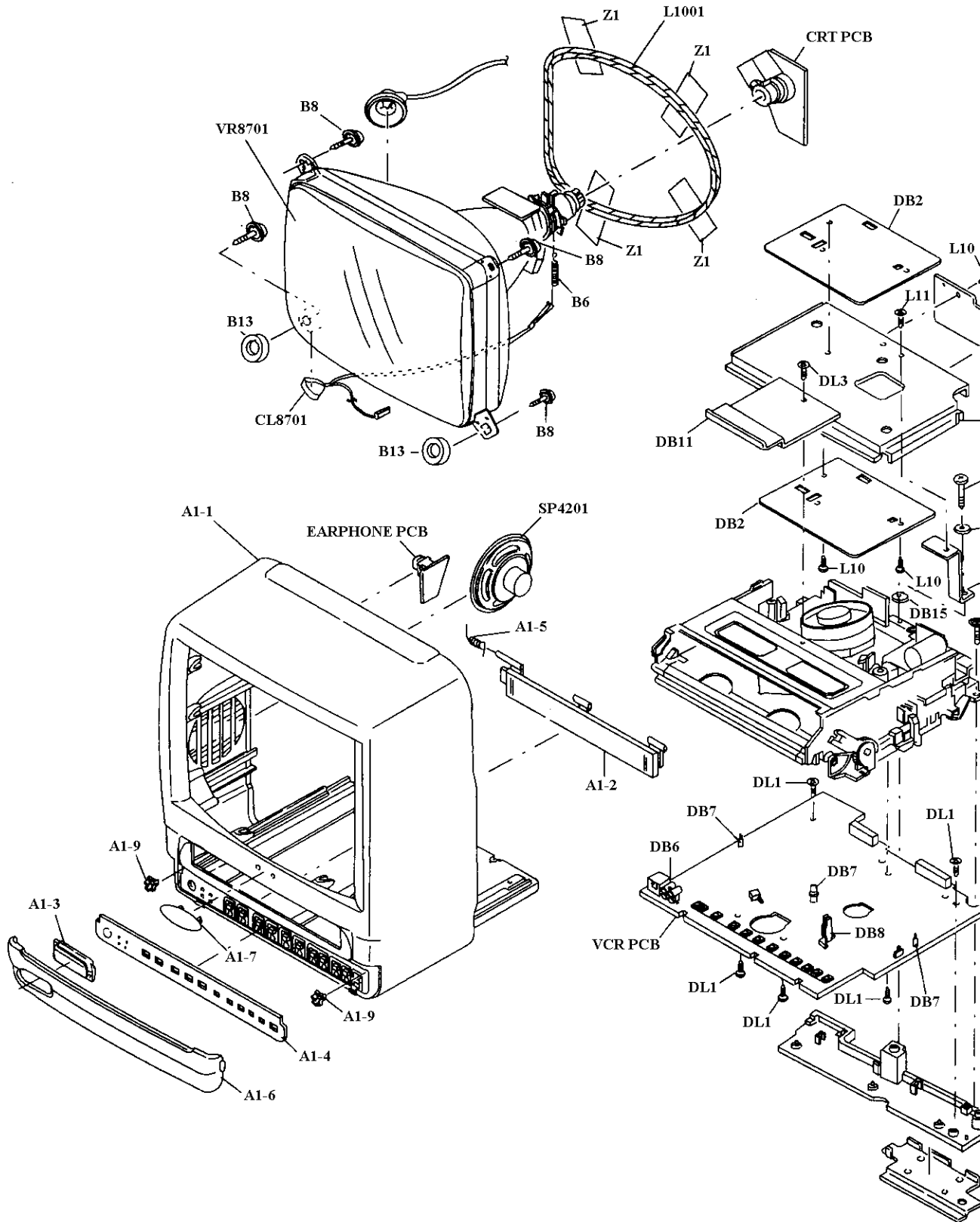


**MODEL 25 9-INCH COLOR  
TV/VCR COMBINATION  
CABINET SHEET # 1 (160-0417)  
FAXBACK DOC # 10755**



**MODEL 25 9-INCH COLOR  
TV/VCR COMBINATION  
CABINET SHEET # 2 (160-0417)  
FAXBACK DOC # 10755**

