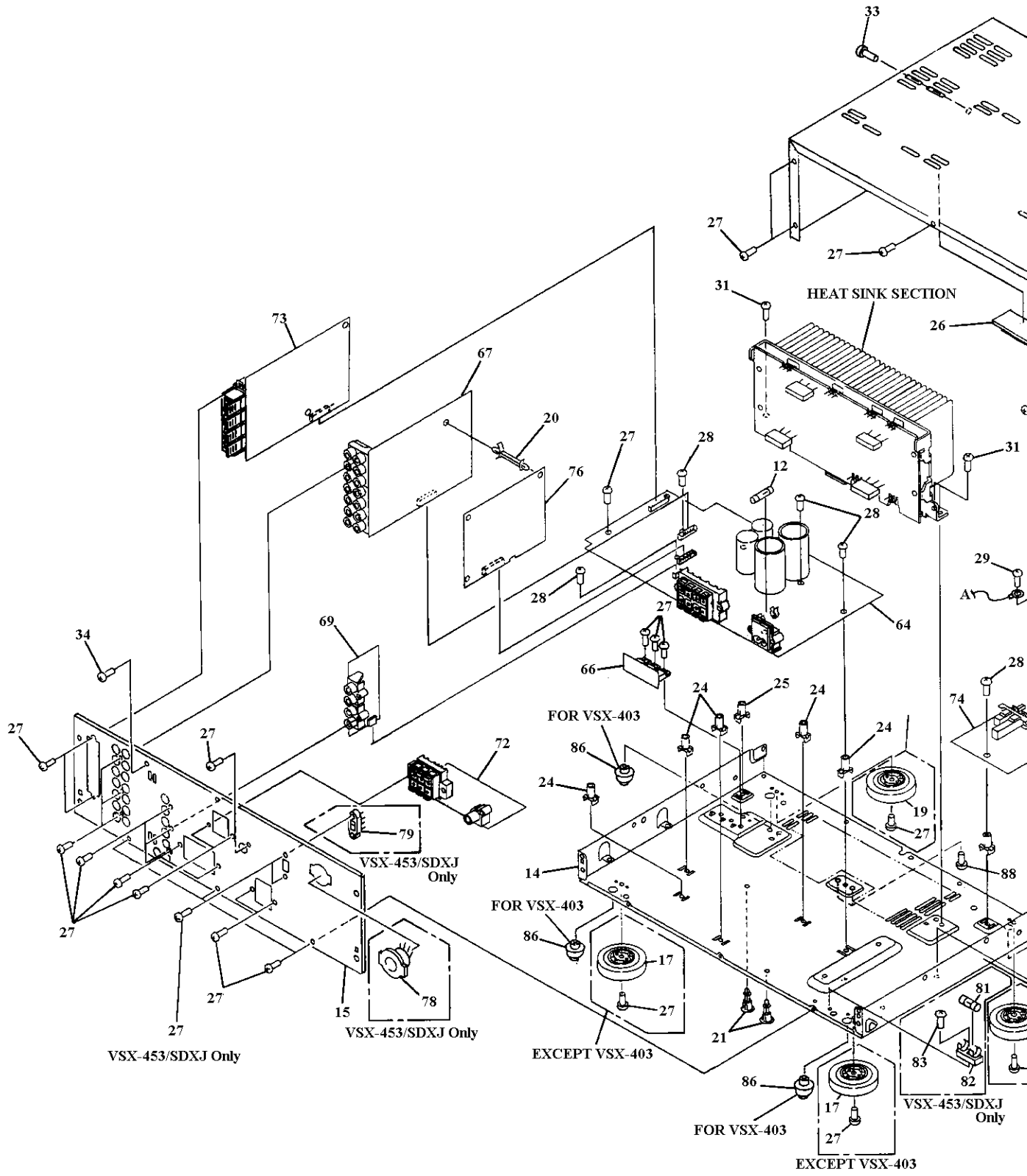


**MODEL STAV-3350 DIGITAL  
SYNTHESIZED AUDIO/VIDEO  
SURROUND RECEIVER  
SHEET # 1 (310-3030)  
FAXBACK DOC # 10810**



**MODEL STAV-3350 DIGITAL  
SYNTHESIZED AUDIO/VIDEO  
SURROUND RECEIVER  
SHEET # 2 (310-3030)  
FAXBACK DOC # 10810**

