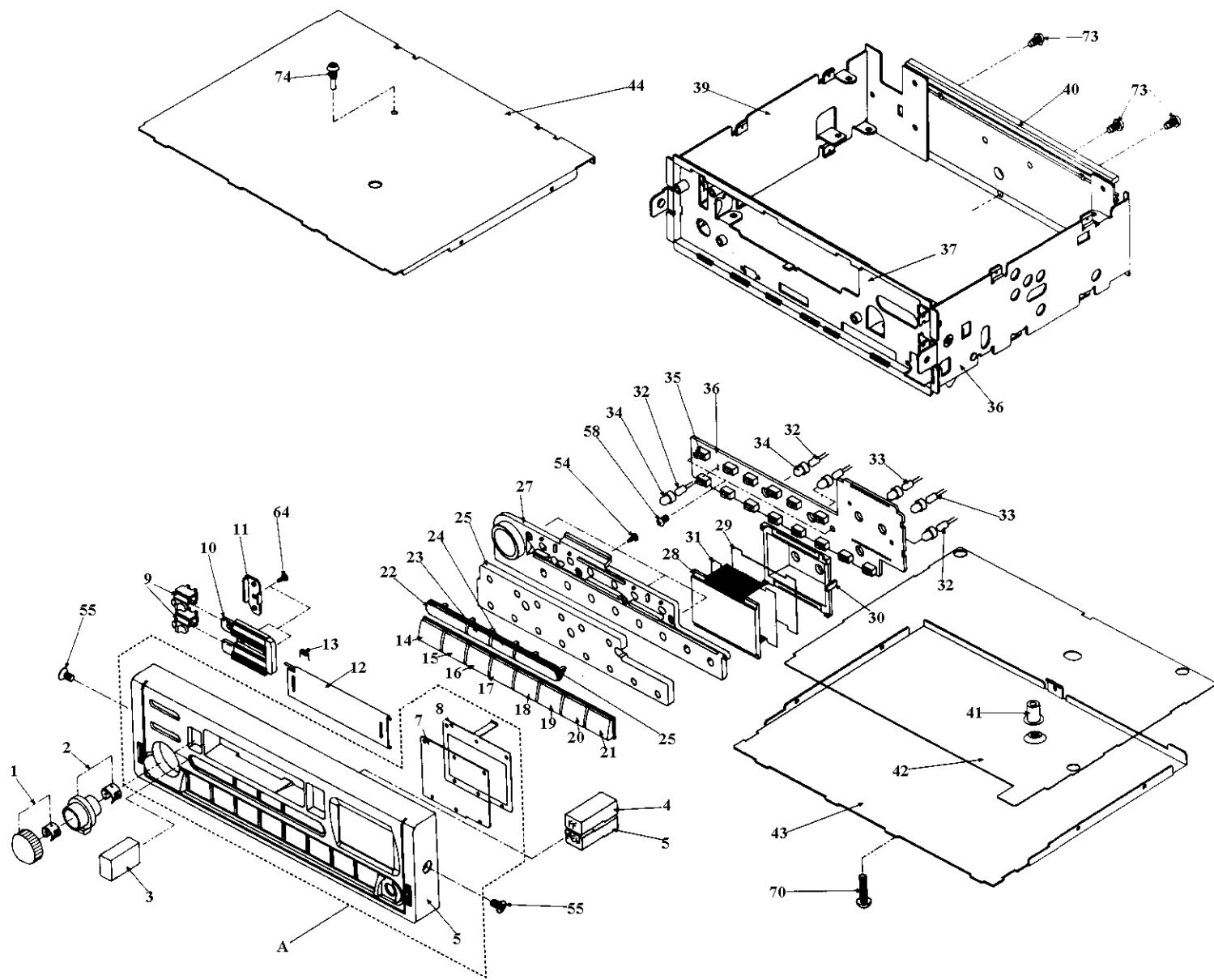


**AM/FM STEREO CAR
CASSETTE PLAYER
CABINET SHEET # 1 (120-1945A)
FAXBACK DOC # 10900**



AM/FM STEREO CAR
CASSETTE PLAYER
CABINET SHEET # 2 (120-1945A)
FAXBACK DOC # 10900

