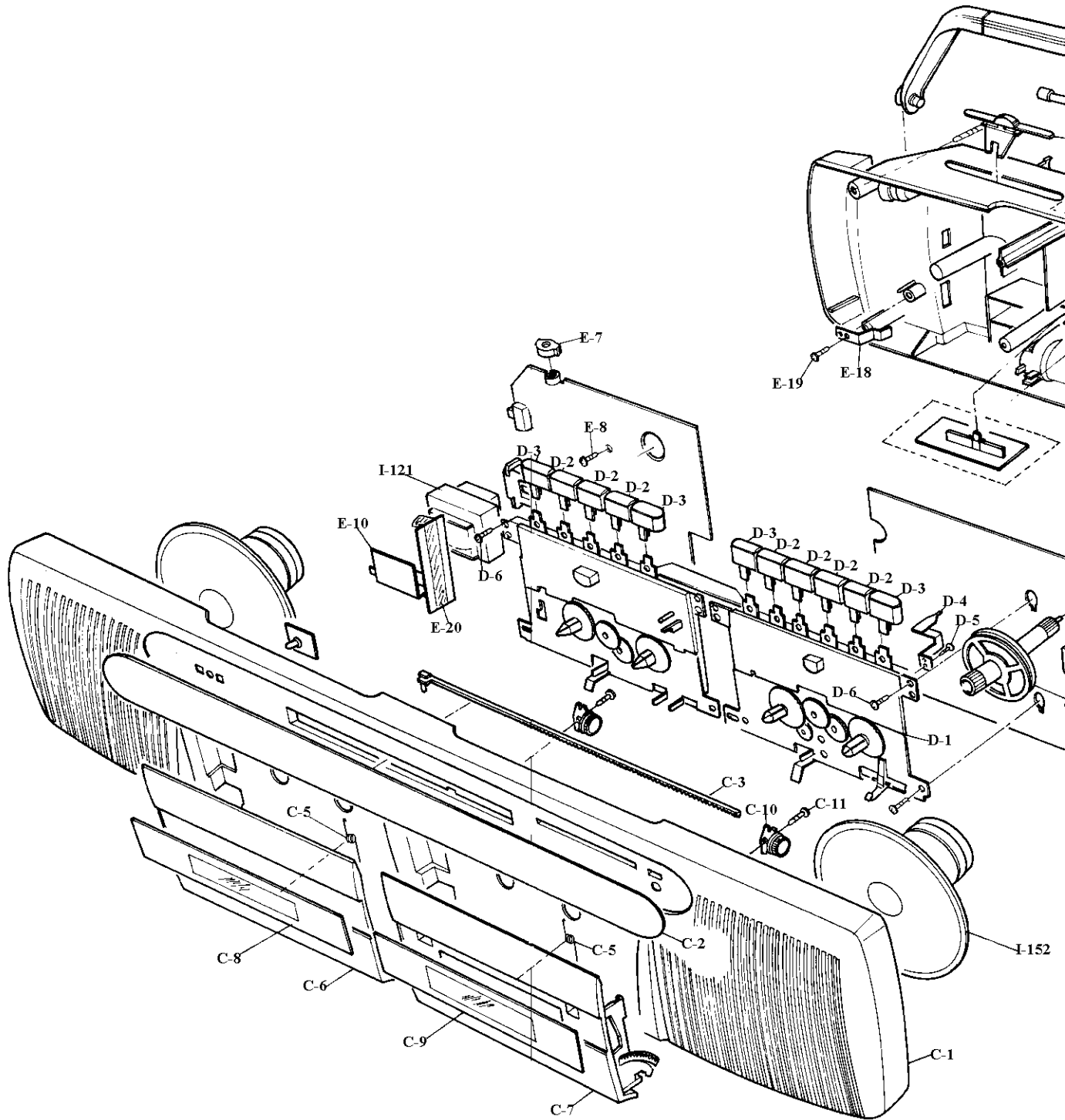


SCR-23 AM/FM STEREO DUAL
CASSETTE RECORDER
CABINET SHEET # 1 (140-0761A)
FAXBACK DOC # 11006



SCR-23 AM/FM STEREO DUAL
CASSETTE RECORDER
CABINET SHEET # 2 (140-0761A)
FAXBACK DOC # 11006

